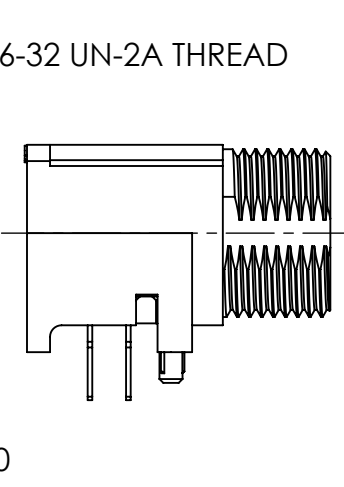
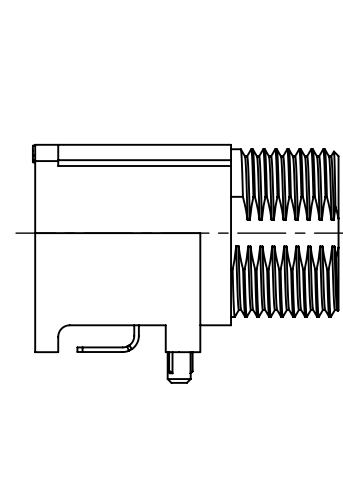


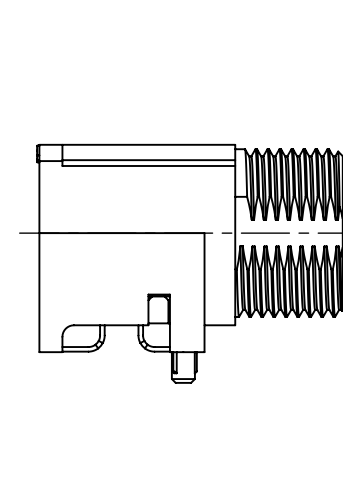
**THRU HOLE TERMINATION  
SINGLE ROW  
(3 & 4 PIN)**



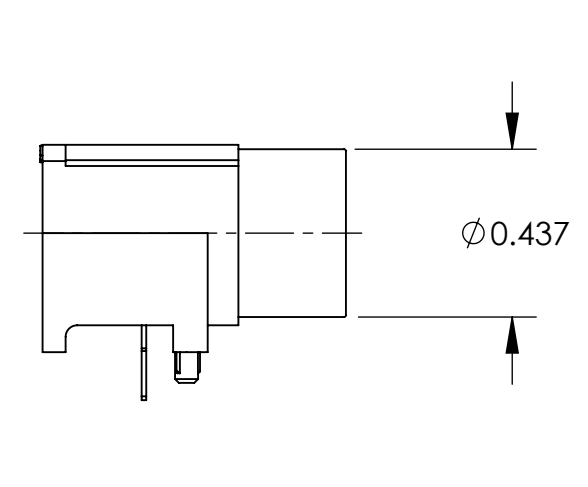
**THRU HOLE TERMINATION  
DOUBLE ROW  
(5, 6, 7, & 8 PIN)**



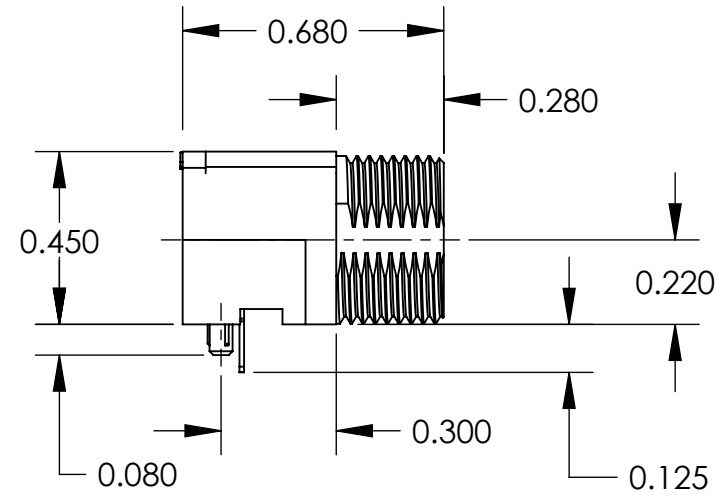
**SURFACE MOUNT TERMINATION  
SINGLE ROW  
(3 & 4 PIN)**



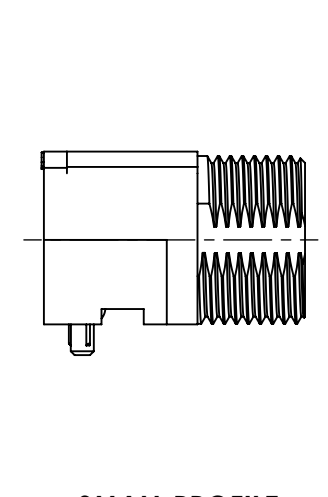
**SURFACE MOUNT TERMINATION  
DOUBLE ROW  
(5, 6, 7, & 8 PIN)**



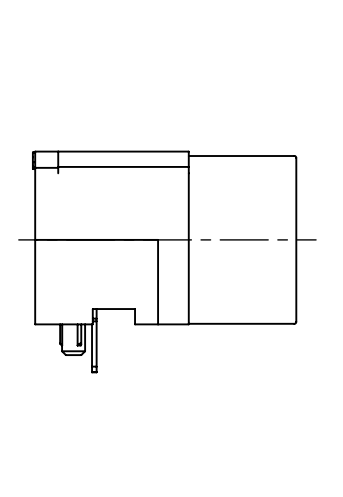
**NO THREAD OPTION  
(SINGLE ROW THRU HOLE SHOWN)**



**SMALL PROFILE  
THRU HOLE TERMINATION**



**SMALL PROFILE  
SURFACE MOUNT TERMINATION**



**SMALL PROFILE  
NO THREAD OPTION  
(THRU HOLE SHOWN)**

**TRAPC3MS1T15X**

TINI QG

RIGHT ANGLE

TERMINATION

PC = THRU HOLE  
SM = SURFACE MOUNT

CONTACT CONFIGURATION

3 THRU 8

CONTACT GENDER

M = MALE

RoHS COMPLIANT

REEL SIZE

OPTIONAL PACKAGING

TR = TAPE AND REEL  
(STD PACKAGING - BULK)

OPTIONAL MODIFIER

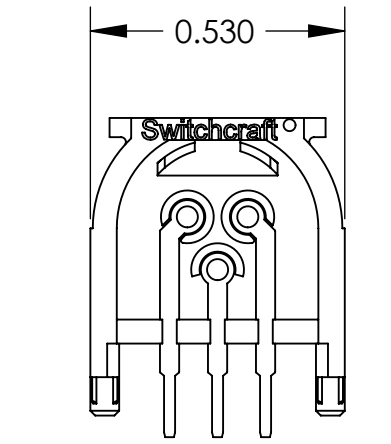
1 = NO THREAD

OPTIONAL MODIFIER

S = SMALL PROFILE  
(AVAILABLE IN CONFIGURATIONS 3 & 4 ONLY)

- NOTES:
1. THREADED CONNECTORS SUPPLIED WITH HEX NUT AND WASHER.
  2. MATERIALS:  
HOUSING - HIGH GRADE THERMOPLASTIC.  
CONTACTS AND TERMINALS - BRASS, TIN PLATED.  
NUT AND WASHER - BRASS, NICKEL PLATED.
  3. THIS PRODUCT IS RoHS COMPLIANT.

**CUSTOMER DRAWING**



**REAR VIEW  
(3 PIN - THRU HOLE SHOWN)**

REV	ECO NUMBER	DATE	BY	APVD
C	27093	2-7-13	TO	TJK
B	26682	5-19-11	TS	TJK
A	26066	7-8-06	TJK	TJK

REVISIONS

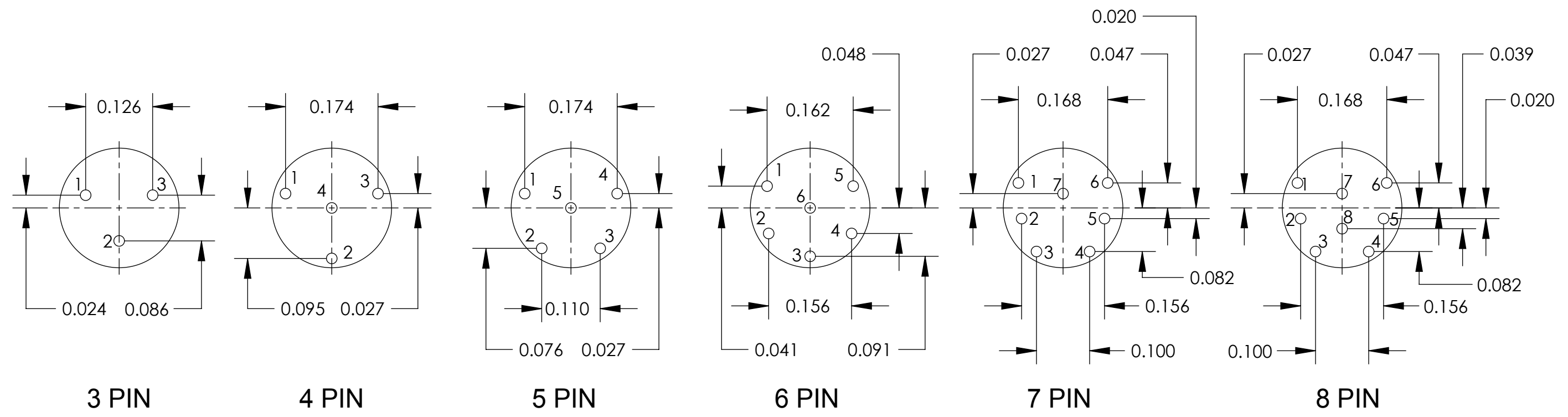
★ STAR SYMBOL DENOTES CRITICAL DIMENSION

UNLESS OTHERWISE SPECIFIED

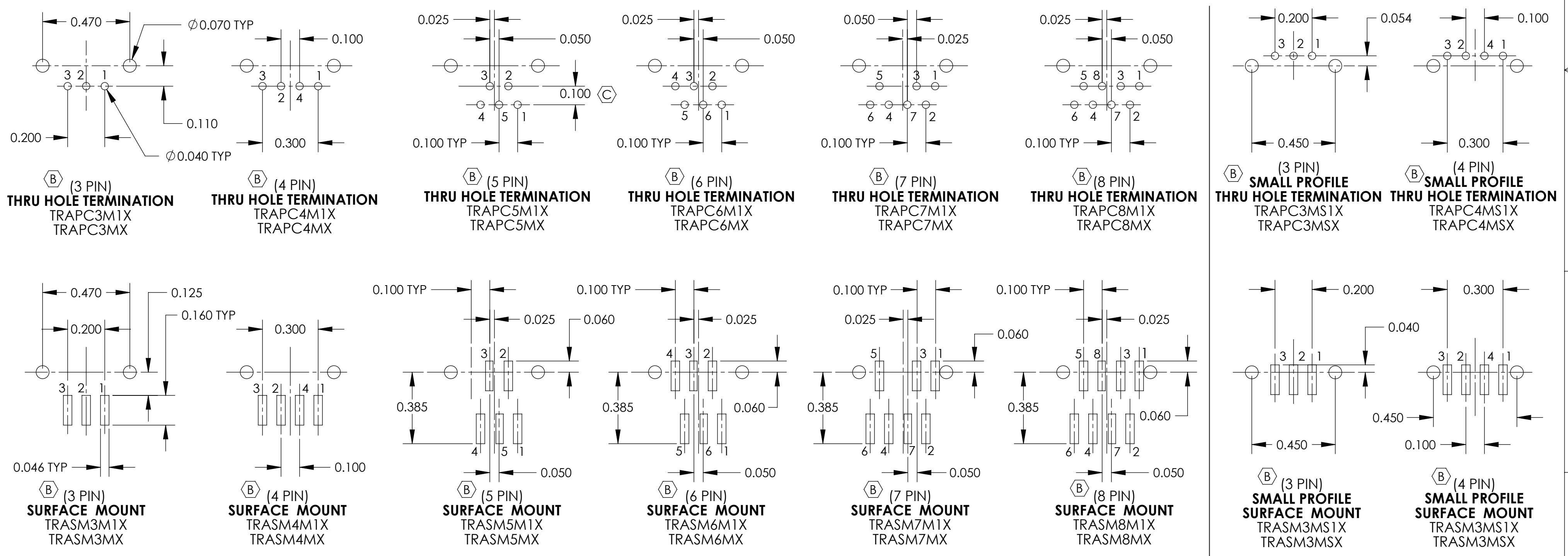
1. ALL DIMENSIONS IN INCHES  
- TWO PLACE DECIMALS ±0.01  
- THREE PLACE DECIMALS ±0.005  
- ANGLES ±1°  
- ALL DIA. CONCENTRIC WITHIN 0.005 T.I.R.
2. FEATURES ON THE SAME CENTERLINE MUST BE ALIGNED WITHIN ±0.002
3. REMOVE ALL BURRS

DO NOT SCALE DRAWING

THIS DRAWING DESCRIBES A DESIGN CONSIDERED PROPRIETARY IN NATURE, DEVELOPED AND MANUFACTURED BY SWITCHCRAFT INC. AND IS RELEASED ON A CONFIDENTIAL BASIS FOR IDENTIFICATION PURPOSES ONLY.									
SIZE	WIDTH	MULT	LBS/M	TEMPER					
FINISH					MATERIAL				
SPEC No.					SPEC No.				
FIRST USED ON					SCALE 2:1				
DATE DRAWN	BY	CHKD	APVD						
6-9-08	TJK	TJK	TJK						
			6-9-08						
			6-9-08						
NAME					PART No.				
TINI QG CONNECTOR					TRAPC_X - TRASM_X SERIES				
RIGHT ANGLE, PIN CONTACT, RoHS					REV C				



**CONTACT CONFIGURATIONS (FRONT VIEW)**



**RECOMMENDED PC BOARD LAYOUTS**

SCALE 1:0.4	Switchcraft®	
DATE DRAWN 6-9-08		
DRAWN BY TJK	PART No. TRAPC_X - TRASM_X SERIES	REV C

# Mouser Electronics

Authorized Distributor

Click to View Pricing, Inventory, Delivery & Lifecycle Information:

## Switchcraft:

[TRAPC3MS](#) [TRAPC3M1X](#) [TRAPC3MS1X](#) [TRAPC3MSX](#) [TRAPC3MX](#) [TRAPC4M1X](#) [TRAPC4MSX](#) [TRAPC4MX](#)  
[TRAPC5M1X](#) [TRAPC5MX](#) [TRAPC6M1X](#) [TRAPC6MX](#) [TRAPC7M1X](#) [TRAPC7MX](#) [TRAPC8M1X](#) [TRAPC8MX](#)  
[TRASM3MSX](#) [TRASM3MX](#) [TRASM4M1X](#) [TRASM4MX](#) [TRASM5MX](#) [TRASM6M1X](#) [TRASM7M1X](#) [TRAPC3MS1](#)  
[TRAPC4MS1X](#) [TRAPC4MS](#) [TRAPC5M1](#) [TRAPC6M1](#) [TRAPC7M1](#) [TRAPC8M1](#) [TRASM3MS](#) [TRASM4M1](#)  
[TRASM6M1](#) [TRASM7M1](#) [TRASM4MSX](#)