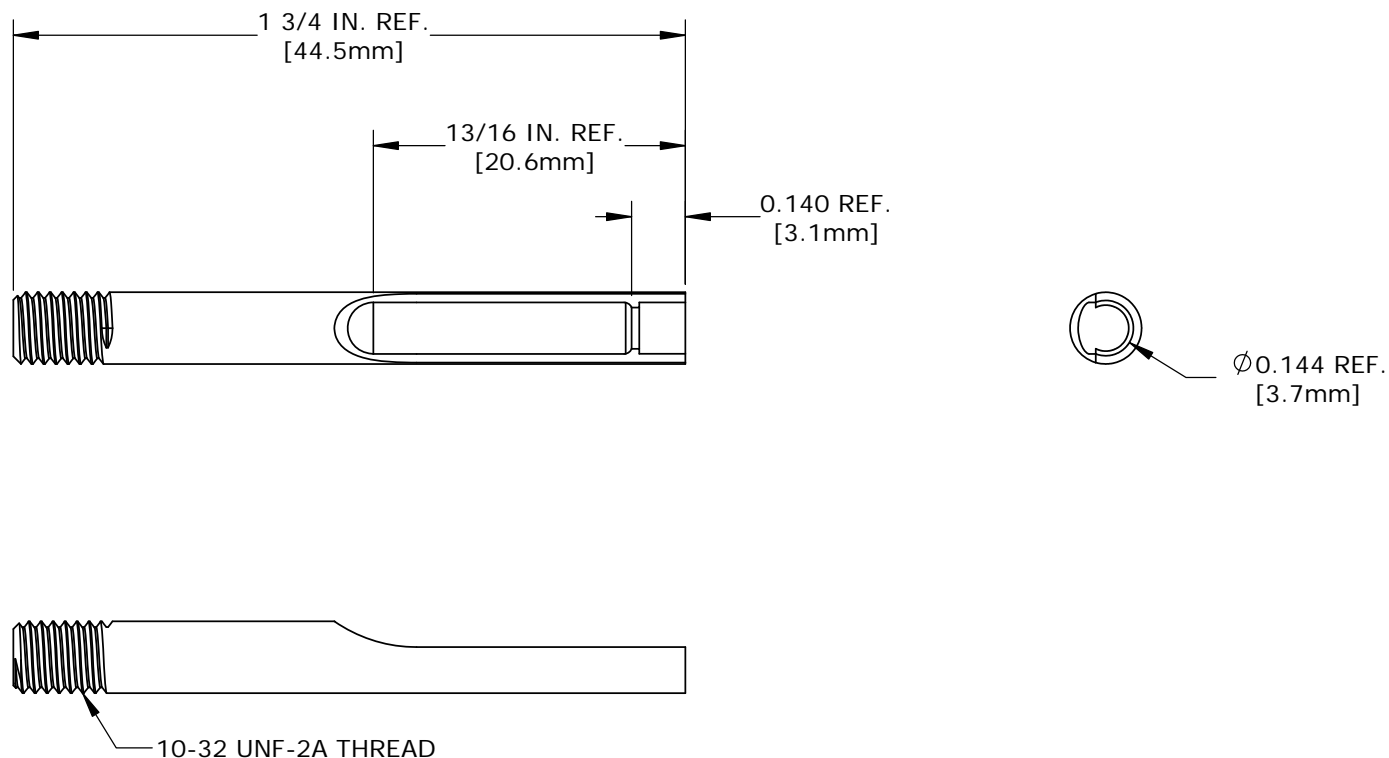


NOTES:  
1. MATERIAL: STAINLESS STEEL



# PROPRIETARY

THIS DOCUMENT CONTAINS CONFIDENTIAL INFORMATION PROPRIETARY TO CONXALL CORPORATION. ANY REPRODUCTION, DISCLOSURE, OR USE OF THIS DOCUMENT /INFORMATION IS EXPRESSLY PROHIBITED UNLESS AUTHORIZED IN WRITING BY CONXALL CORPORATION.

DIMENSIONS IN BRACKET [ ] ARE METRIC.

M	SS	03-09-20	UPDATED MFG DRAWING PER ECR 9509	
L	SS	07-16-19	UPDATED MATERIAL FOR NOTE 1 PER ECR 9429	
K	AN	05-18-17	CREATED SHEET PER DOR 17-7819JS	
REV.	INIT.	DATE	DESCRIPTION	
<small>ALL INFORMATION ILLUSTRATED IS THE PROPERTY OF CONXALL CORPORATION. UNAUTHORIZED DUPLICATION OR DISTRIBUTION OF THIS DOCUMENT IS PROHIBITED.</small>			<small>ORIG. DRAWN BY:</small> CSJ	<small>DATE:</small> 10-20-92
			<small>CHECKED BY:</small>	
<small>ALL UNITS ARE IN FEET, INCHES, FRACTION OF INCHES AND DECIMALS.</small>			<small>APPROVED BY:</small>	
			<small>SCALE</small> NTS	<small>SIZE</small> A
<small>FILE:</small> 356-12		<small>DIRECTORY:</small> SLW	<small>PART NUMBER:</small> 356-12	<small>REV</small> M



TITLE: CONTACT INSERTION BIT  
#12 CONTACTS PINS/SOCKETS

CUSTOMER: STANDARD PRODUCT

# Mouser Electronics

Authorized Distributor

Click to View Pricing, Inventory, Delivery & Lifecycle Information:

[Switchcraft:](#)

[356-122](#) [356-12](#) [356-121](#)