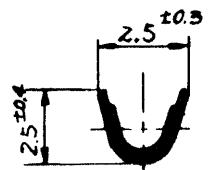
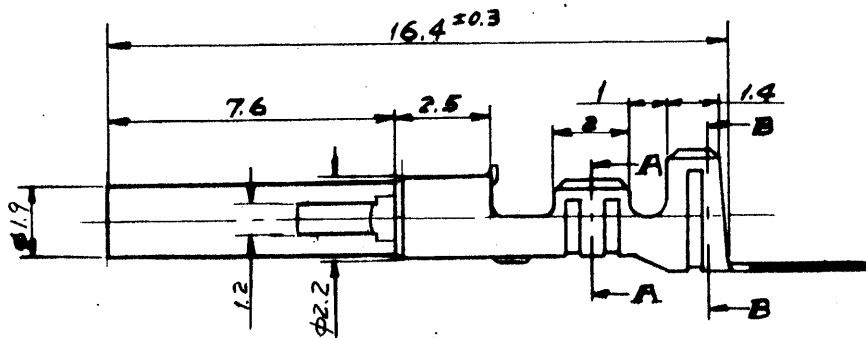
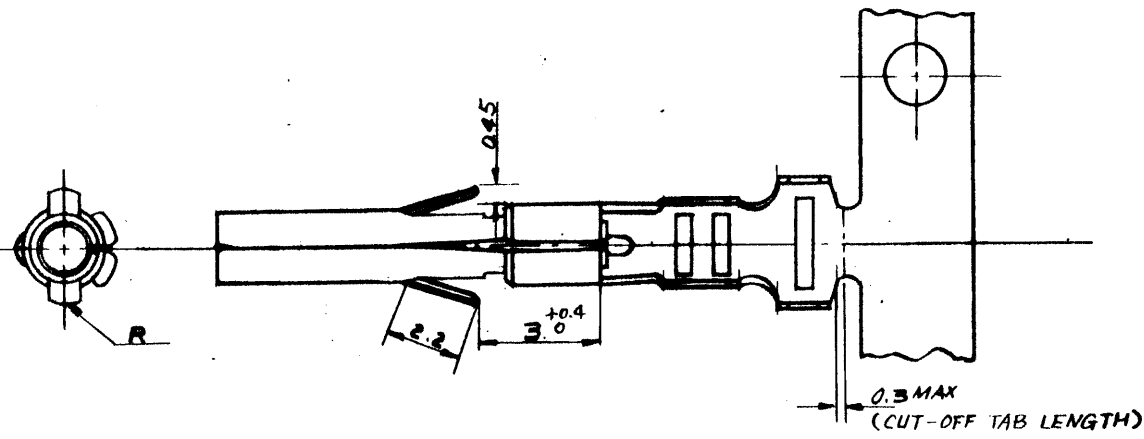
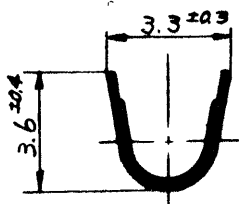


F
E
D
C
B
A



SECT. "A-A"



SECT. "B-B"

NOTE:

- 1. WIRE RANGE : AWG #18 ~ #24 (0.75 ~ 0.2 mm²)
- INSULATION RANGE : φ (1.3) ~ 3

GENERAL TOLERANCES	
10 UNDER	±0.2
10 OVER 30 UNDER	±0.25
30 OVER	±0.3
ANGLE	±3°

LOOSE CHAIN	GOLD PLATING	08-70-1012	5005GL
LOOSE CHAIN	PRE-TINNED	08-70-0042	TL
FORM	FINISH	08-70-0001	5005T
		EDP NO.	ENG. NO.

G	REVISED (J91011)	6/1/70	M.H.	公差 (Tolerances)	所要数 (Req)	DRWG.
F	REVISED ECN NO. 1065	1/18/79	K.H.	.000 ± 0.005 .00 → ± 0.05		DSN'D
E	REVISED PER ECN 1173	3/20/70		.0 → ± 0.1 . → ± 0.3	CHK'D	
D	REVISED PER ECN 1070	1/20/79		材料 (MAT'L)	APP'D	
C	REVISED PER ECN 912	9/1/70		BRASS, 0.2t	MOLEX-JAPAN CO., LTD.	
B ₁	Revised Stopper	9/7/70		熱処理 (H.T.)	日本モレックス株式会社	
B	REMOVED ECN NO. 748	3/10/70		HRC	No.	
A	REVISED	10/29/77		仕上げ (Finish)	SD-5005*	
0	PROPOSED	10/21/77		SEE TABLE	MINIFIT RECEPTACLE	
REV. NO.	変更内容 (Rev.)	Date	Name	Scale	名称 (Name)	
1/1R				4/1		