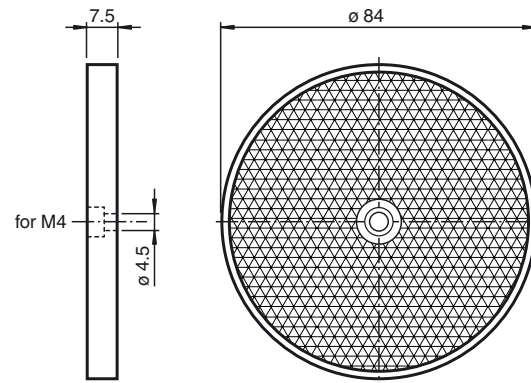




Dimensions



Model Number

REF-C110-2

Reflector, round \varnothing 84 mm, central mounting hole

Features

- Mounting holes for simple installation

Reflector with mounting holes

Accessories

OMH-C110-01

Mounting bracket

Technical data

General specifications

Construction type circular

Ambient conditions

Ambient temperature -20 ... 60 °C (-4 ... 140 °F)

Mechanical specifications

Material PMMA/ABS

Dimensions Diameter: 84 mm

Mounting mounting hole