

Protistor® size 22x58 gR

690VAC (IEC) / 700VAC (UL)

SEMICONDUCTOR PROTECTION FUSES

IEC HIGH-SPEED CYLINDRICAL FUSE-LINKS AC PROTECTION



These Protistor® size 22x58 have been designed to protect power semiconductors, complying with standard IEC 60269-1 and -4.

They are extremely high interrupting rating fuses: 690 VAC, with large band of ratings (current rating 15 to 135 A).

Two models are existing: with or without trip-indicator

TECHNICAL DATA OVERVIEW

Ampere Range (A)	12 ... 135 A
Size per Standard	22x58
Speed/Characteristic	gR
I.R. AC (IEC)	160 kA
I.R. AC (UL)	200 kA
I.R. DC (UL)	50 kA
Rated voltage AC (IEC)	690 V
Rated voltage AC (UL)	700 V
Rated voltage DC (UL)	500 V

FEATURES & BENEFITS

- IEC standard 60269-4 compliant
- UL 248-13 compliant
- gR class
- Clearing all overloads
- Improved safety and protection
- Enabling selective coordination among all
- Distribution circuit fuses
- With or without trip-indicator

STANDARDS

- IEC 60269-4
- UL recognized
- UL 248-13
- CCC GB 1539.4
- RoHS compliant



Protistor® size 22x58 gR

690VAC (IEC) / 700VAC (UL)

PRODUCT RANGE

CP 22x58 gR with striker

Catalog number	Reference number	Rated voltage AC (IEC)	Rated current I _n	Pre-arcing I ² t	Clearing I ² t at Rated Voltage	Power dissipation at I _n	Weight	Package
FR22GR69V12T	W1018620	690 V	12 A	5.4 A ² s	60 A ² s	4.4 W	60 g	10
FR22GR69V16T	X1018621	690 V	16 A	13.1 A ² s	125 A ² s	4.65 W	60 g	10
FR22GR69V20T	Y1018622	690 V	20 A	17.1 A ² s	160 A ² s	7 W	60 g	10
FR22GR69V25T	Z1018623	690 V	25 A	38.6 A ² s	315 A ² s	7.65 W	60 g	10
FR22GR69V32T	A1018624	690 V	32 A	77.4 A ² s	670 A ² s	9.1 W	60 g	10
FR22GR69V40T	B1018625	690 V	40 A	154 A ² s	1050 A ² s	9.5 W	60 g	10
FR22GR69V50T	C1018626	690 V	50 A	292 A ² s	2050 A ² s	11.8 W	60 g	10
FR22GR69V63T	D1018627	690 V	63 A	519 A ² s	3350 A ² s	13.6 W	60 g	10
FR22GR69V80T	E1018628	690 V	80 A	1240 A ² s	7600 A ² s	13.8 W	60 g	10
FR22GR69V100T	F1018629	690 V	100 A	2470 A ² s	14500 A ² s	16 W	60 g	10
FR22GR69V125T	G1018630	690 V	125 A	3360 A ² s	16800 A ² s	22.8 W	60 g	10
FR22GR69V135T	H1018631	690 V	135 A	4390 A ² s	19800 A ² s	25.5 W	60 g	10



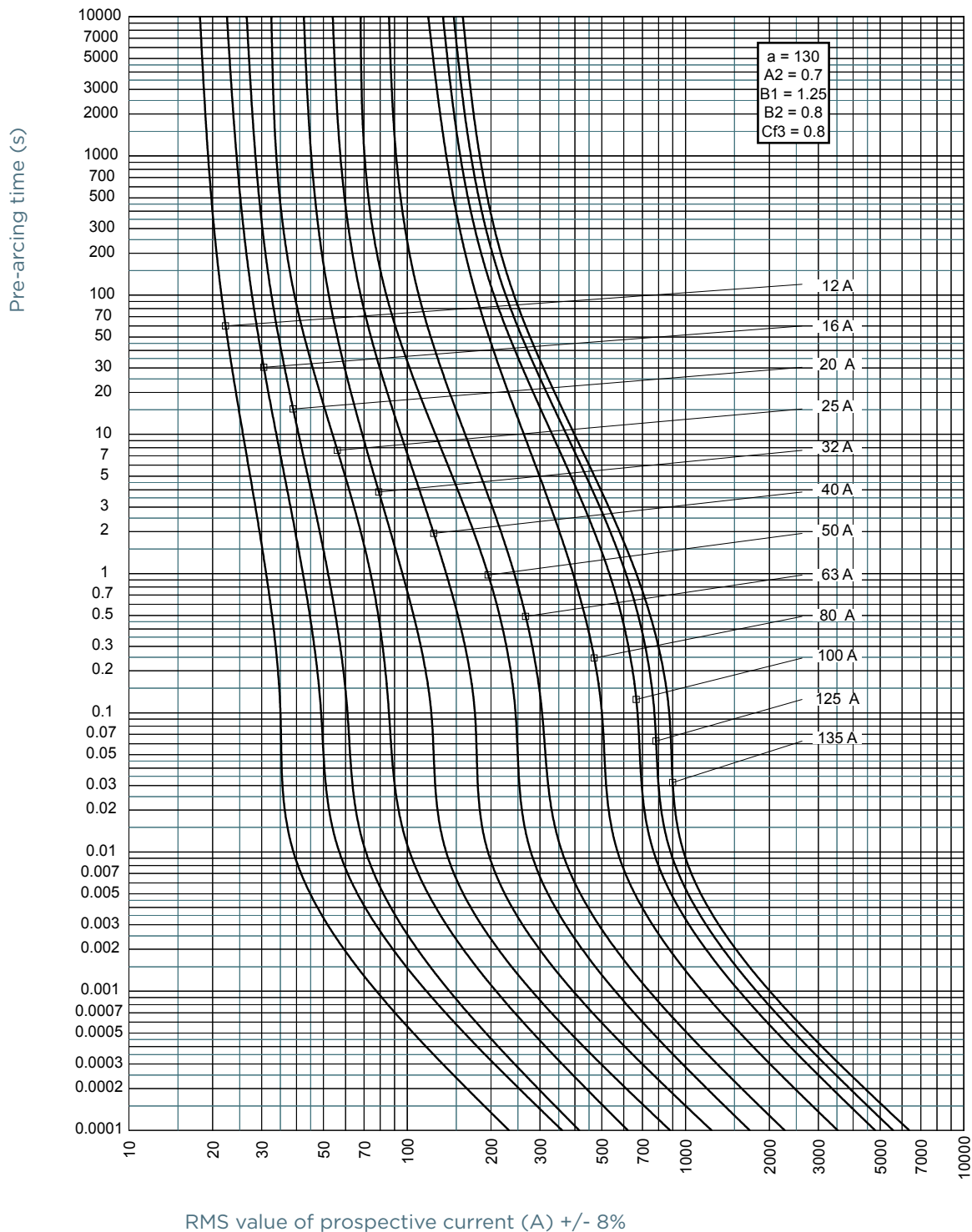
FR22GR69V12

CP 22x58 gR without striker

Catalog number	Reference number	Rated voltage AC (IEC)	Rated current I _n	Pre-arcing I ² t	Clearing I ² t at Rated Voltage	Power dissipation at I _n	Weight	Package
FR22GR69V12	W1018551	690 V	12 A	5.4 A ² s	60 A ² s	4.4 W	60 g	10
FR22GR69V16	X1018552	690 V	16 A	13.1 A ² s	125 A ² s	4.65 W	60 g	10
FR22GR69V20	Y1018553	690 V	20 A	17.1 A ² s	160 A ² s	7 W	60 g	10
FR22GR69V25	Z1018554	690 V	25 A	38.6 A ² s	315 A ² s	7.65 W	60 g	10
FR22GR69V32	A1018555	690 V	32 A	77.4 A ² s	670 A ² s	9.1 W	60 g	10
FR22GR69V40	B1018556	690 V	40 A	154 A ² s	1050 A ² s	9.5 W	60 g	10
FR22GR69V50	C1018557	690 V	50 A	292 A ² s	2050 A ² s	11.8 W	60 g	10
FR22GR69V63	D1018558	690 V	63 A	519 A ² s	3350 A ² s	13.6 W	60 g	10
FR22GR69V80	E1018559	690 V	80 A	1240 A ² s	7600 A ² s	13.8 W	60 g	10
FR22GR69V100	F1018560	690 V	100 A	2470 A ² s	14500 A ² s	16 W	60 g	10
FR22GR69V125	G1018561	690 V	125 A	3360 A ² s	16800 A ² s	22.8 W	60 g	10
FR22GR69V135	H1018562	690 V	135 A	4390 A ² s	19800 A ² s	25.5 W	60 g	10

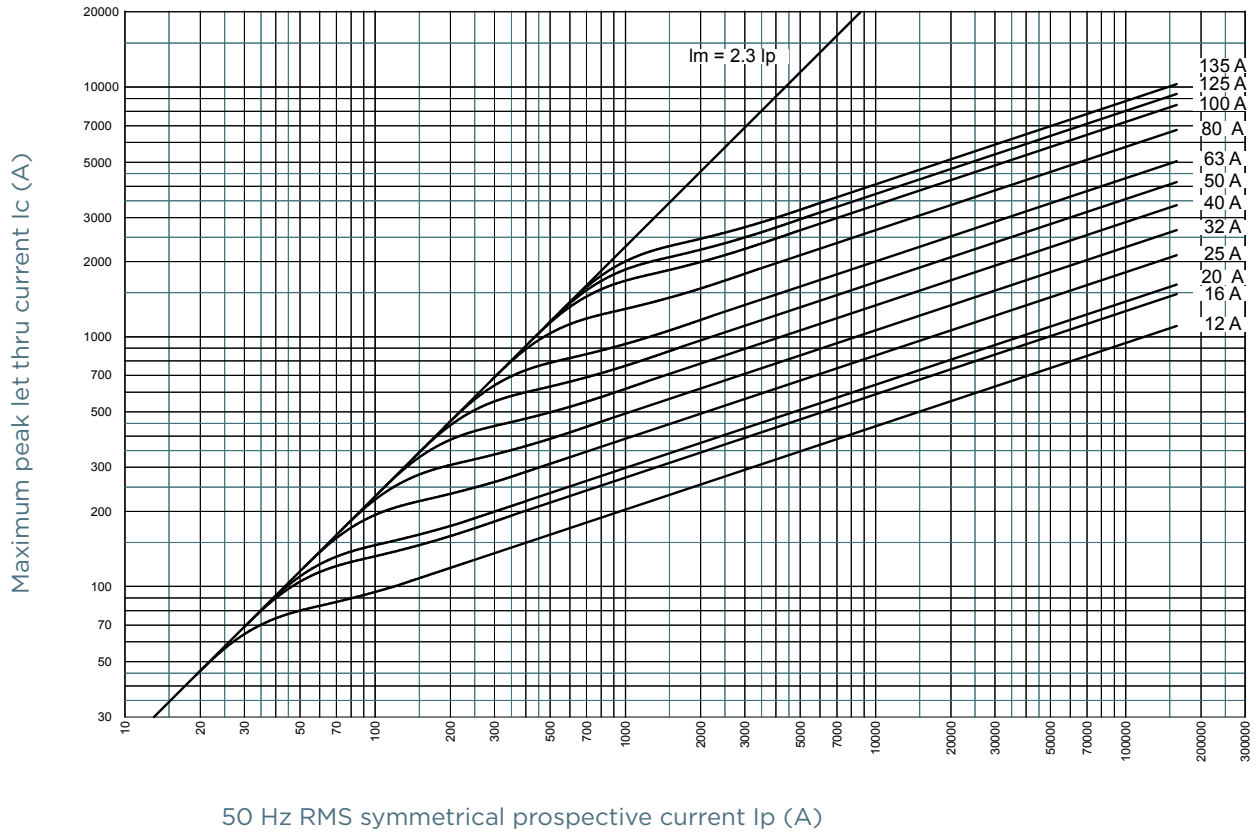
TIME CURRENT CHARACTERISTIC CURVES

Size 22x58 gR



CUT-OFF CURRENT CHARACTERISTIC

Size 22x58 gR

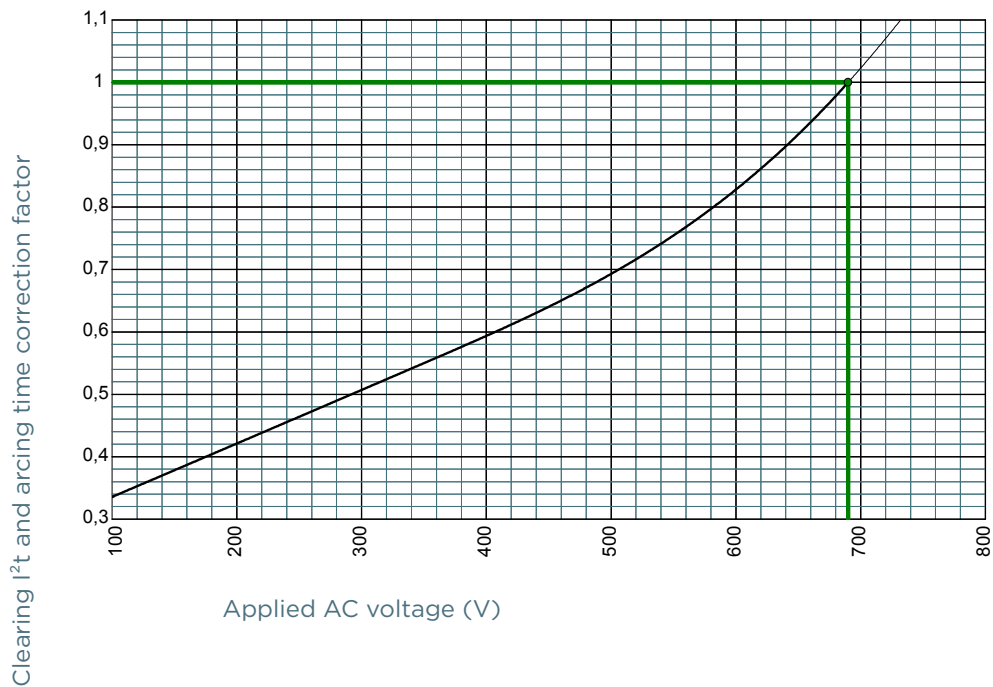


Protistor® size 22x58 gR

690VAC (IEC) / 700VAC (UL)

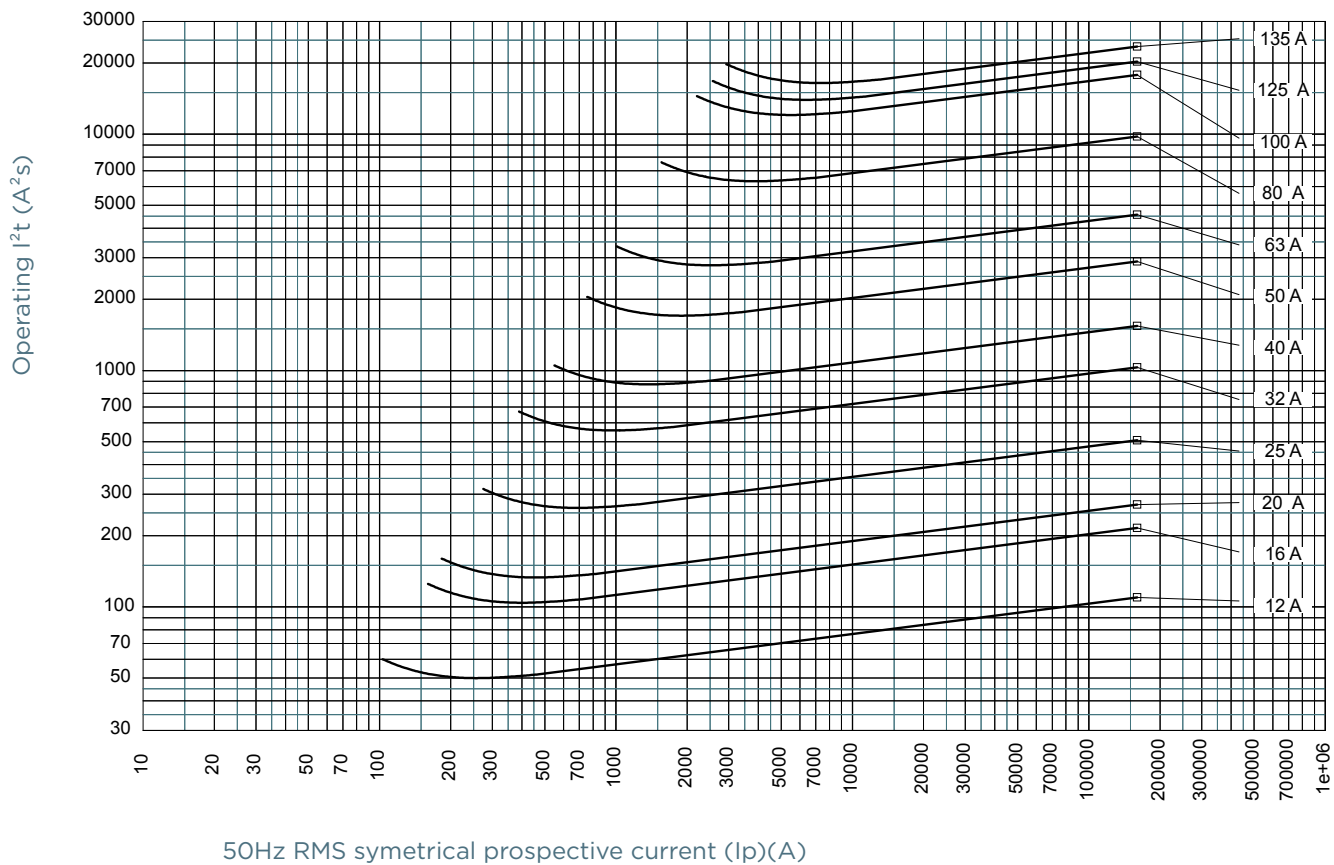
I²T MULTIPLIER COEFFICIENT

Size 22x58 gR



CHARACTERISTICS TOTAL I²T CURVE

Size 22x58 gR



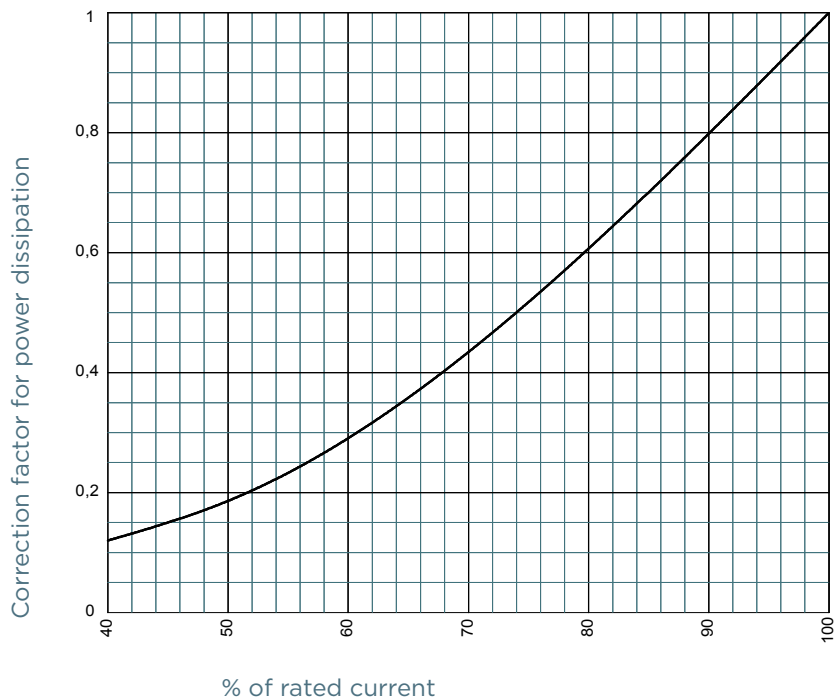
MERSEN reserves the right to change, update or correct, without notice, any information contained in this datasheet.

Protistor® size 22x58 gR

690VAC (IEC) / 700VAC (UL)

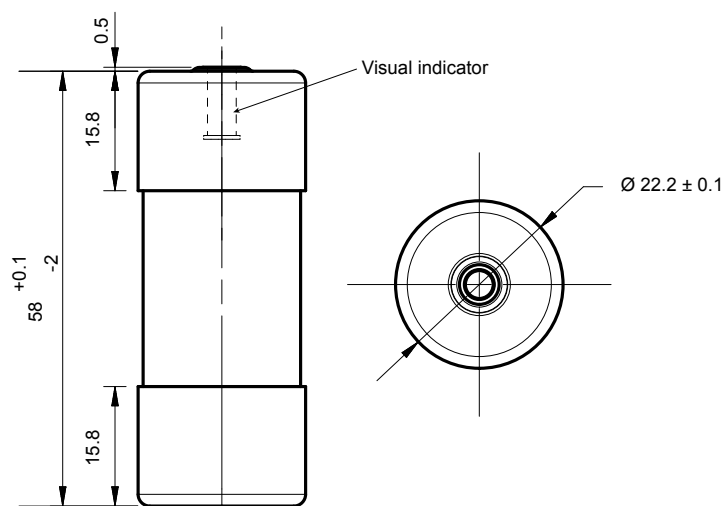
POWER DISSIPATION

Size 22x58 gR



DIMENSIONS

CP 22x58 gR with striker (100213)



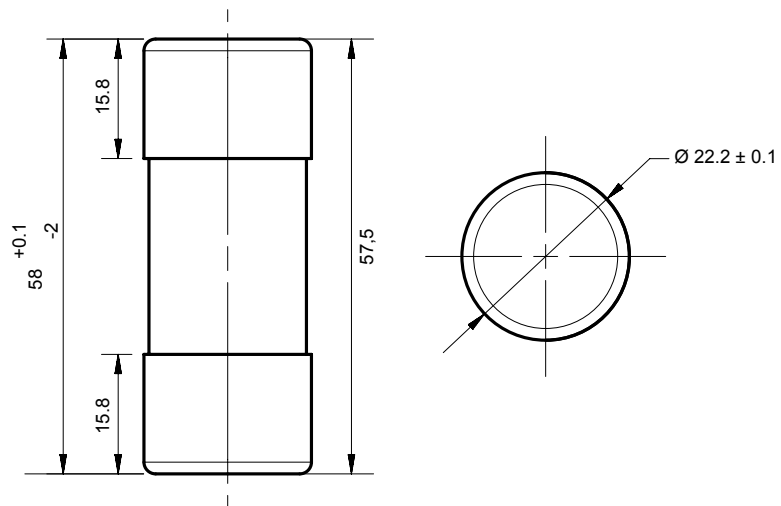
Dimensions in mm

Protistor® size 22x58 gR

690VAC (IEC) / 700VAC (UL)

DIMENSIONS

CP 22x58 gR without striker (100214)



Dimensions in mm