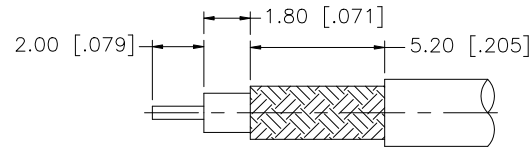
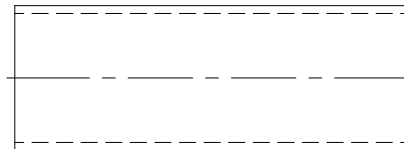
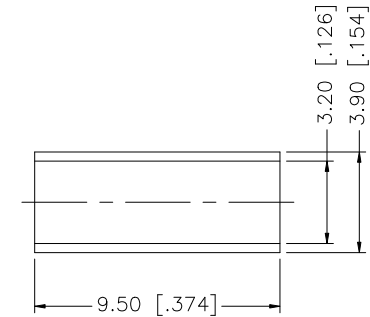
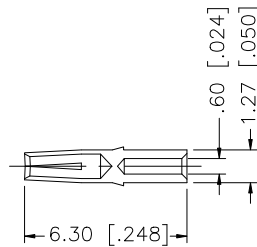
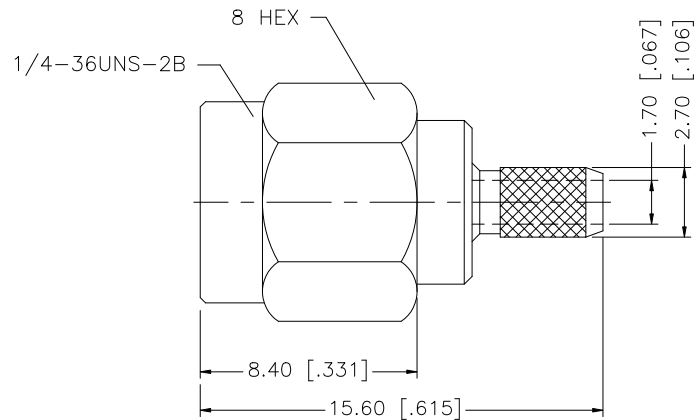


REV.	DATE	ECR NO.	DESCRIPTION
A	01/22/04	-	UPDATE DRAWING FORMAT
B	04/23/08	100009	MODIFY BARREL O.D., FERRULE O.D. AND I.D.



RECOMMENDED  
CABLE STRIPPING DIM'S



NOTES:

1. CRIMPED FERRULE HEX CRIMP SIZE .128"
2. CONTACT PIN TO SOLDER

DESCRIPTION	MATERIAL	FINISH	QTY	DO NOT SCALE DRAWING	APPROVALS	DATE	PART DESCRIPTION			
8				<small>UNLESS OTHERWISE SPECIFIED DIMENSIONS ARE IN MILLIMETERS. DIMENSIONS IN [ ] ARE IN INCHES AND FOR CUSTOMER REFERENCE ONLY.</small> <small>UNLESS OTHERWISE SPECIFIED TOLERANCES FOR MILLIMETERS ARE:</small> 0.5 - 8mm ± 0.20mm 8 - 30mm ± 0.40mm 30 - 120mm ± 0.50mm <small>UNLESS OTHERWISE SPECIFIED TOLERANCES FOR INCHES ARE:</small> .020 - .315 = ± 0.007" .315 - 1.180 = ± 0.015" 1.180 - 4.724 = ± 0.020"	DRAWN	04/23/08	<h1 style="color: blue; margin: 0;">Amphenol Connex</h1> <p style="margin: 0;">SMA REVERSE POLARITY CRIMP PLUG (FOR RG-174/U, 188A/U, 316/U CABLE)</p>			
7			CHECKED							
6			ISSUED							
5	HEAT SHRINK TUBING		1		SHEET	1 OF 1				
4	FERRULE	COPPER	GOLD	1			PART NO. 132114RP			
3	CONTACT PIN	BER. COPPER	GOLD	1			DWG. NO. 132114RP.DWG			
2	INSULATOR	PTFE	NATURAL	1			REV. B			
1	BODY	BRASS	GOLD	1			SIZE A			
							SCALE NA			

# Mouser Electronics

Authorized Distributor

Click to View Pricing, Inventory, Delivery & Lifecycle Information:

[Amphenol:](#)

[132114RP](#)