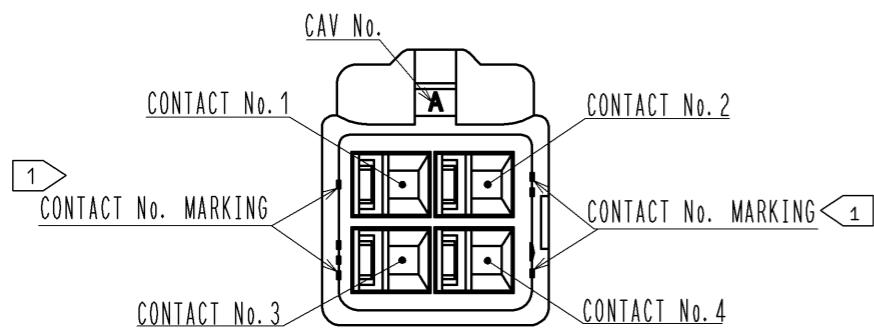
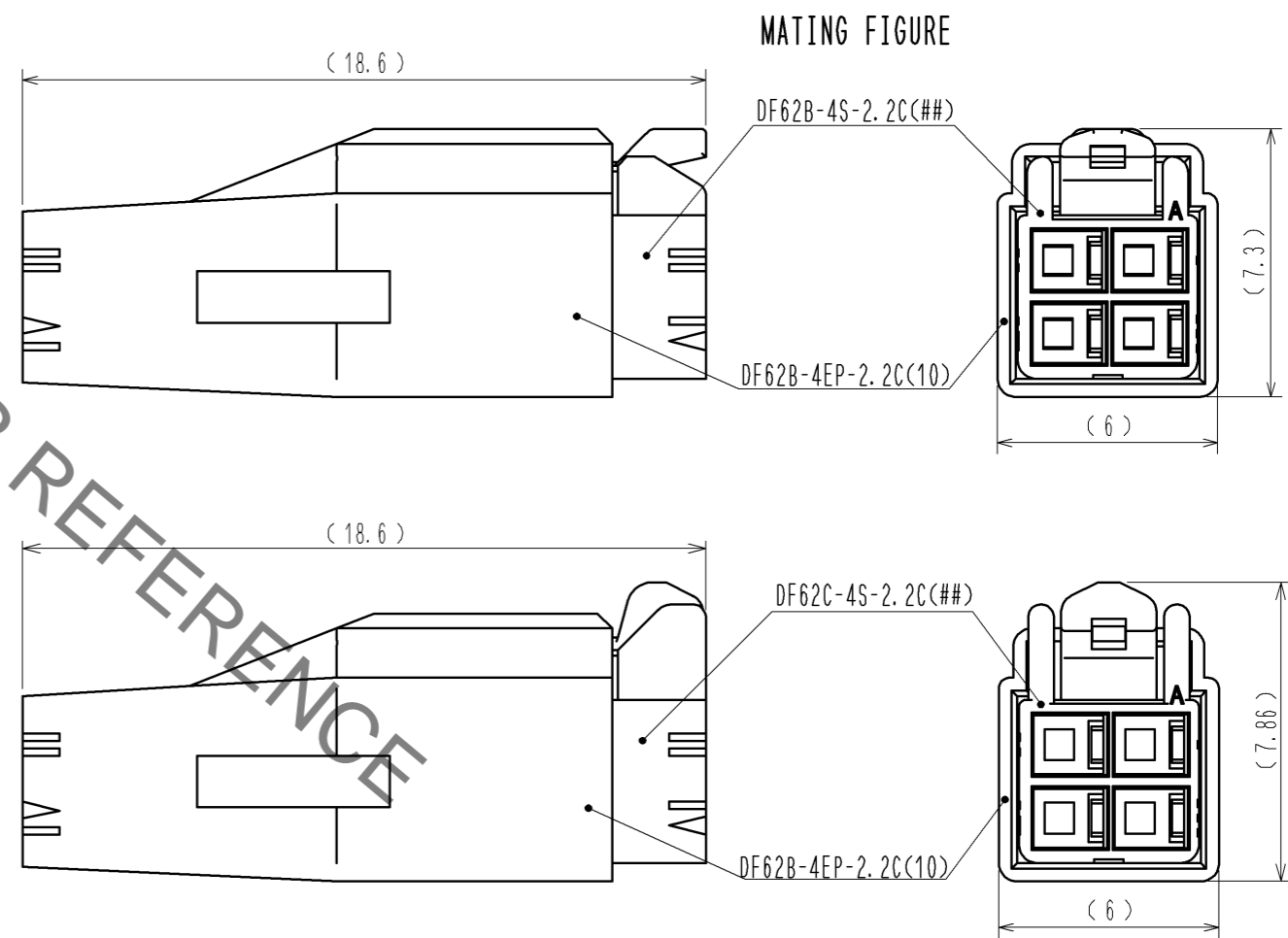
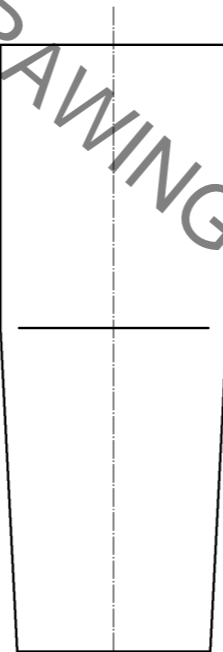
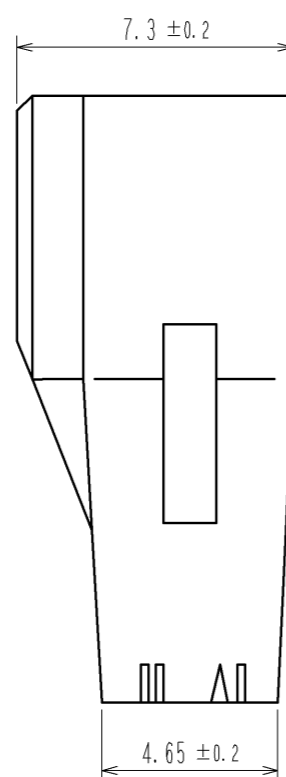
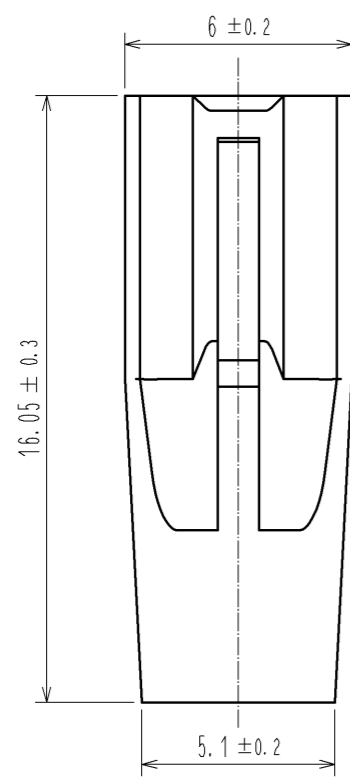
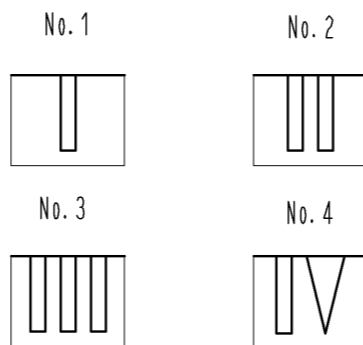
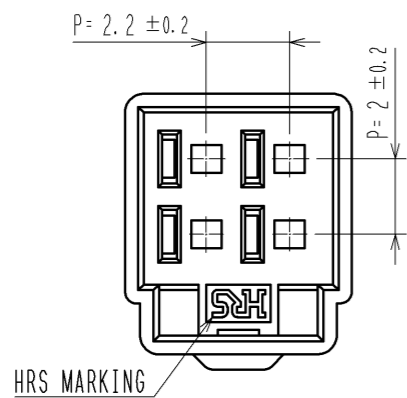


Aug.1.2020 Copyright 2020 HIROSE ELECTRIC CO., LTD. All Rights Reserved.  
In case of consideration for using Automotive equipment / device which demand high reliability, kindly contact our sales window correspondents.

1 FIGURE-1 CONTACT No. MARKING (10:1)



NOTE. 1. MARKINGS AT THE INDICATED POSITIONS ARE CONTACT NO. MARKING. AND SHAPES ARE SHOWN IN FIGURE-1.  
2. PER PACK : 100 PIECES.  
3. THE DIMENSIONS IN PARENTHESIS ARE FOR REFERENCE.

NO.		MATERIAL		FINISH . REMARKS		1	PBT	UL94V-0 (WHITE)		
UNITS		SCALE		COUNT		DESCRIPTION OF REVISIONS		DESIGNED	CHECKED	DATE
mm		5 : 1		△						
HIROSE ELECTRIC CO., LTD.		APPROVED : KI. AKIYAMA		13. 05. 29		DRAWING NO.		EDC3-351965-01		
		CHECKED : HK. UMEHARA		13. 05. 29		PART NO.		DF62B-4EP-2. 2C(10)		
		DESIGNED : TS. KUMAZAWA		13. 05. 29		CODE NO.		CL544-0560-0-10		
		DRAWN : TS. KUMAZAWA		13. 05. 29				△ 1/1		

# Mouser Electronics

Authorized Distributor

Click to View Pricing, Inventory, Delivery & Lifecycle Information:

[Hirose Electric:](#)

[DF62B-4EP-2.2C\(10\)](#)