

Low Torque Metal Seal Type Rotary Joint

Long service life

MQR1 : 1 billion rotations

MQR2 : 0.5 billion rotations

MQR4 : 0.3 billion rotations

MQR8 : 0.2 billion rotations

MQR12: 0.1 billion rotations

MQR16: 0.1 billion rotations

* Under SMC's life test conditions.

Low rotational torque

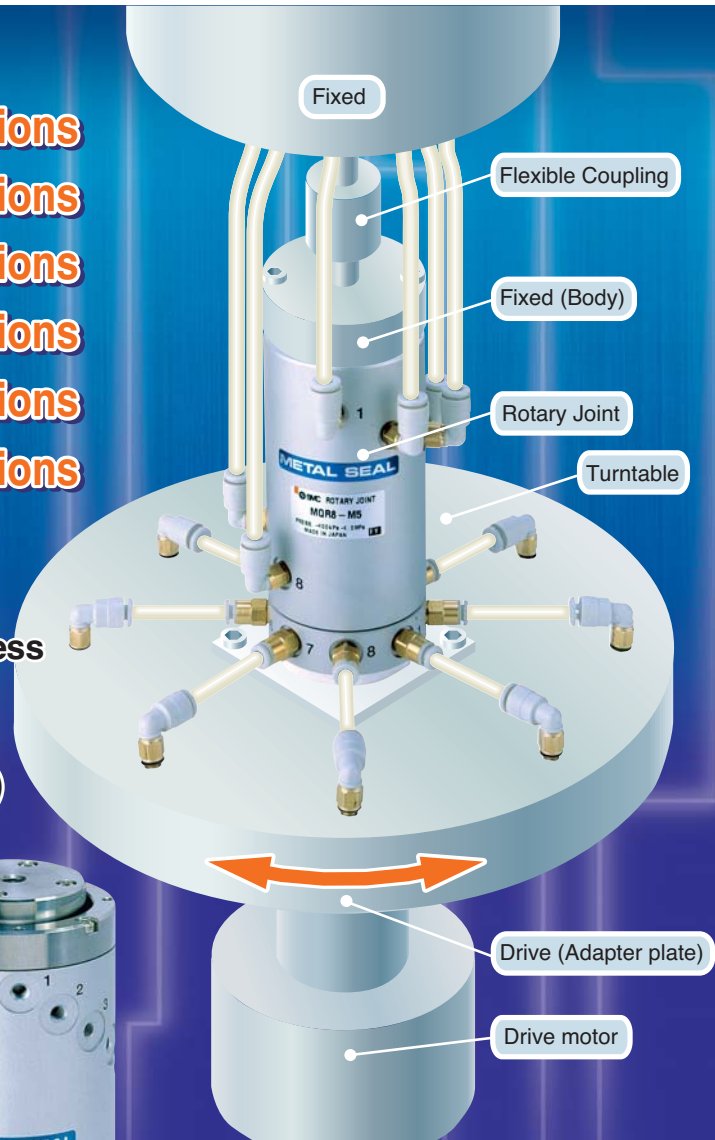
0.003 to 0.50 N·m or less

Allowable RPM

200 to 3000 min⁻¹ (r.p.m)

Operating temperature

-10 to 80°C



Application of adapter plate drive

* Not suitable for transmission of drive

◀ **16 circuits have been added to the MQR series.**

Series MQR



Low Torque Metal Seal Type Rotary Joint

Series MQR

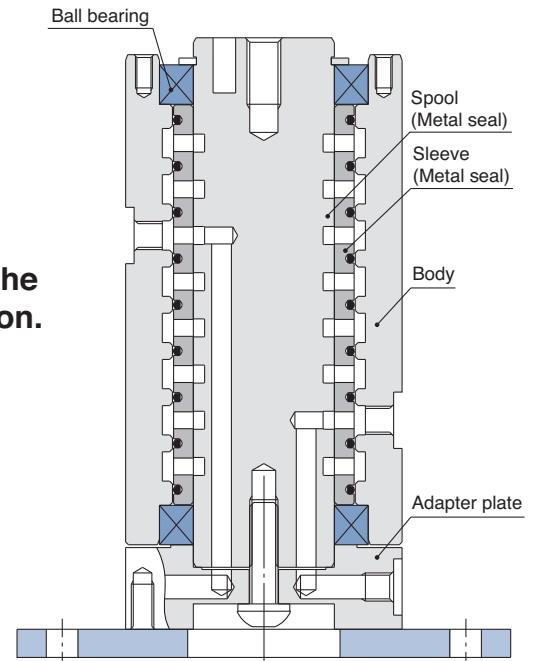


Rotational torque unaffected by supply pressure and temperature fluctuations

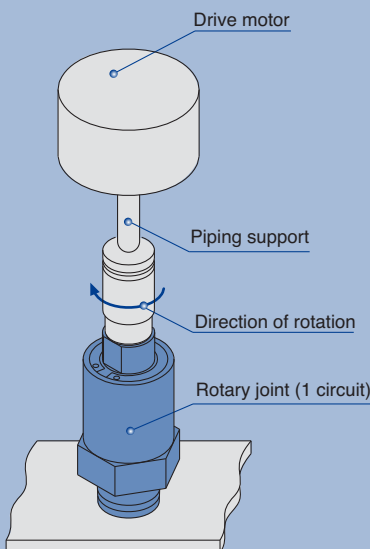
Use of metal seals prevents the spool from sticking to the rotating surface even after a long period of non-operation.

Operating pressure **-100kPa to 1MPa**

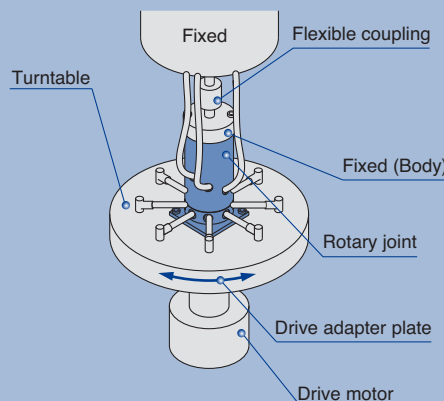
Piping ports are aligned in a spiral line for easy piping



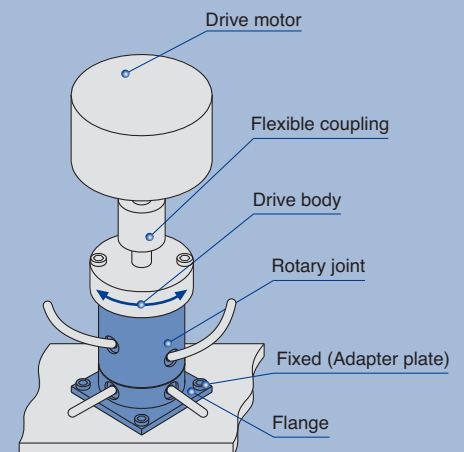
Applications: Air supply to rotary/pivot shafts of turntables and robot arms



Example of 1 circuit



Example of adapter plate drive



- This series cannot be used for drive transmission.
(Refer to Back page 2)

Example of body drive

Made to Order

● Contact SMC if you wish to use rotary joints at temperatures outside the range of -10°C to 80°C or to have joints made with 20 circuits or more or a through hole specification.

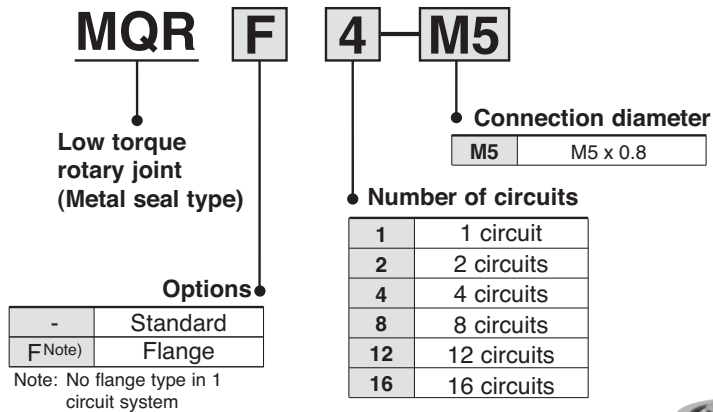
Low Torque Metal Seal Type Rotary Joint

Series MQR

1 circuit, 2 circuits, 4 circuits, 8 circuits, 12 circuits, 16 circuits

RoHS

How to Order



Options/Mounting Bracket

Number of circuits	Flange part number
2 circuits	MQR2-F
4 circuits	MQR4-F
8 circuits	MQR8-F
12 circuits	MQR12-F
16 circuits	MQR16-F



Specifications

Model	MQR1-M5	MQR2-M5	MQR4-M5	MQR8-M5	MQR12-M5	MQR16-M5
Number of circuits (Number of ports)	1	2	4	8	12	16
Fluid	Air / Inert gas					
Seal structure	Metal seal					
Guide structure	Bearing supported	Bearing supported at both ends				
Port size	Male R1/8	M5				
	Female M5					
Flow rate characteristics	C[dm ³ /(s·bar)]		b	Cv	Q[l/min (ANR)] ^{Note5}	
	0.50		0.40	0.17	136	
Lubrication	Not required					
Min. operating pressure	-100kPa					
Max. operating pressure	1.0MPa					
Ambient temperature and operating fluid temperature ^{Note 1)}	-10 to 80°C					
Max. start-up rotation torque ^{Note 2)}	0.003 N·m or less	0.03 N·m or less	0.05 N·m or less	0.10 N·m or less	0.20 N·m or less	0.50 N·m or less
Allowable rotation number	3000 min ⁻¹ (r.p.m.) or less ^{Note 3)}	2000 min ⁻¹ (r.p.m.) or less	1500 min ⁻¹ (r.p.m.) or less	900 min ⁻¹ (r.p.m.) or less	600 min ⁻¹ (r.p.m.) or less	200 min ⁻¹ (r.p.m.) or less
Allowable radial load (allowable coupling axis reaction) ^{Note 4)}	1N or less	15N or less	30N or less	40N or less	50N or less	50N or less
Allowable axial load						
Weight	0.025kg	0.16kg	0.39kg	0.76kg	1.26kg	2.80kg

Note 1) The temperature 80C includes temperature rise during rotation.

Note 2) The start-up torque does not change with the supply pressure or with non-use (remains within the maximum start-up rotation torque), but it does change with the rotation number. (Refer to page 2).

Note 3) If using at a speed above 600 min⁻¹ (r.p.m.), ensure rotation is in the direction in which the joint is fastened.

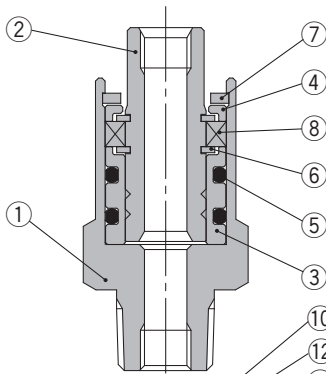
Note 4) Rubber / resin couplings are recommended due to their excellent absorption of off center, shocks, and vibrations.

Note 5) This value has been calculated according to the ISO 6358 and represents the flow rate measured in standard conditions at an upstream pressure of 6bar (relative pressure) and a differential of pressure of 1bar.

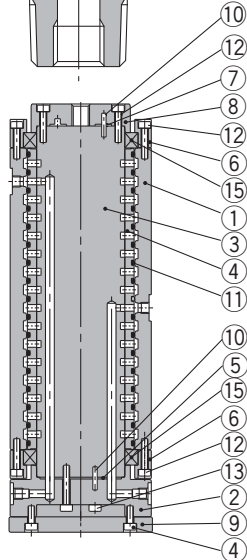
Series MQR

Construction

MQR1-M5



MQR2 to 16-M5



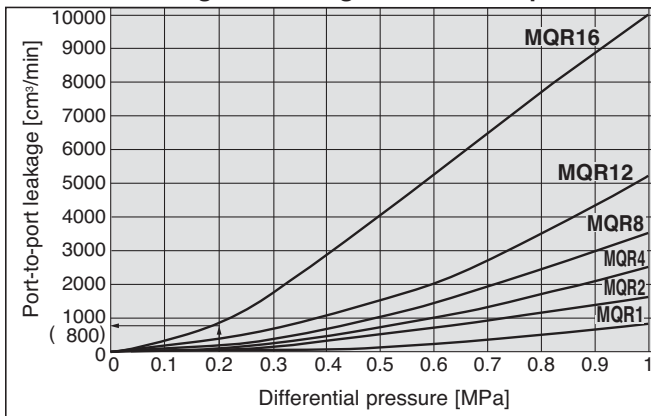
Component Parts/(MQR1 - M5, 1 circuit)

No.	Name	Material	Remarks
1	Body	Stainless steel	
2	Spool	Special stainless steel	
3	Sleeve	Special stainless steel	
4	Plate	Aluminium	
5	O-ring	HNBR	
6	Retaining ring	Carbon steel	
7	Retaining ring	Carbon steel	
8	Radial bearing		

Component Parts/(MQR2 to 16 - M5, 2 to 16 circuits)

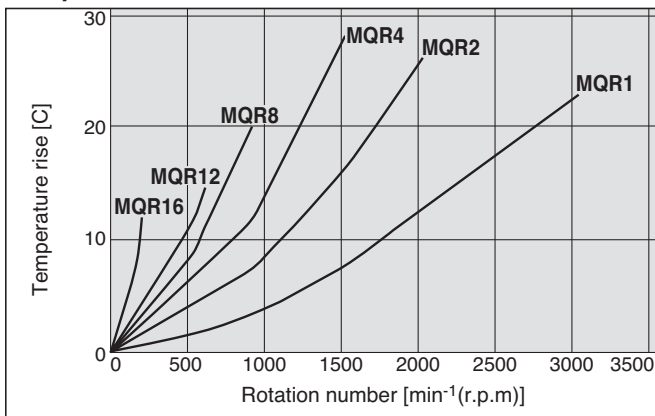
No.	Name	Material	Remarks
1	Body	Aluminum	
2	Adapter plate	Aluminum	
3	Spool	Special stainless steel	
4	Sleeve	Special stainless steel	
5	Gasket	HNBR	
6	Bearing holder	Aluminum	16 circuits only
7	Gasket	HNBR	16 circuits only
8	Plate	Aluminum	16 circuits only
9	Flange	Aluminum	
10	Parallel pin	Carbon steel	Except for 2 circuits
11	O-ring	HNBR	
12	Bolt	Carbon steel	16 circuits only
13	Bolt	Carbon steel	
14	Bolt	Carbon steel	
15	Radial bearing	—	

Allowable leakage according to differential pressure



Note: These values show reference values and are not guaranteed.

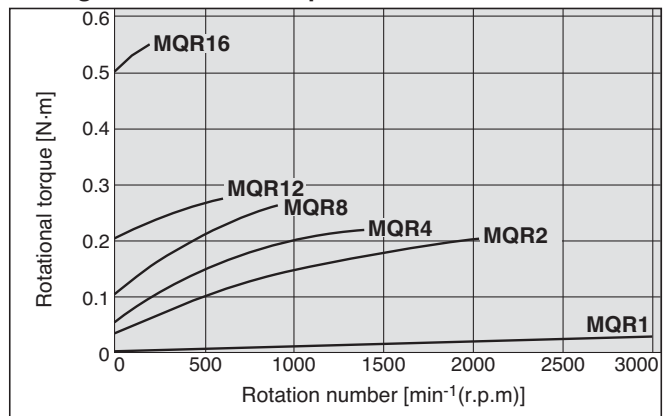
Temperature rise with rotation number



Note 1: Value when no pressure applied. Temperature rise is reduced by supply of air.

Note 2: These values show reference values and are not guaranteed.

Change in rotational torque with rotation number

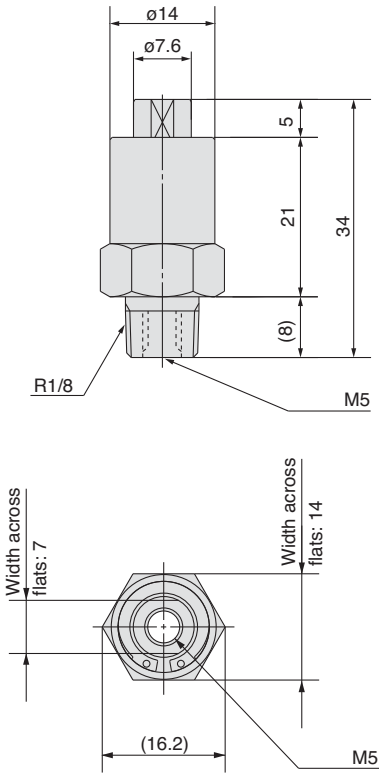


Note: These values show reference values and are not guaranteed.

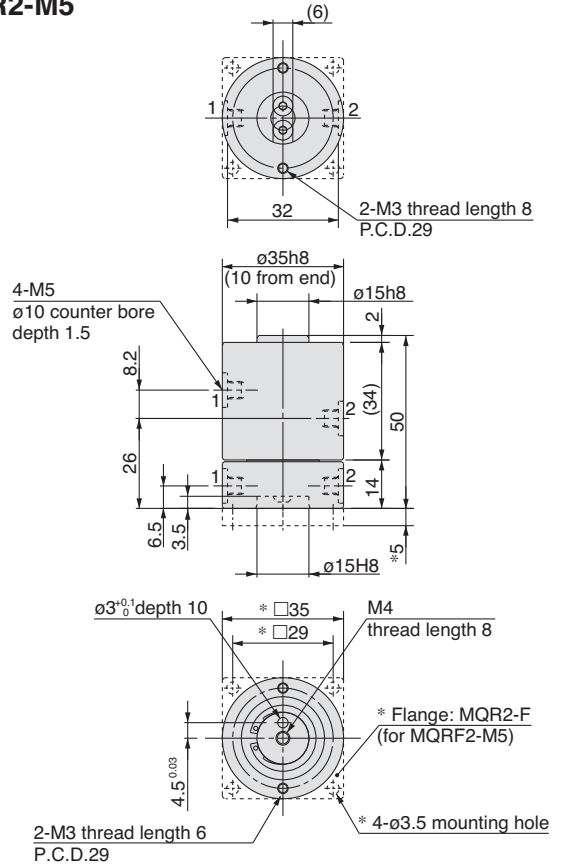
Dimensions: Standard Type/Flange Type

* symbol indicates flange dimensions

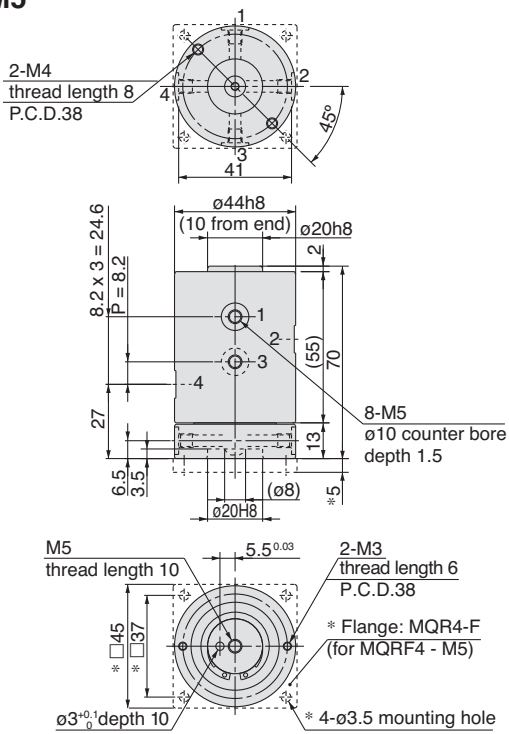
MQR1-M5



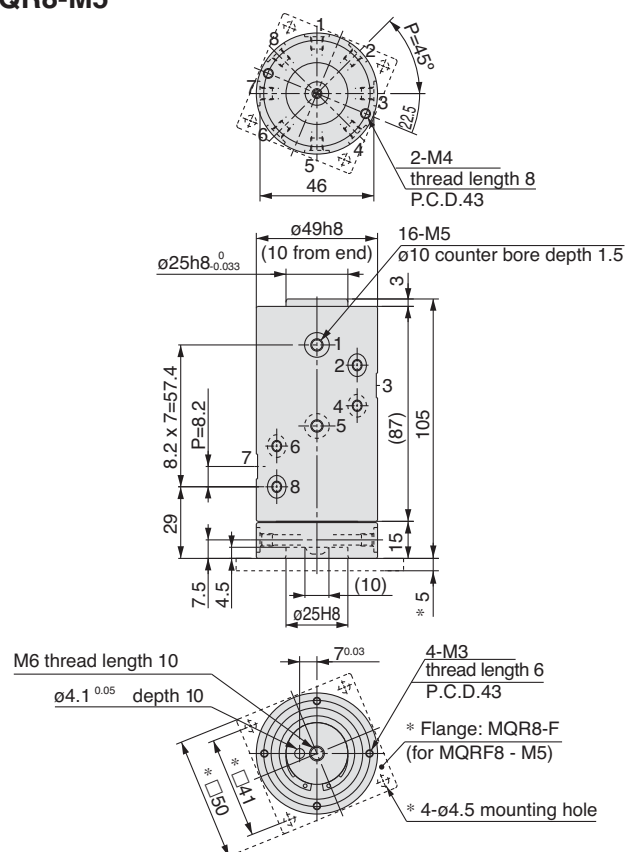
MQR2-M5



MQR4-M5



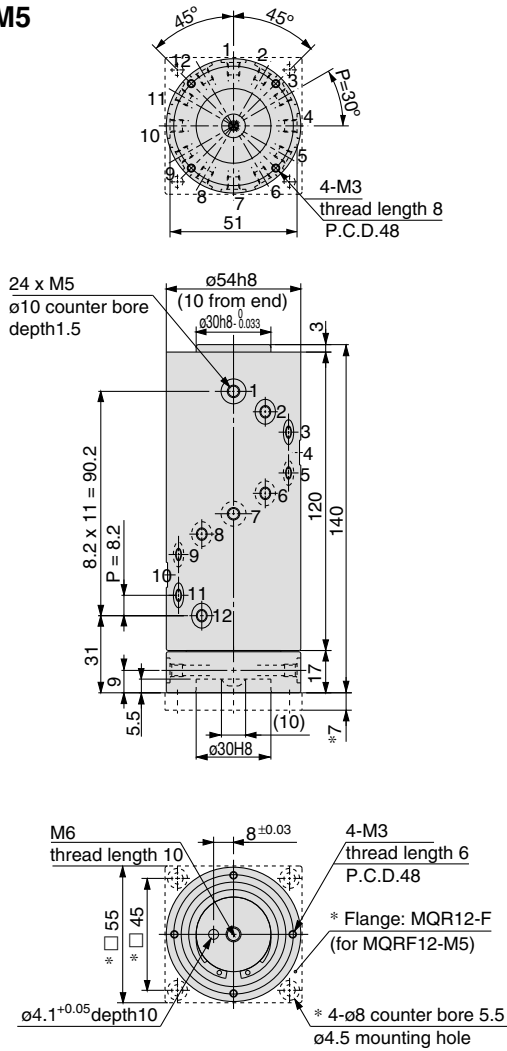
MQR8-M5



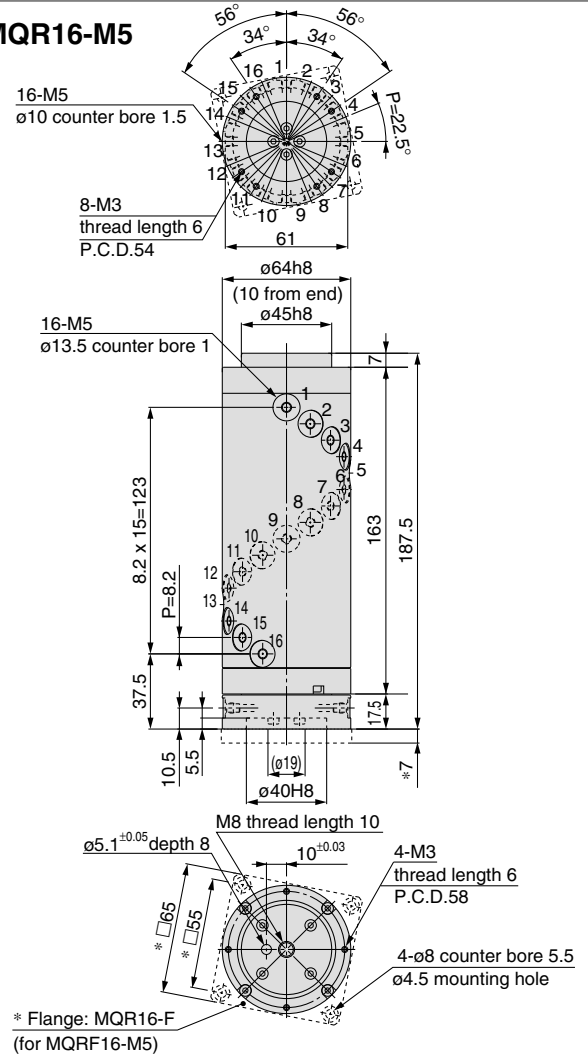
Dimensions: Standard Type/Flange Type

* symbol indicates flange dimensions

MQR12-M5

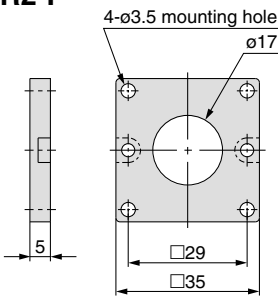


MQR16-M5

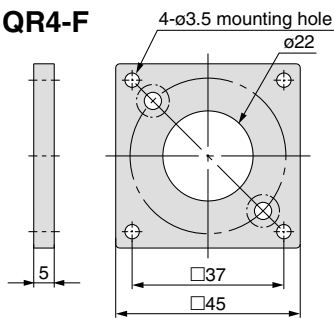


Mounting Bracket/Flange

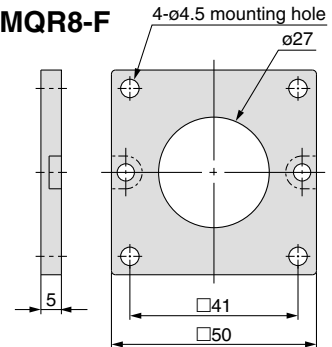
MQR2-F



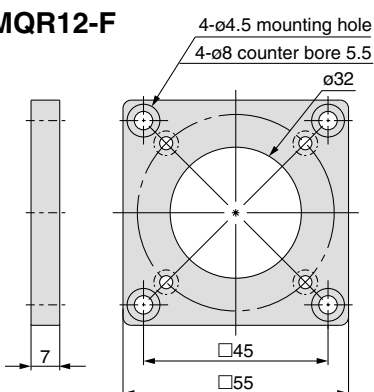
MQR4-F



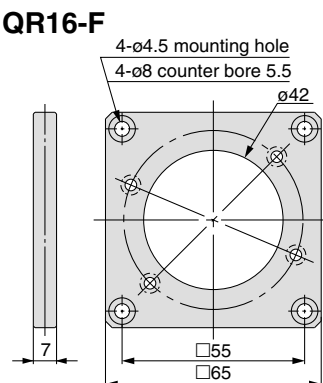
MQR8-F



MQR12-F



MQR16-F





Series **MRQ**

Safety Instructions

The following safety instructions are intended to prevent a hazardous situation and/or equipment damage. The instructions indicate the level of potential hazard by labels of "**Caution**", "**Warning**" or "**Danger**". To ensure safety, please observe all safety practices, including ISO 4414 Note 1) and JIS B 8370 Note 2) .

⚠ Caution : Operator error could result in injury or equipment damage.

⚠ Warning : Operator error could result in serious injury or loss of life.

⚠ Danger : In extreme conditions, there is a possible result of serious injury or loss of life.

Note 1) ISO 4414 : Pneumatic fluid power --General rules relating to systems

Note 2) JIS B 8370: General Rules for Pneumatic Equipment

⚠ Warning

1. The compatibility of pneumatic equipment is the responsibility of the person who designs the pneumatic system or decides its specifications.

Since the products specified here are used in various operating conditions, their compatibility with a specific pneumatic system must be based on specifications, post analysis and/or tests to meet a specific requirements. The expected performance and safety assurance is the responsibility of the person who determines the compatibility of the system. This person should continuously review the suitability of all specified items by referring to the latest information in the catalog and by taking into consideration the possibility of equipment failure when configuring the system.

2. Only trained personnel should operate pneumatic machinery and equipment.

Compressed air can be dangerous if an operator is unfamiliar with it. Assembly, handling or repair of pneumatic systems should be performed by trained and experienced operators.

3. Do not service machinery/equipment or attempt to remove components until the safety of the worker is confirmed.

1. Inspection and maintenance of machinery/equipment should only be performed once measures to prevent falling or runaway of the driver objects have been confirmed.
2. When equipment is to be removed, confirm that all safety precautions have been followed. Cut the supply pressure for this equipment and exhaust all residual compressed air in the system.
3. Before restarting any machinery/equipment exercise caution to prevent quick extension of a cylinder piston rod, etc.

4. Contact SMC if the product will be used in any of the following conditions:

1. Conditions and environments beyond the given specifications, or if product is used outdoors.
2. Installation on equipment in conjunction with atomic energy, railway, air navigation, vehicles, medical equipment, food and beverages, recreation equipment, emergency stop circuits, clutch and brake circuits in press applications, or safety equipment.
3. An application which has the possibility of having negative affect on people, property, or animals, requiring special safety analysis.



Series MQR

Rotary Joint/Precautions 1

Be sure to read before handling.

Design

Warning

- 1. A protective cover is recommended to minimize the risk of human injury.**
If a moving part poses a risk of human injury and/or damage to machinery/equipment, then a structure which prevents direct contact with that part should be adopted.
- 2. Securely tighten all stationary parts and connected parts so that they will not become loose.**
Secure fastening is particularly important when the rotary joint has a high operating frequency.
- 3. Provide safety devices in drive circuit.**
Collisions, or foreign material introduced by the air source, may cause scuffing or burning of rotating parts, which in turn leads to increased rotational torque. Install safety devices in the drive circuit accordingly.
- 4. Pressure**
Air leakage occurs in these products. They cannot be used for pressure holding in pressure vessels, etc.
- 5. Do not use in an emergency shutdown air circuit.**
These products are not designed for use in a safety circuit performing emergency shutdown. Other reliable safety protection means should be adopted for such systems.
- 6. Ensure room for maintenance.**
Leave sufficient space for maintenance work.
- 7. Releasing residual pressure.**
Provide a residual pressure release function in order to carry out maintenance work.
- 8. Using vacuum supply.**
When using a vacuum air supply, install a suction filter, or equivalent, to prevent infiltration of dirt and foreign material via the absorption pad or exhaust port.

Selection

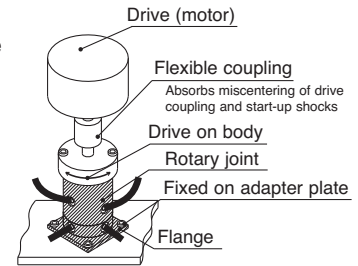
Warning

- 1. Confirm the specifications.**
The products advertised in this catalog are designed according to use in industrial compressed air systems. If the products are used in conditions where pressure, temperature, etc., are out of specification, damage and/or malfunction may be caused. Do not use in these conditions. (Refer to specifications.)
- 2. Do not use for power transmission.**
These products are not designed to be used as bearings for transmitting power from a drive source, such as a motor. Such use may lead to rotation faults, or damage.

Mounting

Warning

- 1. Prevent impacts on shaft when drive source is started.**
If excessive offset load is applied to the product, it may cause malfunction, breakdown, or personal injury or damage to machinery and equipment. Use a flexible coupling as illustrated below, to avoid direct radial load or axial load on the shaft. A rubber/resin coupling is recommended, due to its excellent absorption of off center, shocks, and vibrations. Please consult the coupling manufacturer to discuss the detailed operating conditions.
- 2. Do not make additions to this product.**
Any additions made to this product will weaken it and may cause product failure, leading to human injury and/or damage to machinery/equipment.
- 3. Allow freedom of movement when securing the shaft.**
If you do not allow some freedom of movement when fixing the shaft, then any eccentricity will cause abnormal wear, leading to malfunction, breakdown, and possible human injury and/or damage to machinery/equipment.
- 4. When the top is fixed, install a relief port ($\phi 1$ or more).**
This product leaks air to the outside. When the top is made airtight, an excessively large load may occur. This may lead to malfunction.



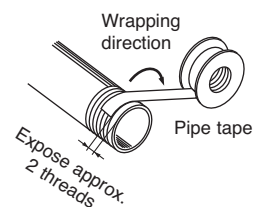
Caution

- 1. Confirm the model and size before installation. Check that there are no scratches, impact marks, cracks, or the like, on the product.**
- 2. When connecting tubes, take account of variations in pressure according to tube length.**
- 3. Do not wipe model designation on nameplate with organic solvents, etc.**
This will cause designation to disappear.
- 4. Do not knock rotary shaft when main unit is fixed, or knock main unit when rotary shaft is fixed.**
This may bend the rotary shaft and cause damage to the bearings. The rotary shaft should be fixed when attaching a load, etc. to it.

Piping

Caution

- 1. Preparation before piping.**
Before piping is connected, it should be thoroughly blown out with air (flushed), to remove chips, cutting oil and other debris from inside the piping.
- 2. Wrapping of pipe tape.**
When screwing together pipes and fittings, etc., be certain that chips from the pipe threads and sealant material do not get inside the piping. Also, when pipe tape is used, leave approximately 2 thread ridges exposed at the end of the threads.





Series MQR

Rotary Joint/Precautions 2

Be sure to read before handling.

Piping

⚠ Caution

3. Screw tightening and tightening torque.

Use the tightening torques in the table below, when screwing a fitting onto a piping port. Particular attention is required in the case of MQR1 (1 circuit), as this joint supports the piping.

Tightening Torque for Piping

Connecting threads	Suitable tightening torque
M5	1.5 to 2 N·m
Rc 1/8	7 to 9 N·m

* Comments

Fastening M5 thread fittings

Tighten manually, and then tighten a further quarter-turn using the fastening tool. If using miniature fittings, tighten manually, and then tighten a further quarter-turn using the fastening tool. If there are two gaskets, such as a universal elbow or universal tee, the final tightening should be doubled to a half-turn.

Note: Over-tightening of fittings may cause fracturing of the thread sections or deformation of the gaskets, leading to air leaks. If the fittings are under-tightened, the loosening of thread and air leaks may occur.

Lubrication

⚠ Caution

1. Lubrication

1. Due to the initial lubricant provided, the product can be used without lubrication.
2. Do not lubricate if using the product at low torque. Lubrication may cause an increase in the rotational torque, due to the viscosity and surface tension of the oil.
3. In the event that lubrication is applied, use turbine oil class 1 (without additives) ISO VG32.

Air Supply

⚠ Warning

1. Use clean air.

Do not use compressed air containing chemicals, synthetic oils containing organic solvents, salts, or corrosive gases, etc., as these can cause damage or malfunction.

Air Supply

⚠ Caution

1. Use the product within the range of specifications for fluid and ambient temperature.

Take measures to prevent freezing when used at 5°C or less, since moisture in circuits can freeze, causing malfunction.

2. Install air filters.

Install air filters near valves on their upstream side. The filtration degree should be 5 μm or less. Furthermore, when using at low friction, it is also recommended to use clean air (atmospheric pressure dew point temperature of -10°C) and install mist separator series AM (filtration degree 0.3 μm or less) or series AM + AMD (filtration degree 0.01 μm or less).

3. Install an after-cooler, air dryer or water separator (Drain Catch), etc.

Air containing excessive drainage can cause malfunction of valves and other pneumatic equipment. To prevent this, install an after-cooler, air dryer or water separator, etc.

Refer to the "Best Pneumatics vol.14" for details on compressed air quality.

Operating Environment

⚠ Warning

1. Do not use in environments where there is a danger of corrosion.

Refer to the construction drawings regarding rotary joint materials.

2. Do not use in dusty locations or where water, oil, etc., will splash on the equipment.

Maintenance

⚠ Warning

1. Perform maintenance according to the procedures indicated in the instruction manual.

If handled improperly, malfunction and damage of machinery or equipment may occur.

2. During maintenance, do not perform any disassembly or assembly whilst the air supply is connected.

⚠ Caution

1. Drain flushing

Remove condensate from air filters at regular intervals.

Disassembly

⚠ Caution

1. The component parts of these products are manufactured to precision tolerances, and therefore cannot be disassembled.



Series MQR

Specific Product Precautions 1

Be sure to read before handling.

Refer to back pages 1 through to 3 for safety instructions and rotary joint precautions.

Operation

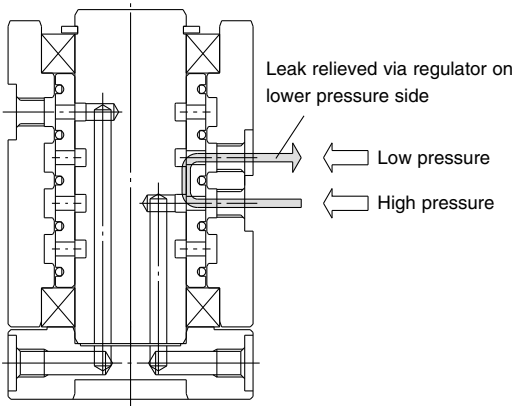
Caution

- The metal seal structure means that port-to-port leaking occurs. Therefore, please note the following points when using different pressures at neighbouring ports.

When using different pressures at normal pressure

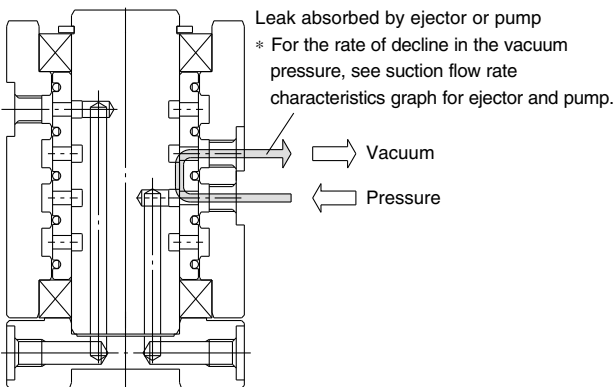
Use relieving type regulators.

Leaks between ports are to be exhausted via the relief port of the regulator on the lower pressure side.



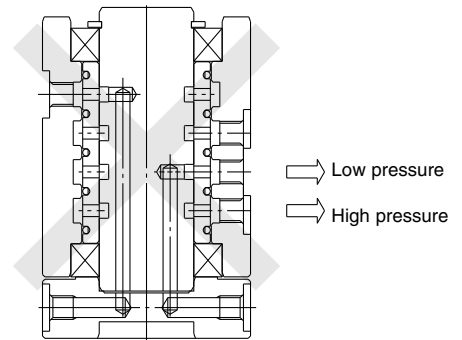
When combination of vacuum and normal pressures

When using a compact vacuum ejector (suction flow rate approx. 10 L/min), the vacuum pressure drop is several kPa or so, depending on the supply source characteristics and the piping conditions. For more details, please refer to the flow rate characteristics graph provided in the vacuum pump catalogue, instruction manual, etc.

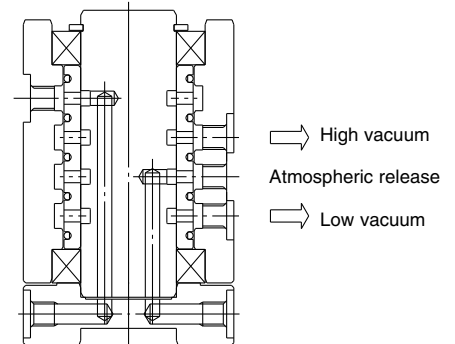


Using different pressures in vacuum

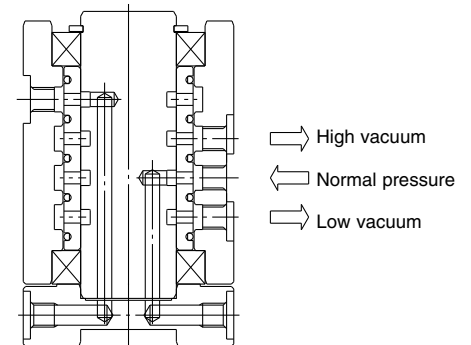
As neither the ejector nor the vacuum pump has a relief function, pressure interference may occur. Install an atmospheric release port (blanking port) or normal pressure circuit between the pressure ports having different vacuum pressures.



- * If neighbouring ports are used at different vacuum pressures, the vacuum pressure on the lower vacuum side will increase and hence it cannot be used.



Using atmospheric release port



Using normal pressure port

- * If using two or more ports at different vacuum pressures, an atmospheric release port or a normal pressure supply should be provided between the ports.



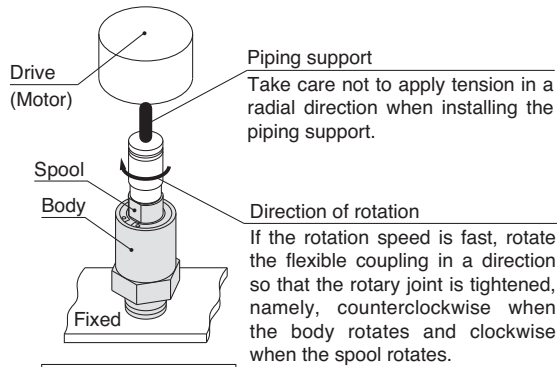
Series MQR

Specific Product Precautions 2

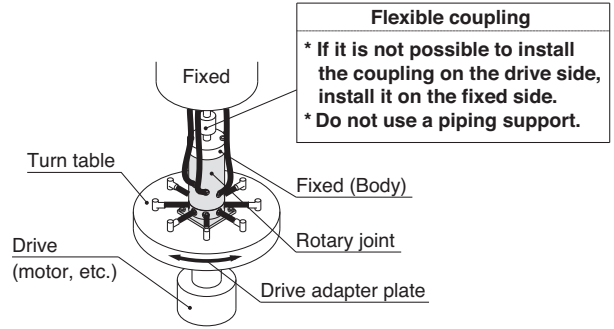
Be sure to read before handling.

Refer to back pages 1 through to 3 for safety instructions and rotary joint precautions.

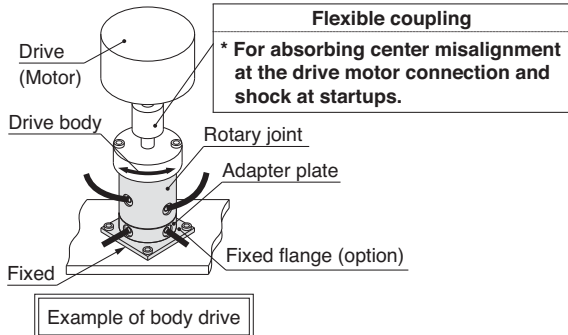
Mounting



Example of 1 circuit



Example of adapter plate drive



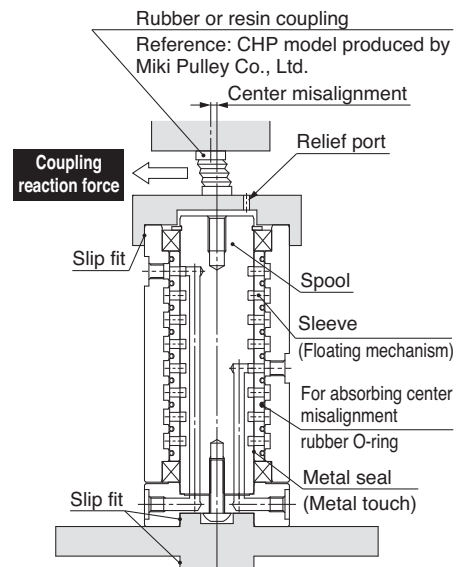
Example of body drive

⚠ Caution

- Although the center misalignment of the drive shaft and fixed shaft is different due to the flexible coupling type and size, keep adjustments to 0.3 mm or less as a guide.
Do not use piping support for 2 or more circuits. If used for 2 or more circuits, excessive radial load may occur momentarily (particularly at the start) due to piping tension and deflection, and it may cause excessive abrasion.
- This product has a floating mechanism on the sleeve in order to keep the surface pressure of the metal seal part at a lower level even when rotating with the accumulated center misalignment of parts. If instantaneous shock occurs when starting and stopping rotation, the surface pressure may rise without working the floating mechanism and excessive abrasion may occur. Flexible coupling should be installed at the drive motor connection in order to protect the rotary joint from direct shocks. The recommended coupling is made by rubber or resin. These are excellent in center misalignment and adsorption of impact and vibration.
(Reference coupling: Bellow Flex (Plastic bellows coupling) CHP model produced by Miki Pulley Co., Ltd.)
For applicable reaction force of the coupling, refer to specifications on page 399.
Select coupling with twice the safety factor against the value supplied by the coupling maker as the reaction force may be applied as a drive load especially with intermittent operation.
- When the rotary joint is secured, align the drive shaft and the fixed shaft using the slip fit of the body adapter plate. Using the slip fit facilitates alignment of the axes. Relief port over $\phi 1$ should be installed when securing the top side. Since this product has slight air leakage, offset load may occur if sealing top side when mounting, and excessive abrasion may occur.

Reference coupling/Bellow Flex (Plastic bellows coupling) CHP Model produced by Miki Pulley Co., Ltd.

Rotary joint type	MQR2	MQR4	MQR8	MQR12	MQR16
Coupling part no.	CHP-20	CHP-20	CHP-20 CHP-26	CHP-26 CHP-34	CHP-34





EUROPEAN SUBSIDIARIES:



Austria

SMC Pneumatik GmbH (Austria).
Girakstrasse 8, A-2100 Korneuburg
Phone: +43 2262-62280, Fax: +43 2262-62285
E-mail: office@smc.at
http://www.smc.at



France

SMC Pneumatique, S.A.
1, Boulevard de Strasbourg, Parc Gustave Eiffel
Bussy Saint Georges F-77607 Marne La Vallée Cedex 3
Phone: +33 (0)1-6476 1000, Fax: +33 (0)1-6476 1010
E-mail: contact@smc-france.fr
http://www.smc-france.fr



Netherlands

SMC Pneumatics BV
De Ruyterkade 120, NL-1011 AB Amsterdam
Phone: +31 (0)20-5318888, Fax: +31 (0)20-5318880
E-mail: info@smcpneumatics.nl
http://www.smcpneumatics.nl



Spain

SMC España, S.A.
Zuazobidea 14, 01015 Vitoria
Phone: +34 945-184 100, Fax: +34 945-184 124
E-mail: post@smcsmces.es
http://www.smcsmces.es



Belgium

SMC Pneumatics N.V./S.A.
Nijverheidsstraat 20, B-2160 Wommelgem
Phone: +32 (0)3-355-1464, Fax: +32 (0)3-355-1466
E-mail: post@smcpneumatics.be
http://www.smcpneumatics.be



Germany

SMC Pneumatik GmbH
Boschring 13-15, D-63329 Egelsbach
Phone: +49 (0)6103-4020, Fax: +49 (0)6103-402139
E-mail: info@smc-pneumatik.de
http://www.smc-pneumatik.de



Norway

SMC Pneumatics Norway A/S
Vollsveien 13 C, Granfos Næringspark N-1366 Lysaker
Tel: +47 67 12 90 20, Fax: +47 67 12 90 21
E-mail: post@smc-norge.no
http://www.smc-norge.no



Sweden

SMC Pneumatics Sweden AB
Ekhagsvägen 29-31, S-141 71 Huddinge
Phone: +46 (0)8-603 12 00, Fax: +46 (0)8-603 12 90
E-mail: post@smcpneumatics.se
http://www.smc.se



Bulgaria

SMC Industrial Automation Bulgaria EOOD
16 Kliment Ohridski Blvd., fl.13 BG-1756 Sofia
Phone: +359 2 9744492, Fax: +359 2 9744519
E-mail: office@smc.bg
http://www.smc.bg



Greece

S. Parianosopoulos S.A.
7, Konstantinoupoleos Street, GR-11855 Athens
Phone: +30 (0)1-3426076, Fax: +30 (0)1-3455578
E-mail: parianos@hol.gr
http://www.smceu.com



Poland

SMC Industrial Automation Polska Sp.z o.o.
ul. Konstruktorska 11A, PL-02-673 Warszawa,
Phone: +48 22 548 5085, Fax: +48 22 548 5087
E-mail: office@smc.pl
http://www.smc.pl



Switzerland

SMC Pneumatik AG
Dorfstrasse 7, CH-8484 Weisslingen
Phone: +41 (0)52-396-3131, Fax: +41 (0)52-396-3191
E-mail: info@smc.ch
http://www.smc.ch



Croatia

SMC Industrijska automatika d.o.o.
Cromerac 12, 10000 ZAGREB
Phone: +385 1 377 66 74, Fax: +385 1 377 66 74
E-mail: office@smc.hr
http://www.smceu.com



Hungary

SMC Hungary Ipari Automatizálási Kft.
Budafoki út 107-113, H-1117 Budapest
Phone: +36 1 371 1343, Fax: +36 1 371 1344
E-mail: office@smc-automation.hu
http://www.smc-automation.hu



Portugal

SMC Sucursal Portugal, S.A.
Rua de Engº Ferreira Dias 452, 4100-246 Porto
Phone: +351 22-610-89-22, Fax: +351 22-610-89-36
E-mail: postpt@smc-smces.es
http://www.smces.es



Turkey

Entek Pnömatik San. ve Tic Ltd. Sti.
Perpa Tic. Merkezi Kat: 11 No: 1625, TR-80270 Okmeydanı Istanbul
Phone: +90 (0)212-221-1512, Fax: +90 (0)212-221-1519
E-mail: smc-entek@entek.com.tr
http://www.entek.com.tr



Czech Republic

SMC Industrial Automation CZ s.r.o.
Hudcova 78a, CZ-61200 Brno
Phone: +420 5 414 24611, Fax: +420 5 412 18034
E-mail: office@smc.cz
http://www.smc.cz



Ireland

SMC Pneumatics (Ireland) Ltd.
2002 Citywest Business Campus, Naas Road, Saggart, Co. Dublin
Phone: +353 (0)1-403 9000, Fax: +353 (0)1-464-0500
E-mail: sales@smcpneumatics.ie
http://www.smcpneumatics.ie



Romania

SMC Romania srl
Str. Frunzei 29, Sector 2, Bucharest
Phone: +40 213205111, Fax: +40 213261489
E-mail: smcromania@smcromania.ro
http://www.smcromania.ro



UK

SMC Pneumatics (UK) Ltd
Vincent Avenue, Crownhill, Milton Keynes, MK8 0AN
Phone: +44 (0)800 1382930 Fax: +44 (0)1908-555064
E-mail: sales@smcpneumatics.co.uk
http://www.smcpneumatics.co.uk



Denmark

SMC Pneumatik A/S
Knudsminde 4B, DK-8300 Odder
Phone: +45 70252900, Fax: +45 70252901
E-mail: smc@smc-pneumatik.dk
http://www.smcdk.com



Italy

SMC Italia S.p.A
Via Garibaldi 62, I-20061 Carugate, (Milano)
Phone: +39 (0)2-92711, Fax: +39 (0)2-9271365
E-mail: mailbox@smcitalia.it
http://www.smcitalia.it



Russia

SMC Pneumatik LLC.
36/40 Sredny pr. St. Petersburg 199004
Phone: +812 118 5445, Fax: +812 118 5449
E-mail: smcfa@peterlink.ru
http://www.smc-pneumatik.ru



Estonia

SMC Pneumatics Estonia OÜ
Laki 12-101, 106 21 Tallinn
Phone: +372 (0)6 593540, Fax: +372 (0)6 593541
E-mail: smc@smcpneumatics.ee
http://www.smcpneumatics.ee



Latvia

SMC Pneumatics Latvia SIA
Smerla 1-705, Riga LV-1006, Latvia
Phone: +371 (0)777-94-74, Fax: +371 (0)777-94-75
E-mail: info@smclv.lv
http://www.smclv.lv



Slovakia

SMC Priemysel'ná Automatizácia, s.r.o.
Námestie Martina Benku 10, SK-81107 Bratislava
Phone: +421 2 444 56725, Fax: +421 2 444 56028
E-mail: office@smc.sk
http://www.smc.sk



Finland

SMC Pneumatics Finland OY
PL72, Tiistinniityntie 4, SF-02031 ESPOO
Phone: +358 207 513513, Fax: +358 207 513595
E-mail: smcfin@smc.fi
http://www.smc.fi



Lithuania

UAB Ottensten Lietuva
Savanoriu pr. 180, LT-2600 Vilnius, Lithuania
Phone/Fax: +370-2651602



Slovenia

SMC industrijska Avtomatika d.o.o.
Grajski trg 15, SLO-8360 Zuzemberk
Phone: +386 738 85240 Fax: +386 738 85249
E-mail: office@smc-ind-avtom.si
http://www.smc-ind-avtom.si



OTHER SUBSIDIARIES WORLDWIDE:

ARGENTINA, AUSTRALIA, BOLIVIA, BRASIL, CANADA, CHILE,
CHINA, HONG KONG, INDIA, INDONESIA, MALAYSIA, MEXICO,
NEW ZEALAND, PHILIPPINES, SINGAPORE, SOUTH KOREA,
TAIWAN, THAILAND, USA, VENEZUELA

<http://www.smceu.com>
<http://www.smcworld.com>