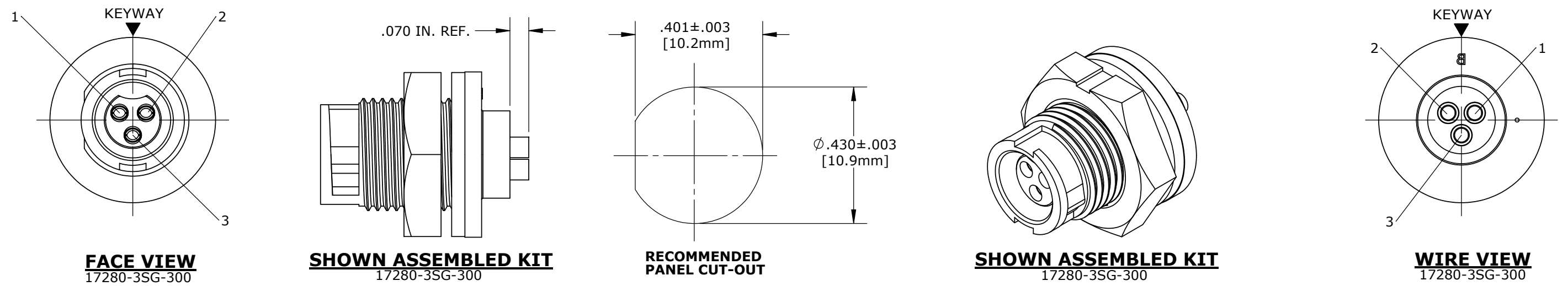
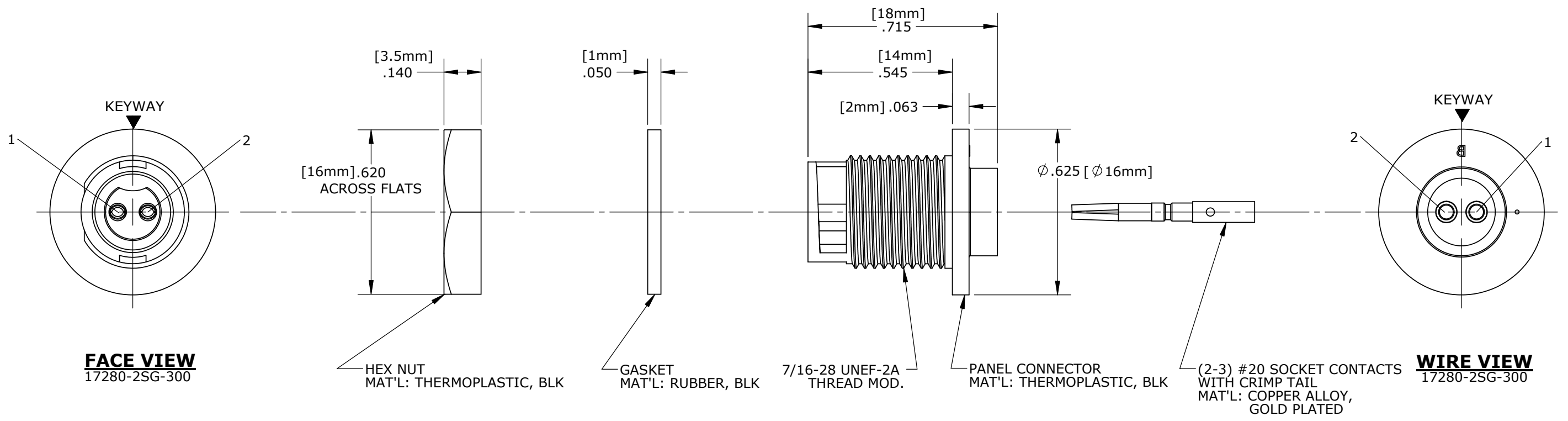


ASS'Y P/N	NO. OF CONTACTS
17280-2SG-300	(2) #20
17280-3SG-300	(3) #20

**NOTES:**  
1. ALL PARTS TO BE BULK PACKED.



**CUSTOMER APPROVAL**  
THIS DOCUMENT CONTAINS CONFIDENTIAL INFORMATION PROPRIETARY TO CONXALL CORPORATION. ANY REPRODUCTION, DISCLOSURE, OR USE OF THIS DOCUMENT /INFORMATION IS EXPRESSLY PROHIBITED UNLESS AUTHORIZED IN WRITING BY CONXALL CORPORATION.  
APPROVED BY: \_\_\_\_\_  
DATE: \_\_\_\_\_

DIMENSIONS IN BRACKET [ ] ARE METRIC

**RoHS COMPLIANT**

REV.	INIT.	DATE	DESCRIPTION
A	JD	02-22-17	DRAWING CREATED PER DOR 17-E149SL(4)
<small>ALL INFORMATION ILLUSTRATED IS THE PROPERTY OF CONXALL CORPORATION. UNAUTHORIZED DUPLICATION OR DISTRIBUTION OF THIS DOCUMENT IS PROHIBITED.</small>			<small>ORIG. DRAWN BY: JD DATE: 02-22-17</small> <small>CHECKED BY:</small>
<small>ALL UNITS ARE IN FEET, INCHES, FRACTION OF INCHES AND DECIMALS.</small>			<small>APPROVED BY:</small>
SCALE	SIZE	SHEET	<b>conxall</b> 601 E. WILDWOOD VILLA PARK, IL 60181 <b>TITLE:</b> PANEL CONNECTOR ASSEMBLY (2-3) #20 SOCKET CONTACTS, CRIMP TAIL MICRO-CON-X <b>CUSTOMER:</b> STANDARD PRODUCT
NTS	B	1 OF 1	
FILE:	DIRECTORY:	PART NUMBER:	REV
17280-XSG-300	SLW	17280-XSG-300	A

PART NUMBER: 17280-XSG-300

# Mouser Electronics

Authorized Distributor

Click to View Pricing, Inventory, Delivery & Lifecycle Information:

[Switchcraft:](#)

[17280-2SG-300](#) [17280-3SG-300](#)