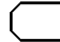
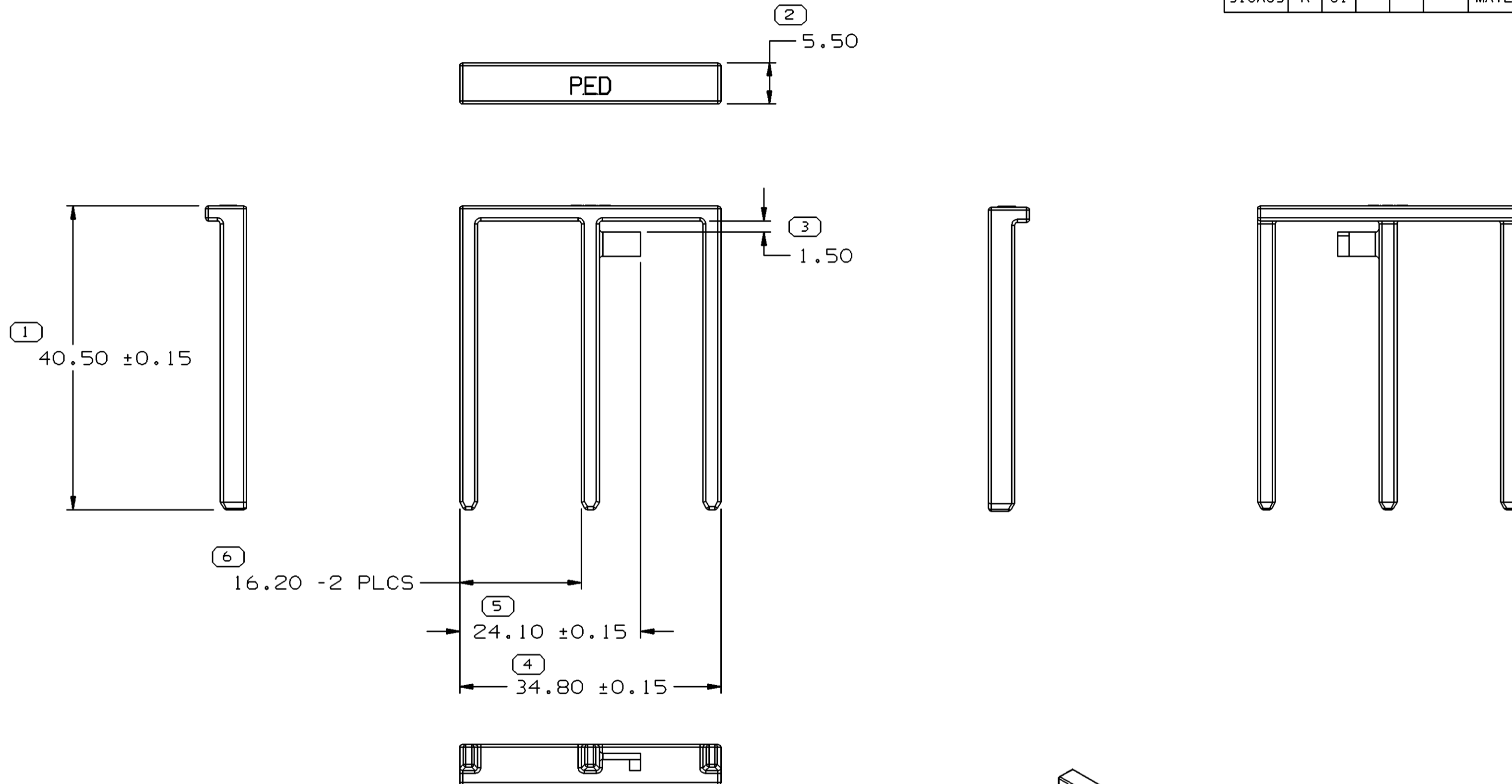


SYMBOL DEFINITION		
A DIMENSION WITHOUT AN INSPECTION REPORT SYMBOL  DOES NOT REQUIRE INSPECTION. IT MAY BE CONTROLLED ON THE INDIVIDUAL COMPONENT DRAWING.	TOTAL NO. OF INSPECTIONS REQUIRED	6
	LAST NO. USED	6

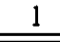
MISSING SYMBOLS	
NO MISSING SYMBOL NUMBER	6

DWG STATUS					ZONE	REVISION HISTORY				AUTH	DR	APVD 1	APVD 2	
DATE	STG	REV	N/P	CHG										
14JN93		A				P.I.D. CREATED				930012		RKR	RKR	
20AU93		A1				WAS PE040747 & RELEASED				930005		RKR	RCH	
17N093		A2				DRAWING REVISED				930017		SMP	TLM	
10FE98		B				REVISED GRAPHICS				184581		AM	JIB	
10FE98		C				REMOVED CHAMFER				184586		AM	JIB	
31JA05	R	C1	-	-		MATERIAL WAS R0071780				264080		MJM	MJM	ET

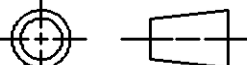



NOTES

- UNLESS OTHERWISE SPECIFIED AND/OR INDICATED:
DIMENSIONS ARE TO FACE OF VIEW SHOWN AND AUTOMATICALLY ROUNDED BY COMPUTER FOR INSPECTION (SEE MATH MODEL FOR PRECISE DIMENSIONS). FOR ALL OTHER DIMENSIONS NOT SHOWN BUT REQUIRED FOR TOOL BUILD, SEE MATH MODEL FOR PRECISE TOOL PATH DATA.
- MATERIAL RECYCLING CODE PER SAE J1344. (2.3)X(0.1) RAISED CHARACTERS AS SHOWN TO BE LOCATED ON ANY EXTERIOR SURFACE. OPTIONAL CONSTRUCTION TO BE NO MATERIAL RECYCLING CODE.
- REFERENCE MATING COMPONENTS OR EQUIVALENT:
CONNECTOR 12146815 CONVENIENCE CENTER
- (2.3)X(0.1) RAISED DELPHI CORPORATE BRAND TO BE LOCATED ON ANY EXTERIOR SURFACE, PREFERABLY VISIBLE AT FINAL ASSEMBLY. OPTIONAL CONSTRUCTION TO BE "PED" OR NO LOGO.

 PROCESS SENSITIVE DIMENSION
DIMENSIONS ENCLOSED IN () INDICATE REFERENCE DIMENSIONS AND NO TOLERANCE LIMITS ARE ESTABLISHED

DIMENSIONAL RANGE (MM)										CHART E1	
FROM	> 0	> 20	> 30	> 70	> 100	> 150	> 200	> 250	> 300		
TO	20	30	70	100	150	200	250	300	400		
TOLERANCE UNLESS OTHERWISE SPECIFIED											
±0.15 ±0.2 ±0.3 ±0.4 ±0.5 ±0.6 ±0.8 ±1 ±1.2											
ANGULAR TOLERANCE ±2°											

DWG TYPE		PART DRAWING	
STYLE			
VOLUME (CM ³)	DISTR CODE		
1.344	D		
UNLESS OTHERWISE SPECIFIED			
THIS DOCUMENT IS IN ACCORDANCE WITH ASME Y14.5M-1994 AS AMENDED BY THE GM GLOBAL DIMENSIONING AND TOLERANCING ADDENDUM - 1997. ALL GEOMETRIC TOLERANCES AND RELATED DATUMS APPLY RFS. RULE #1 (PERFECT FORM AT MMC) DOES NOT APPLY WHEN RELATIONSHIP BETWEEN FEATURES IS ESTABLISHED BY ORIENTATION OR LOCATION TOLERANCES. SEPARATE POSITION CALLOUTS MAY BE GAGED SEPARATELY, REGARDLESS OF DATUM REFERENCE.			
ALL DIMENSIONS ARE IN MILLIMETERS			
REFERENCE			
THIRD ANGLE PROJECTION		DO NOT SCALE	
		USE MATH DATA	
			

DELPHI			
DELPHI PACKARD ELECTRIC SYSTEMS WARREN, OH			
DR DAN HUFF		DATE 14JN93	
APVD1 RICHARD RACZ		14JN93	
APVD2 RICHARD RACZ		14JN93	
APVD3 G. HERLINGER		23JN93	
APVD4			
APVD5			
SUBSTANCES OF CONCERN AND RECYCLED CONTENT PER DELPHI 10949001			
MATERIAL M3592008 PA66 HS IM BLU			
DRAWING NAME LOCK TPA COMB BLU			
DRAWING NUMBER 12146816			
SIZE A2	SCALE 2:1	FRAME NO 1 OF 1	SHEET NO 1 OF 1
STG R	REV C1	N/P -	

Mouser Electronics

Authorized Distributor

Click to View Pricing, Inventory, Delivery & Lifecycle Information:

[Aptiv:](#)

[12146816](#)