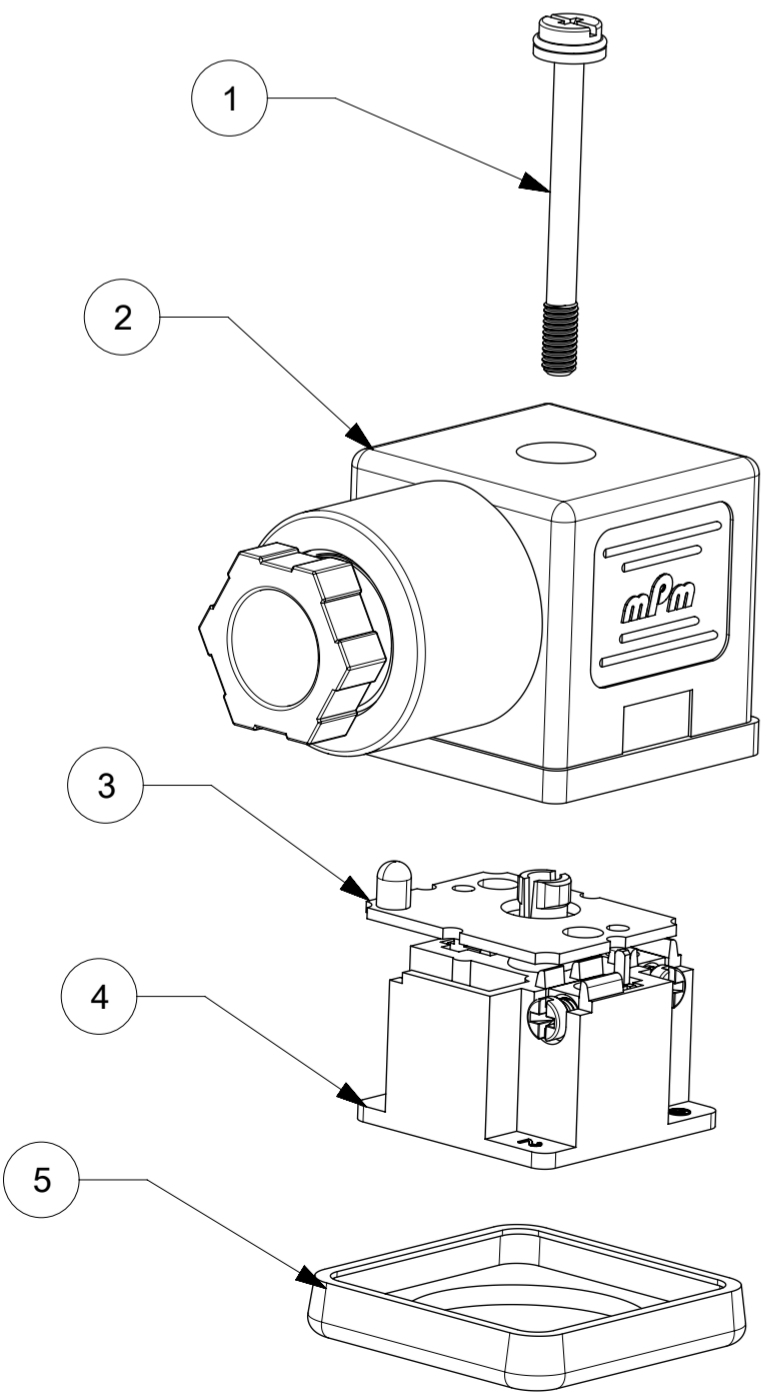


# S18 3 09 T A1 2 2 \*\*

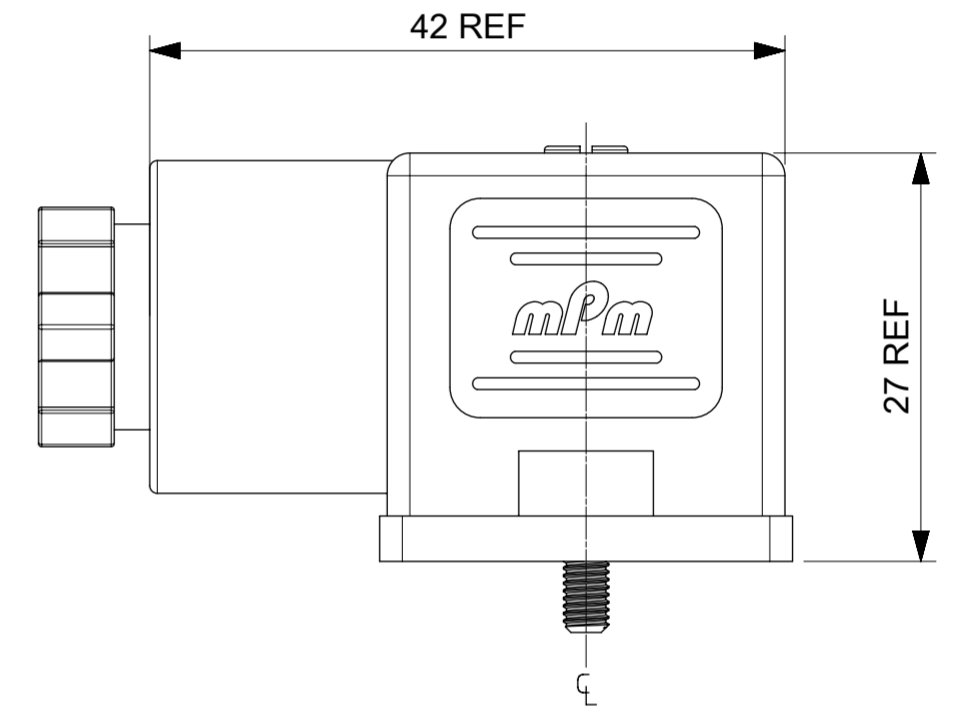
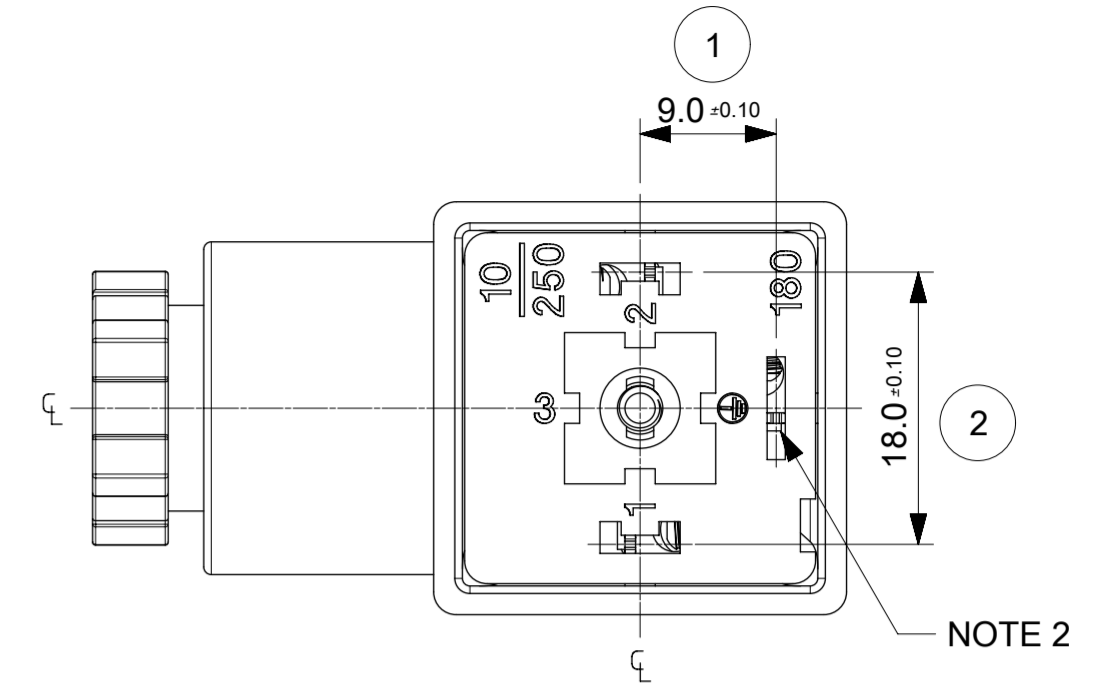
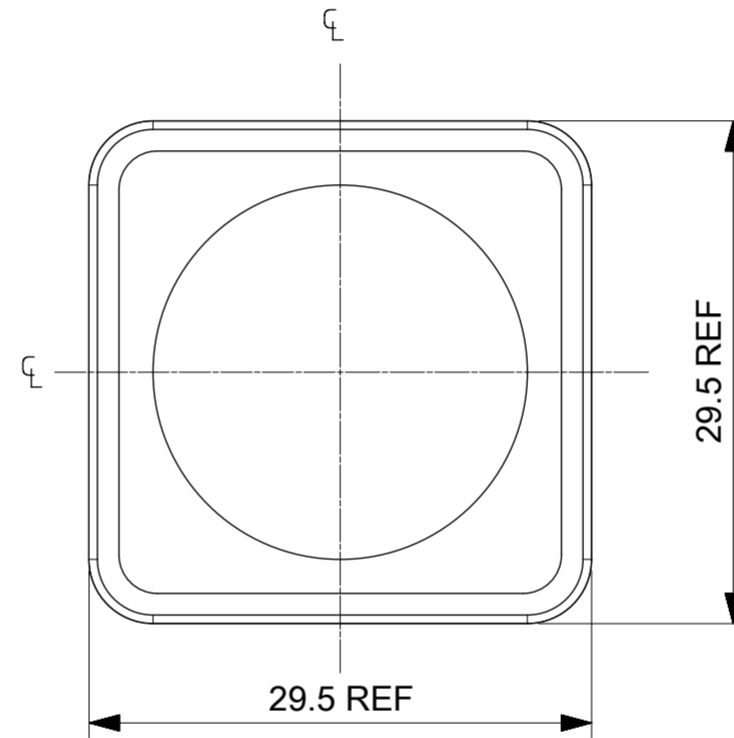
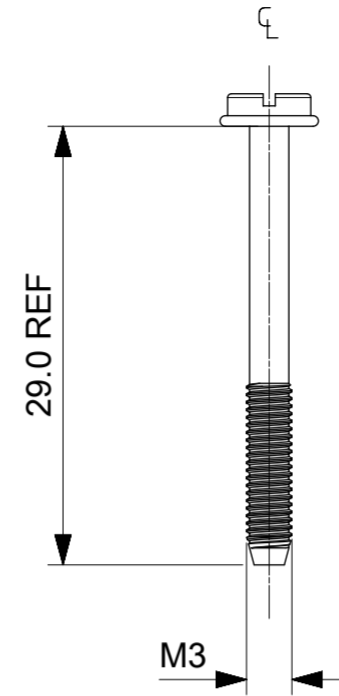
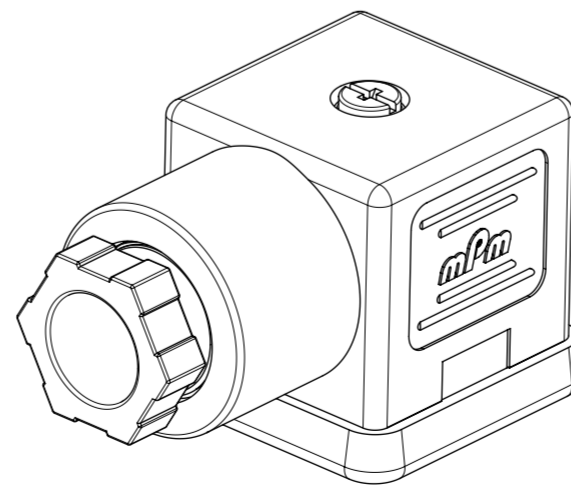
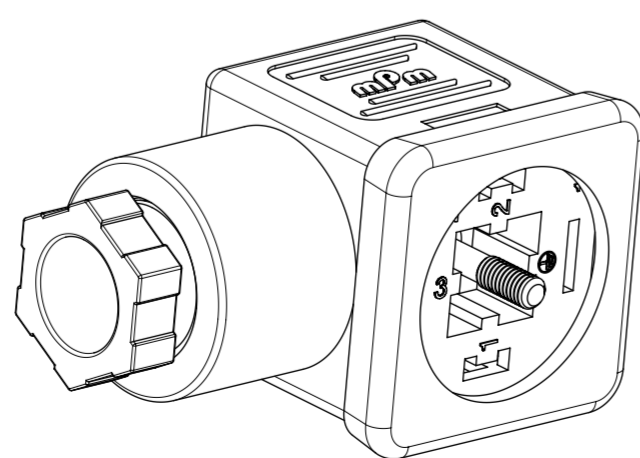
SERIES \_\_\_\_\_  
 S18= INTERNAL THREAD FORM A  
 POLES \_\_\_\_\_  
 2= 2 POLE & 3= 3 POLE  
 THREAD \_\_\_\_\_  
 09= PG9, 11= PG11, M6=M16x1.5, M0= M20x1.5, 12= 1/2" GAS 13= 1/2" NPTF  
 MATERIAL AND HOUSING COLOUR \_\_\_\_\_  
 G= PA6 GRAY, N= PA6 BLACK, W= PA6 BLACK V0, T= PA12 TRANSPARENT,  
 B= PA6 WHITE  
 CIRCUIT \_\_\_\_\_  
 SEE DETAILS IN CATALOGUE  
 VOLTAGE \_\_\_\_\_  
 SEE DETAILS IN CATALOGUE  
 SCREW AND GASKET \_\_\_\_\_

1= NBR PROFILE GASKET & SCREW  
 2= NBR FLAT GASKET & SCREW  
 3= WHITE SILICON PROFILE GASKET & SCREW  
 4= WHITE SILICON FLAT GASKET & SCREW  
 A= NBR PROFILE GASKET & SCREW +2mm  
 B= NBR FLAT GASKET & SCREW +2mm  
 P= SCREW WITH GROMMET (IP67) &  
 NBR INTEGRATED GASKET ASSEMBLED

NON STANDARD COMPONENTS  
 14= PACKED IN NEUTRAL BAG  
 23= FULLY MOUNTED  
 54= WITH PIN 3 AS EARTH  
 65= SPECIAL GROMMET  
 67= NEUTRAL PACKAGING  
 84= TAMPO PRINTING ON DIODE  
 3F= 24DC W/O TAMPO PRINTING  
 5J= BOXES OF 100  
 5N= PACKED IN BOXES OF 200  
 6U= GI BY500-800 DIODE  
 AF= CENTRE SCREW MOUNTED  
 AG= DIODE IN4948  
 P7= IP67 COMPLIANT  
 SA= UL LISTED PART  
 CZ= GROMMET 4 DISCRETE WIRES



ITEM	DESCRIPTION
1	SCREW
2	COVER ASSEMBLY
3	PCB
4	INSERT ASSEMBLY
5	GASKET



### NOTES

- PLEASE SEE EXCEL SHEET 1210640002\_PDP FOR CURRENTLY CONFIGURED PART NUMBERS.  
 FOR SPECIFIC PART NUMBERS PLEASE CONTACT SALES OR CONSULT THE INTELLIGENT PART NUMBER ON THE TOP LEFT OF THIS PAGE.
- EARTH POSITION SHOWN, H12.
- FOR PACKAGING SEE PACKAGING SPEC PK-121064-S18
- PRODUCT SPEC: SEE PS-121201-001

LAST INSPECTION NUMBER 2

2016/12/16		2016/12/22		GENERAL TOLERANCES (UNLESS SPECIFIED)		DIMENSION UNITS		SCALE		<b>molex</b>	
AE		REV		4 PLACES ±		MM		1.5:1			
EC NO: 108491		CHKD: STGRIFFIN		3 PLACES ±		DRWN BY		DATE		S18 SERIES INTERNAL THREAD	
DRWN: TCLEARY		APPR: STGRIFFIN		2 PLACES ± 0.1		BCAFFREY		2016/04/11			
CHGD: TCLEARY		APPR: STGRIFFIN		1 PLACE ± 0.2		CHK'D BY		DATE		PRODUCT CUSTOMER DRAWING	
APPR: STGRIFFIN		APPR: STGRIFFIN		0 PLACES ±		TCLEARY		2016/12/16			
DRAFT WHERE APPLICABLE MUST REMAIN WITHIN DIMENSIONS		DRAWING SIZE		THIRD ANGLE PROJECTION		SERIES		MATERIAL NUMBER		CUSTOMER	
A2		A2		THIRD ANGLE PROJECTION		121064		SEE 1210640002_PDP		GENERAL MARKET	
						DOCUMENT NUMBER		DOC TYPE		DOC PART SHEET NUMBER	
						SD-121064-002		PSD		000 1 OF 1	

# Mouser Electronics

Authorized Distributor

Click to View Pricing, Inventory, Delivery & Lifecycle Information:

[Molex:](#)

[1210640674](#)