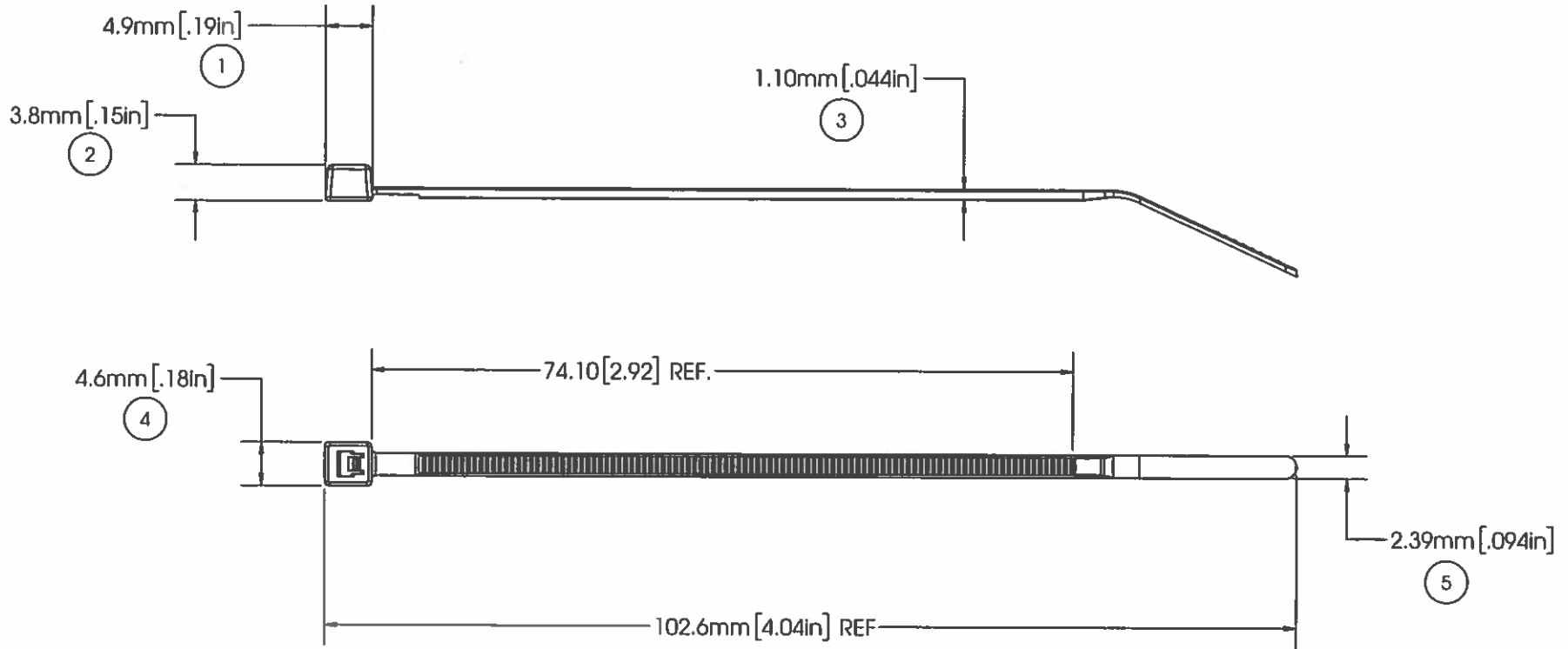


# AVERY DENNISON MARKETING SPECIFICATION

## HISTORY

REV.	DATE	DESCRIPTION
A	2/27/17	INITIAL RELEASE

THE SUBJECT MATTER DISCLOSED HEREIN EMBODIES PROPRIETARY INFORMATION WHICH IS THE CONFIDENTIAL PROPERTY OF THE AVERY DENNISON CO. NONE OF WHICH SHALL BE COPIED, REPRODUCED, DISCLOSED TO OTHERS, PUBLISHED OR USED IN WHOLE OR IN PART, FOR ANY PURPOSE OTHER THAN THAT FOR WHICH IT IS BEING MADE AVAILABLE WITHOUT THE EXPRESS ADVANCE WRITTEN PERMISSION OF A DULY AUTHORIZED AGENT OF THE COMPANY. THIS DOCUMENT IS THE PROPERTY OF THE AVERY DENNISON CO. AND IS TO BE RETURNED TO THE COMPANY ON DEMAND.



⑥	Δ LOOP TENSILE:	18 LBF / 80N MIN.
⑦	Δ FLAMMABILITY:	HB RATED PER FMVSS302
	OPERATING TEMP RANGE:	-40°F (-40°C) TO 302°F (150°C) CONTINUOUS AND 329°F (165°C) AT MAXIMUM EXPOSURE
	MIN. INSTALLATION TEMP:	32°F (0°C)
	WEIGHT:	0.3 g. / 0.01 oz
	BUNDLE DIAMETER:	Ø 1.6mm (.06in) TO Ø 2.2mm (.87in)
	TOOL:	12001 - HAND INSTALLATION TOOL 12500 - PNUEM. INSTALLATION TOOL
	TOOL TENSION SETTING:	1 - 3
	PACKAGING:	1000/BAG 25000/CASE

**NOTES:**  
1. Δ INDICATES A SPECIAL CHARACTERISTIC

**APPROVALS:** ENG. APPR. *[Signature]* 2/27/17  
Q.A. APPR. *[Signature]* 2/27/17

**AVERY DENNISON**

FASTENER DIVISION  
FITCHBURG, MA 01420 U.S.A.  
TEL. 1-800-225-5913  
FAX. 978-353-8157

**SPECIFIED TOLERANCES ARE:**

.XX ± .03 IN.	.X ± .7 MM
.XXX ± .010 IN.	.XX ± .25 MM
ANGULAR: ± 2°	

<b>MATERIAL</b> NYLON 6/6, IMPACT MODIFIED HEAT STABILIZED
<b>COLOR</b> <b>BROWN</b>

<b>DESCRIPTION</b> 4 " CABLE TIE MINIATURE, HIGH HEAT	
<b>STOCK NO.</b> <b>08404-HHBN</b>	<b>REV.</b> <b>A</b>

# Mouser Electronics

Authorized Distributor

Click to View Pricing, Inventory, Delivery & Lifecycle Information:

[Avery Dennison:](#)

[08404-0](#)