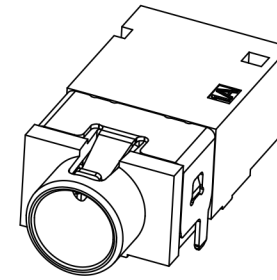
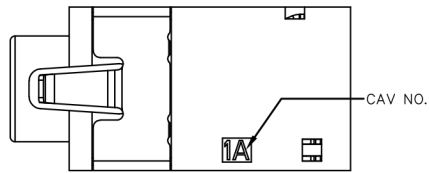
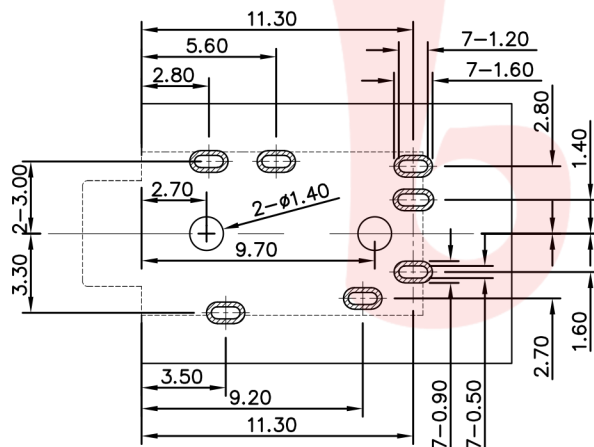
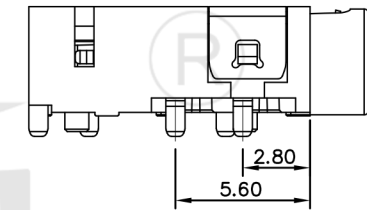
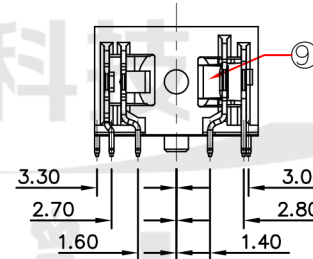
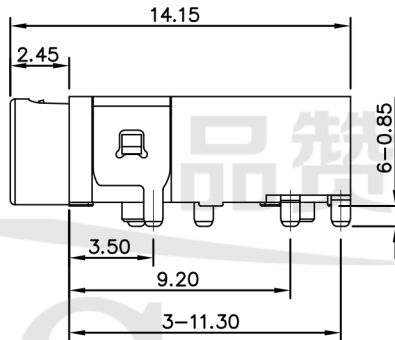
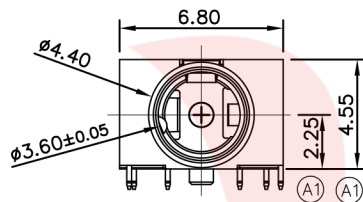
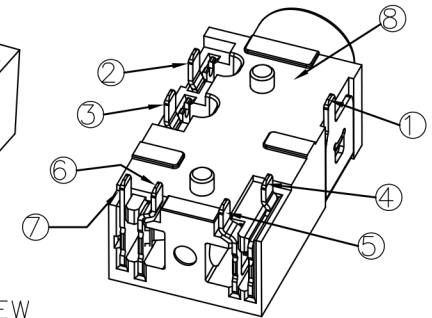


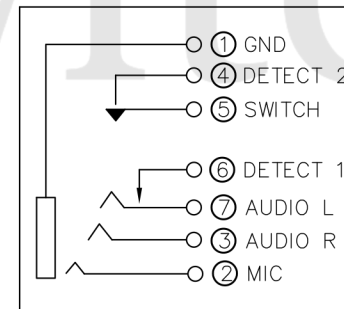
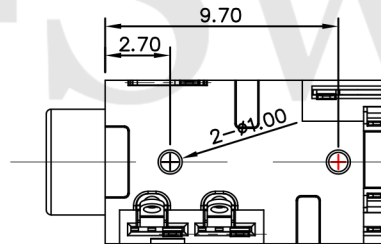
( $\phi 3.50\text{mm}$  4 POLE PLUG DETAIL DRAWING)



3D VIEW



RECOMMENDED PCB LAYOUT  
TOP VIEW TOL:  $\pm 0.05$



SCHMATIC

技术要求:

- 电气及机械特性要求如下:
  - 接触阻抗: 50mΩ以下;
  - 绝缘阻抗: 100MΩ以上;
  - 耐电压: 500V AC以上;
  - 耐插拔: 5,000次以上;
  - 插入力: 0.3~3.0kgf (3~30N);
  - 拔出力: 0.3~3.0kgf (3~30N).
- 除特殊说明外, 无标示的尺寸均为参考尺寸;
- 产品符合RoHS环保标准要求.

09	INSULATOR	1 PCS	HIGH TEMPERATURE PLASTIC	BLACK COLOR,UL94 V-HB
08	HOUSING	1 PCS	HIGH TEMPERATURE PLASTIC	BLACK COLOR,UL94 V-HB
07	CONTACT F	1 PCS	PHOSPHOR BRONZE T=0.20mm	GOLD FLASH
06	CONTACT E	1 PCS	STAINLESS STEEL T=0.20mm	GOLD FLASH
05	CONTACT D	1 PCS	PHOSPHOR BRONZE T=0.20mm	GOLD FLASH
04	CONTACT C	1 PCS	PHOSPHOR BRONZE T=0.20mm	GOLD FLASH
03	CONTACT B	1 PCS	PHOSPHOR BRONZE T=0.20mm	GOLD FLASH
02	CONTACT B	1 PCS	PHOSPHOR BRONZE T=0.20mm	GOLD FLASH
01	CONTACT A	1 PCS	PHOSPHOR BRONZE T=0.20mm	GOLD FLASH
ITEM	PART NAME	Q'TY	MATERIAL	DESCRIPTION



	<b>G-Switch Electronic (HongKong) CO.,Ltd.</b>		
	DESIGN 陈锋枫 CHECKED APPROVED http://www.dg-switch.com TEL:0769-82388879	DATE 2016.05.29 DATE DATE	TITLE: <b>ST-0337D00-071-1A2H</b> REV.: X1 SCALE: 4:1 UNIT: mm SIZE: A4 SHEET: 1/1
Unless otherwise specified, Tolerance: X. ±0.30 X.x ±0.20 X.xx ±0.15 X.xxx ±0.10 Angles ±3°			