

EC axial compact fan

straight blades (A series)

ebm-papst Mulfingen GmbH & Co. KG

Bachmühle 2 · D-74673 Mulfingen

Phone +49 7938 81-0

Fax +49 7938 81-110

info1@de.ebmpapst.com

www.ebmpapst.com

Limited partnership · Headquarters Mulfingen

Amtsgericht (court of registration) Stuttgart · HRA 590344

General partner Elektrobau Mulfingen GmbH · Headquarters Mulfingen

Amtsgericht (court of registration) Stuttgart · HRB 590142

Nominal data

Type	W2G115-AD17-02	
Motor	M2G045-BA	
Nominal voltage	VDC	24
Method of obtaining data		fa
Speed (rpm)	min ⁻¹	2800
Power consumption	W	4.7
Min. ambient temperature	°C	-25
Max. ambient temperature	°C	72

ml = Max. load · me = Max. efficiency · fa = Free air · cs = Customer specification · ce = Customer equipment
Subject to change



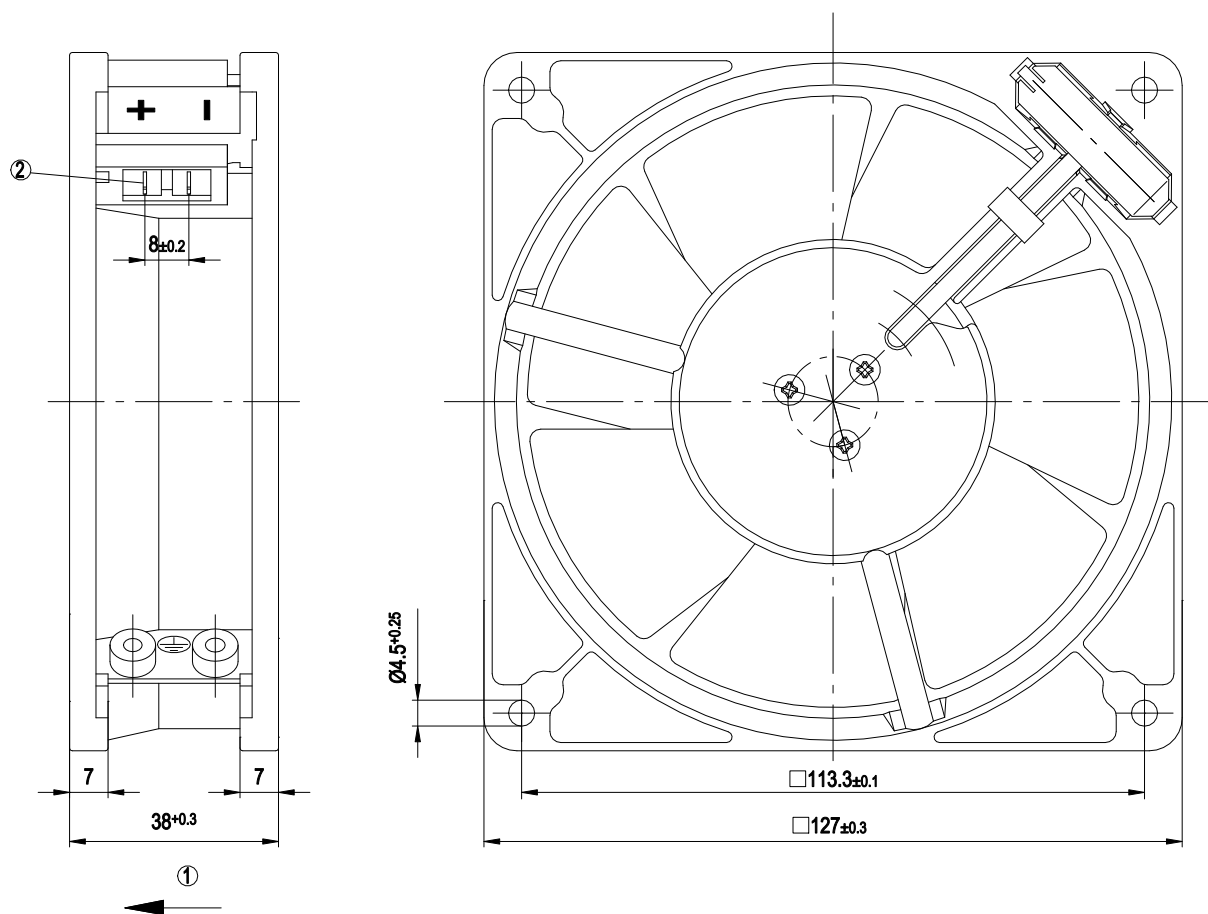
Technical description

Size	115 mm
Motor size	45
Rotor surface	Painted black
Blade material	Sheet steel, painted black
Fan housing material	Die-cast aluminum, painted black
Number of blades	7
Airflow direction	V
Direction of rotation	Counterclockwise, viewed toward rotor
Degree of protection	IP22
Insulation class	"B"
Moisture (F) / Environmental (H) protection class	H0+
Max. permitted ambient temp. for motor (transport/storage)	+ 80 °C
Min. permitted ambient temp. for motor (transport/storage)	- 40 °C
Installation position	Any
Condensation drainage holes	None
Mode	S1
Motor mounting	Ball bearing
Technical features	- Motor current limitation
EMC immunity to interference	According to EN 61000-6-2 (industrial environment)
EMC interference emission	According to EN 55022 (Class A)
Electrical hookup	Plug
Motor protection	Reverse polarity and locked-rotor protection
Protection class	I (with customer connection of protective earth)
Conformity with standards	EN 60950-1
Approval	EAC; UL 507

EC axial compact fan

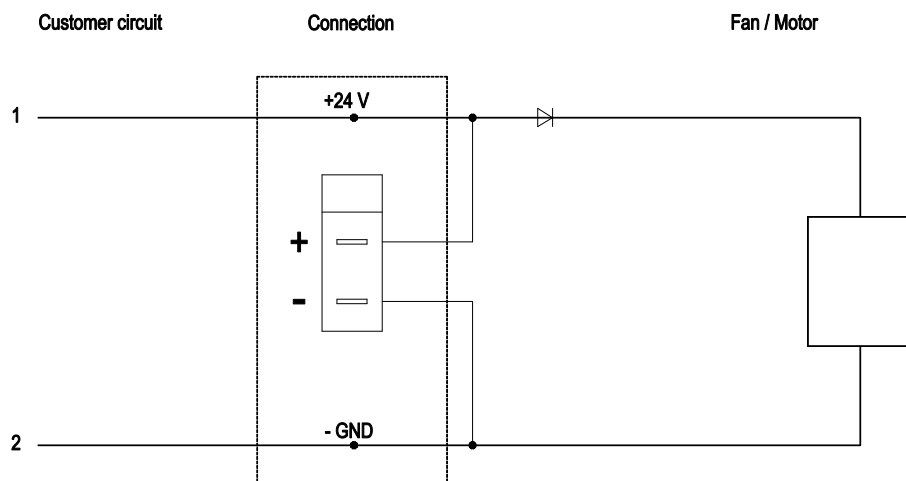
straight blades (A series)

Product drawing



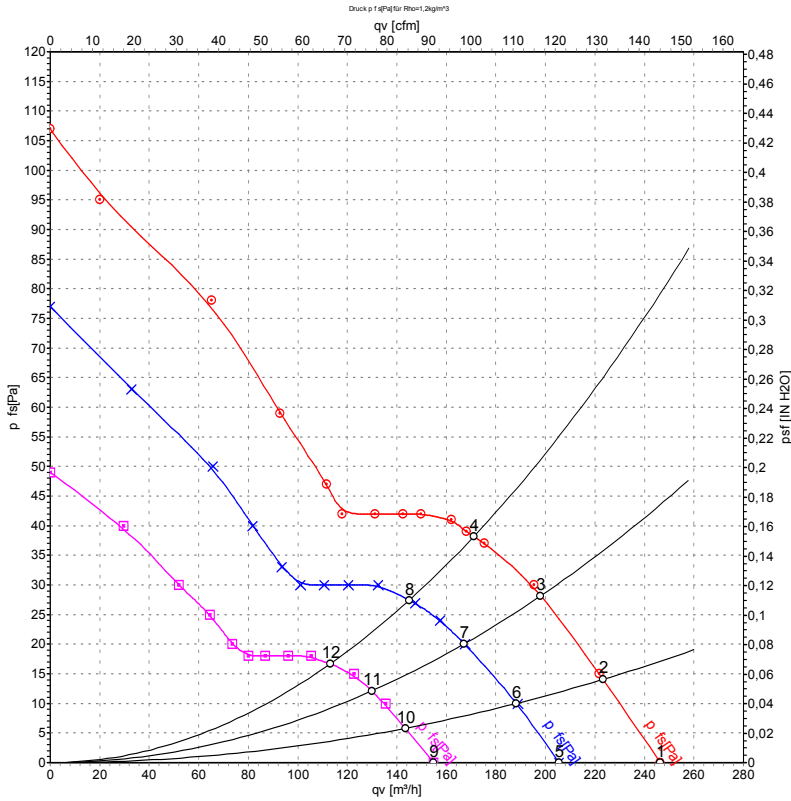
- | | |
|---|---|
| 1 | Direction of air flow "V" |
| 2 | 2x flat plug 2.8x0.5 (AMP no. 170058-2) |

Connection diagram



No.	Conn.	Designation	Color	Function/assignment
1	1	UN +24V	red	Power supply +24 V / see nameplate for voltage range, maximum ripple $\pm 3.5\%$
1	2	GND	blue	Reference ground

Curves: Air performance



Measurement: LU-9346-1
 Measurement: LU-9345-1
 Measurement: LU-9347-1

Air performance measured according to ISO 5801 installation category A. For detailed information on the measurement setup, contact ebm-papst. Intake sound level: Sound power level according to ISO 13347 / sound pressure level measured at 1 m distance from fan axis. The values given are valid under the specified measuring conditions and may vary due to conditions of installation. For deviations from the standard configuration, the parameters have to be checked on the installed unit.

Measured values

	U	n	P _{ed}	I	q _v	p _{fs}	q _v	p _{fs}
	V	min ⁻¹	W	A	m ³ /h	Pa	cfm	in. wg
1	30	3405	8.0	0.27	245	0	145	0.00
2	30	3305	8.2	0.27	225	14	130	0.06
3	30	3225	8.9	0.30	200	28	115	0.11
4	30	3165	9.2	0.31	170	38	100	0.15
5	24	2800	4.7	0.20	205	0	120	0.00
6	24	2780	4.9	0.21	190	10	110	0.04
7	24	2710	5.2	0.22	165	20	100	0.08
8	24	2665	5.6	0.23	145	28	85	0.11
9	18	2180	2.40	0.13	155	0	90	0.00
10	18	2140	2.58	0.14	145	6	85	0.02
11	18	2095	2.74	0.15	130	12	75	0.05
12	18	2065	2.80	0.16	115	17	65	0.07

U = Power supply · n = Speed (rpm) · P_{ed} = Power consumption · I = Current draw · q_v = Air flow · p_{fs} = Pressure increase

