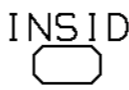
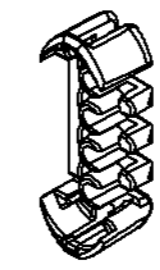
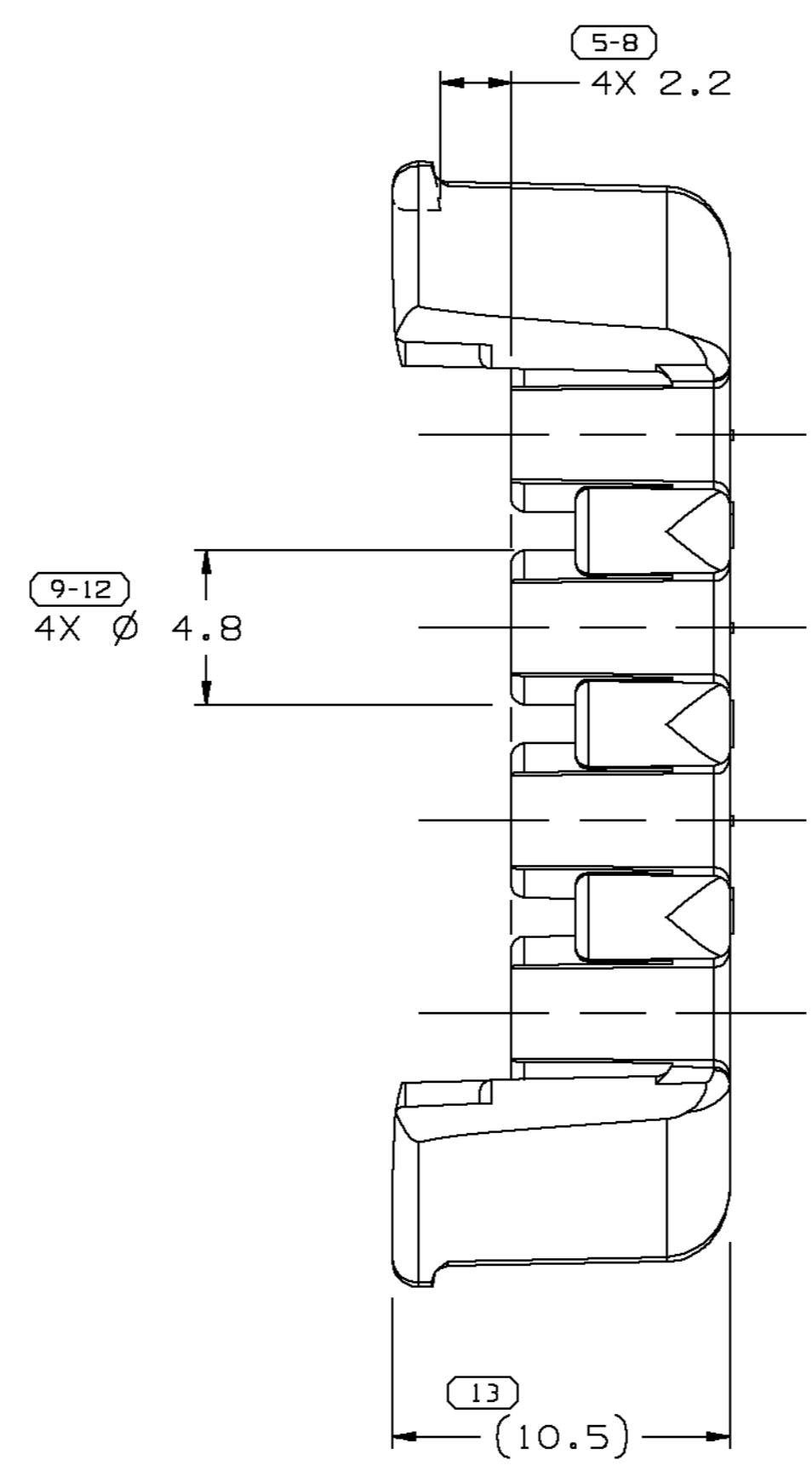
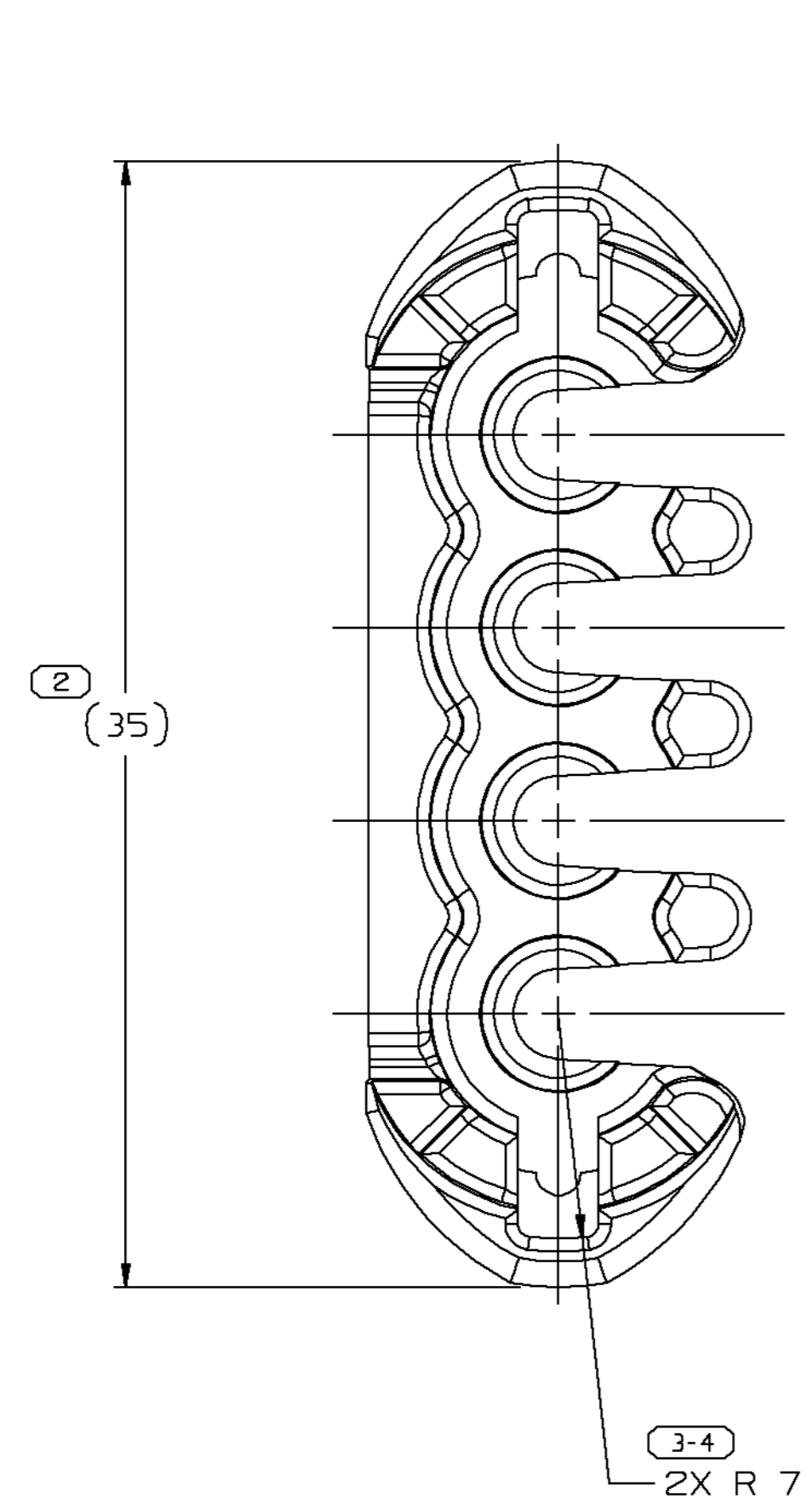
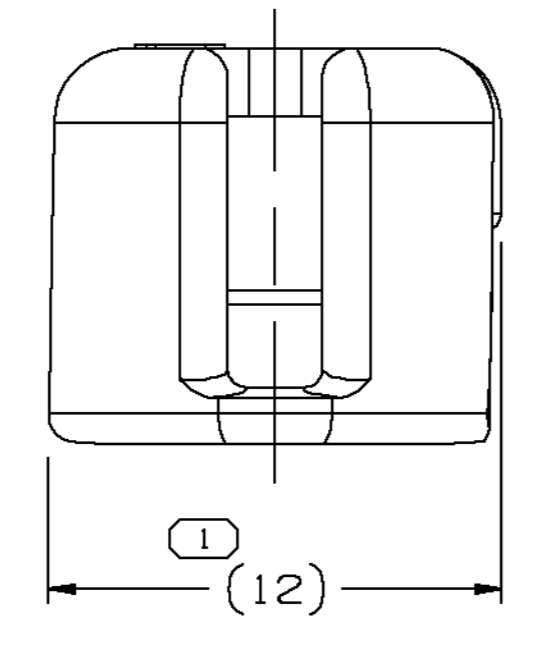


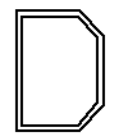

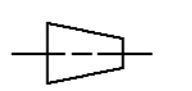
SYMBOL DEFINITION		MISSING NUMBERS	
THE NUMBER INSIDE THE SYMBOL  CORRESPONDS TO THE NUMBER ON THE INSPECTION REPORT FOR THIS DRAWING/PART NUMBER	TOTAL NO. OF SYMBOLS ON DRAWING	6	
	LAST NO. USED	13	

DWG STATUS				ZONE	REVISION HISTORY	AUTH	DR	CK	APVD
DATE	STG	REV	CHG/N/P						
04N098	R	001	-		ALL PARTS - REDRAWN TO PD; 12047948	188898	GEG	GMC	JR
04N098	R	002	-		ALL PARTS - UPDATED PDM ATTRIBUTES	191525	GEG	GMC	JR
045E00	R	003	-		12186478 - MATL' SPEC WAS R0063785	202903	JYD	GMC	DN



NOTES

- UNLESS OTHERWISE SPECIFIED AND/OR INDICATED: DIMENSIONS ARE TO FACE OF VIEW SHOWN AND AUTOMATICALLY ROUNDED BY COMPUTER FOR INSPECTION. (SEE MATH MODEL FOR PRECISE DIMENSIONS.) FOR ALL OTHER DIMENSIONS NOT SHOWN BUT REQUIRED FOR TOOL BUILD, SEE MATH MODEL FOR PRECISE TOOL PATH DATA.
- MATING COMPONENTS OR EQUIVALENT: CONNECTOR 12047947

DELPHI Automotive Systems		DIMENSIONAL RANGE (MM) CHART E	
MATERIAL SPEC SEE CHART		FROM TO	> 20 > 30 > 70 > 100
		TOLERANCE UNLESS OTHERWISE SPECIFIED	
		±0.15 ±0.2 ±0.3 ±0.4 ±0.5	
		ANGULAR TOLERANCE ± 2°	
PART DRAWING			
CODE NUMBER 6900	DWG DATE 24FE96	SCALE 5:1	
QC SPEC	STYLE	VOLUME cm³ SEE DWG	
PART GEOMETRY 3D SOLID		UNLESS OTHERWISE SPECIFIED:	
		PERFECT FORM REQUIRED FOR FEATURES OF SIZE AT MMC. TRUE POSITION TOLERANCES AND RELATED DATUMS APPLY AT CONDITION OF SIZE INDICATED IN FEATURE CONTROL FRAME. ALL OTHER GEOMETRIC TOLERANCES AND RELATED DATUMS APPLY RFS. SEPARATE TRUE POSITION CALLOUTS MAY BE GAGED SEPARATELY, REGARDLESS OF DATUM REFERENCE.	
CHANGE RESTRICTED NO MANUAL CHANGES			
COPY OF MATH DATA DO NOT SCALE		REFERENCE 001,701	DATE
METRIC UNLESS OTHERWISE SPECIFIED, ALL DIMENSIONS ARE IN MILLIMETERS		APVD1 G. ESTRADA	04N098
		APVD2 G. MACIAS	10N098
		APVD3 J. REIDER	15MR99
		APVD4	
		APVD5	
THIRD ANGLE PROJECTION		DRAWING NAME	
		TAXI TPA M/P 150	
SHEET NUMBER 1 OF 1		DRAWING NUMBER 12186580	
		DWG STATUS STG REV N/P	
		R 003 -	
		SIZE A1	

PART NO	STG	REV	N/P	STATUS	MATERIAL SPECIFICATION AND COLOR	VOL CM³
12186478	R	002	-		R0071769 PA66 HS IM GRA-LT	1.228
12047948	R	F	-		R0071754 PA66 HS IM-BLK	1.228

(9-12) PROCESS SENSITIVE DIMENSION
DIMENSIONS ENCLOSED IN () INDICATE REFERENCE DIMENSIONS AND NO TOLERANCE LIMITS ARE ESTABLISHED