

## Push-in fittings NPQM

**FESTO**



## Key features

### Application



Choosing the right fitting is effortless. Festo offers the right solution for every connection. 1000 types of standard and function fittings, Festo offers a secure solution for every connection.

### Overview of tubing/fitting combinations

Applications	Fitting	Tubing	Description
Standard	QS	PEN	Suitable for a wide range of tasks and attractively priced. Flexible with highly resistant materials, easy to install with optimised bending radii. High level of abrasion resistance in dynamic applications.
	QS	PUN	Maximum flexibility in standard applications with an extremely wide range of options for combining the different types.
	QS	PAN	Meets all requirements, even for standard applications with increased pressure and temperature ranges.
High pressures	NPQM	PAN-MF	Meets DIN standard 73378: ideal for use in mobile pneumatics. Suitable for increased temperature ranges combined with high pressure ranges.
	NPQH	PAN-R	High performance in pressure ranges up to 20 bar, for example in applications with the pressure booster DPA.
Resistant to chemicals and hydrolysis, food-safe	NPQP	PLN	Resistant to cleaning agents, FDA-compliant and economical. Can be used instead of the combination with stainless steel fittings.
	NPKA	PUN-H	Hydrolysis-resistant and suitable for water applications. Combination suitable for use in clean rooms, FDA compliant and corrosion resistant, made of 100% polymer. Very easy to install with the "one click principle".
	NPQH	PFAN/PTFEN	For high temperatures up to 150 °C. Food-safe, FDA-compliant and resistant to cleaning agents.
	NPCK	PFAN/PTFEN	Easy to clean with the union nut's edge-free design. Maximum resistance to corrosion (CRC 4) and FDA-compliant. Suitable for a wide range of media.
	CRQS	PFAN/PTFEN	Maximum resistance to corrosion (CRC 4) and to aggressive acids and alkalis.
Resistant to chemicals and hydrolysis	NPQR	PFAN/PTFEN	Optimised design, fewer edges where dirt can collect – all at an attractive price. For high temperatures up to 150 °C. Pressure range up to 16 bar. Highest level of corrosion resistance (CRC 4).
Antistatic	NPQM	PUN-CM	Antistatic tubing plus solid metal fitting: maximum protection for electrical and electronic components.
Flame-retardant	NPQM	PUN-V0	Very safe in areas where there is a risk of fire with its flame-retardant properties. The tubing has been tested to DIN 5510-2.
Resistant to welding spatter	NPQH	PUN-V0-C	Ideal for applications involving welding spatter. Reliable with a tubing wall thickness of 2 mm for all diameters.
	QS-V0	PAN-V0	Safe even in the close vicinity of welding spatter with the double-walled tubing with special fitting.

## Key features

### Push-in fittings product range

QSM, mini series

Datasheets at Internet: qsm



Miniature push-in fittings for maximum component density in confined spaces. For pneumatic applications with a temperature range up to 80 °C and a pressure range up to 14 bar. Tubing O.D. of 2, 3, 4 and 6 mm with connecting threads M3, M5, M6, M7, R1/8 and G1/8.

QS, standard series

Datasheets at Internet: qs



Wide selection of push-in fittings for pneumatic applications with a temperature range up to 80 °C and a pressure range up to 14 bar. Tubing O.D. of 4, 6, 8, 10, 12, 16 and 22 mm with connecting threads R1/8 ... R1/2 and G1/8 ... G3/4.

CRQS, stainless steel

Datasheets at Internet: crqs



Stainless steel push-in fitting. High corrosion resistance (CRC4) and chemical resistance with approval for use in the food and packaging industry. For pneumatic applications with a temperature range up to 120 °C and a pressure range up to 10 bar. Tubing O.D. of 4, 6, 8, 10, 12 and 16 mm with connecting threads M5 and R1/8 ... R1/2.

QS-V0, resistant to welding spatter

Datasheets at Internet: qs-v0



Flame-retardant push-in fitting for use in all areas where there is a risk of fire, for example welding systems in the automotive industry, and in the construction industry. For pneumatic applications with a temperature range up to 60 °C and a pressure range up to 10 bar. Tubing O.D. of 4, 6, 8, 10 and 12 mm with connecting threads R1/8 ... R1/2 and G1/8 ... G1/2.

NPQH

Datasheets at Internet: npqh



All metal push-in fitting made of chemically nickel-plated brass. High corrosion resistance CRC 3 and chemical resistance. For pneumatic applications with a temperature range up to 150 °C and a pressure range up to 20 bar. Tubing O.D. of 4, 6, 8, 10, 12 and 14 mm with connecting threads M5, M7 and G1/8 ... G1/2.

NPQM

Datasheets at Internet: npqm



Attractively priced metal push-in fitting for pneumatic applications with a temperature range up to 70 °C and a pressure range up to 16 bar. Tubing O.D. of 3, 4, 6, 8, 10, 12 and 14 mm with connecting threads M5, M7 and G1/8 ... G1/2.

NPQP

Datasheets at Internet: npqp



Polypropylene fitting for use in applications with extreme media influences. For pneumatic applications with a temperature range up to 60 °C and a pressure range up to 10 bar. Tubing O.D. of 4, 6, 8, 10 and 12 mm with connecting threads R1/8 ... R1/2.

NPQR, stainless steel

Datasheets at Internet: npqr



Stainless steel push-in fitting. Maximum corrosion resistance CRC 4 and chemical resistance. For pneumatic applications with a temperature range up to 150 °C and a pressure range up to 16 bar. Tubing O.D. of 4, 6, 8, 10 and 12 mm with connecting threads M5, M7 and G1/8 ... G1/2.

## Key features

### Functional push-in fittings product range

QSK, push-in fitting, self-sealing

Datasheets at Internet: qsk



Push-in fitting that blocks the air flow after the tubing is disconnected. For pneumatic applications with a temperature range up to 60 °C and a pressure range up to 14 bar.  
Tubing O.D. of 4, 6, 8, 10 and 12 mm with connecting threads M5, R1/8 ... R1/2 and G1/8 ... G1/2.

QSR, push-in fitting, rotatable

Datasheets at Internet: qsr



Push-in fitting with swivel connection, rotatable by 360°. The ball bearing enables rotating movements in the application up to max. 500 rpm. For pneumatic applications with a temperature range up to 60 °C and a pressure range up to 14 bar.  
Tubing O.D. of 4, 6, 8, 10 and 12 mm with connecting threads M5, R1/8 ... R1/2 and G1/8 ... G1/2.

### Quick connectors product range

NPCK

Datasheets at Internet: npck



Stainless steel fitting for use in areas subject to intensive cleaning. Highest level of corrosion resistance (CRC 4). For pneumatic applications with a temperature range up to 120 °C and a pressure range up to 12 bar.  
Tubing O.D. of 4, 6, 8 and 10 mm with connecting threads M5 and G1/8 ... G3/8.

### Click fittings product range

NPKA

Datasheets at Internet: npka



Plastic fitting for easy installation with one hand. Hydrolysis-resistant, FDA-compliant and easy to clean. For pneumatic applications with a temperature range up to 60 °C and a pressure range up to 10 bar.  
Tubing O.D. of 6 mm with connecting thread G1/8.

## Technical data

General technical data	
Size	Standard
Design	Push-pull principle
Type of seal on screwed trunnion	Sealing ring
Nominal tightening torque [Nm]	1 ±20% for M5 male thread
	3 ±20% for M7 male thread
	6 ±20% with G1/8 male thread
	7.5 ±20% with G1/4 male thread
	9 ±20% with G3/8 male thread
	9 ±20% with G1/2 male thread

Operating and environmental conditions	
Operating pressure for entire temperature range [bar]	-0.95 ... +16
Operating medium	Compressed air to ISO 8573-1:2010 [7:-:-]
Note on the operating/pilot medium	Lubricated operation possible
Ambient temperature [°C]	-20 ... +70
Corrosion resistance class CRC <sup>1)</sup>	1

1) Corrosion resistance class CRC 1 to Festo standard FN 940070

Low corrosion stress. Dry indoor application or transport and storage protection. Also applies to parts behind coverings, in the non-visible interior area, or parts that are covered in the application (e.g. drive trunnions).

Materials	NPQM	NPQM-H	NPQM-LK/LH/LFK
Type			
Housing	Nickel-plated brass		
Nut	-	Nickel-plated brass	-
Hollow bolt	-	-	Nickel-plated brass
Tubing seal	NBR		
Note on materials	RoHS-compliant		

### Tube mounting/dismounting

#### Mounting

The prerequisite for ensuring that the inside seal is securely held and protected against damage is that the tube is cut into straight lengths and deburred.

- 1) Insert tubing as far as the stop.  
It is important to ensure that the tubing is inserted into the inner seal.  
Depending on the tolerance between the tubing and the seal, the contact of the tubing with the seal may be wrongly interpreted as the stop.
- 2) Check that the tubing connection is secure by pulling gently on the tube.


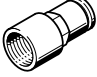

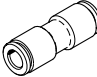
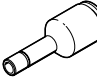
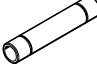
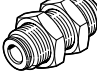
#### Dismounting

- 1) The tubing can be detached easily by pressing and holding down the releasing ring. Remove the tubing carefully from the fitting.
- 2) Before re-using the tubing, remove the damaged part by cutting it off.







#### Note

When using a push-in sleeve as a quick coupling plug, the only way to guarantee an optimal and secure connection is by using products from the same series. In other words, a push-in sleeve NPQM may only be used with a push-in connector NPQM. The groove of the push-in sleeve must engage securely in the counterpart.

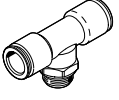
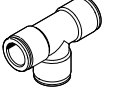
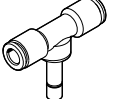
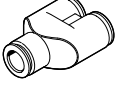
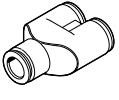
Product range overview

Design	Version	Type	Connection D1					Connection D2		→ Page
			M thread	R thread	G thread	Tubing O.D.	Push-in sleeve Ø	Tubing O.D.	Push-in sleeve Ø	
Straight shape	<b>Push-in fitting – Male thread with internal/external hexagon</b>									
		NPQM-D	-	-	G1/8	-	-	4, 6, 8	-	9
					G1/4			6, 8, 10, 12		
					G3/8			8, 10, 12, 14		
					G1/2			10, 12, 14		
	<b>Push-in fitting – female thread with external hex</b>									
		NPQM-D	-	-	G1/8	-	-	4, 6, 8	-	10
					G1/4			6, 8, 10		
	<b>Push-in fitting – Male thread with internal hex</b>									
		NPQM-DK	M5	-	-	-	-	4, 6	-	10
	M7						4, 6			
<b>Push-in connector</b>										
	NPQM-D	-	-	-	4	-	4	-	11	
						6		6		
						8		8		
						10		10		
						12		12		
						14		14		
<b>Push-in connector with push-in sleeve</b>										
	NPQM-D	-	-	-	4	-	-	6, 8	11	
						6		4, 8, 10, 12, 14		
						8		6, 10, 12, 14		
						10		12, 14		
						12		14		
<b>Push-in sleeve</b>										
	NPQM-D	-	-	-	-	4	-	4	12	
							6	6		
							8	8		
							10	10		
							12	12		
							14	14		
<b>Push-in bulkhead connector</b>										
	NPQM-H	-	-	-	4	-	-	-	12	
						6				
						8				
						10				
						12				

Product range overview

Design	Version	Type	Connection D1					Connection D2		→ Page	
			M thread	R thread	G thread	Tubing O.D.	Push-in sleeve Ø	Tubing O.D.	Push-in sleeve Ø		
L-shape	<b>Push-in L-fitting – male thread with external hex</b>										
		NPQM-L	M5	-	-	-	-	-	4, 6	-	13
			-		G1/8				4, 6, 8		
					G1/4				6, 8, 10, 12		
					G3/8				8, 10, 12, 14		
					G1/2				10, 12, 14		
	<b>Push-in L-fitting – male thread with internal hex</b>										
		NPQM-LK	M5	-	-	-	-	-	3, 4	-	14
			-		G1/8				4, 6, 8		
					G1/4				6, 8, 10		
					G3/8				10		
	<b>Push-in L-fitting – male thread with external hex</b>										
	NPQM-LH	M5	-	-	-	-	-	4, 6	-	15	
		-		G1/8				4, 6, 8			
				G1/4				6, 8			
				G3/8				8, 10, 12			
<b>2x multiple distributor - male thread with internal hex</b>											
	NPQM-LFK	-	-	G1/8	-	-	-	4, 6, 8	-	16	
				G1/4				6, 8			
<b>Push-in L-connector</b>											
	NPQM-L	-	-	-	4	-	-	4	-	17	
					6			6			
					8			8			
					10			10			
					12			12			
					14			14			
<b>Push-in L-connector with push-in sleeve</b>											
	NPQM-L	-	-	-	4	-	-	4	-	17	
					6			6			
					8			8			
					10			10			

Product range overview

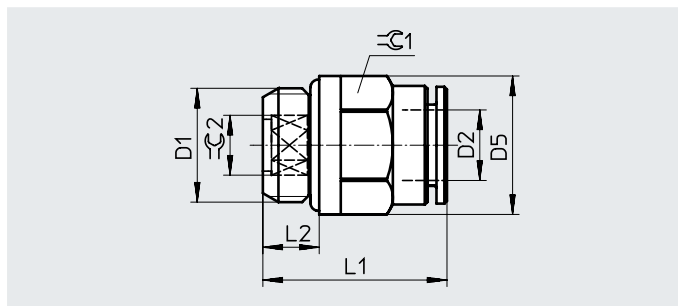
Design	Version	Type	Connection D1					Connection D2		→ Page		
			M thread	R thread	G thread	Tubing O.D.	Push-in sleeve Ø	Tubing O.D.	Push-in sleeve Ø			
T-shape	<b>Push-in T-fitting – male thread with external hex</b>											
		NPQM-T	-	-	G1/8	-	-	4, 6, 8	-	18		
					G1/4			6, 8, 10				
					G3/8			8, 10, 12				
					G1/2			12				
	<b>Push-in T-connector</b>											
		NPQM-T	-	-	-	-	-	4	-	4	19	
								6		6		
								8		8		
10								10				
12								12				
14	14											
	<b>Push-in T-connector with push-in sleeve</b>											
		NPQM-T	-	-	-	-	-	-	-	4	19	
										6		6
										8		8
10										10		
<b>Y-shape</b>												
<b>Push-in Y-connector</b>												
	NPQM-Y	-	-	-	-	-	-	-	4	20		
									6		6	
									8		8	
									10		10	
									12		12	
	NPQM-Y Reducing	-	-	-	-	-	-	-	4	20		
									6		6	
									8		8	
10												



## Datasheet

### Push-in fitting NPQM-D

Male thread with internal/external hexagon



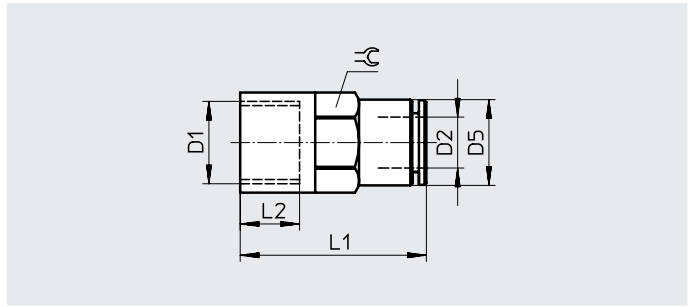
Dimensions and ordering data											
Connection	Nominal width [mm]	Tubing O.D.	D5 ∅	L1	L2	≙ 1	≙ 2	Weight/ piece [g]	Part no.	Type	PJ <sup>1)</sup>
D1		D2									
<b>G thread with sealing ring</b>											
G1/8	3.0	4	13.0	16.5	5.0	9	3	6.1	558661	NPQM-D-G18-Q4-P10	10
	4.0	6	13.5	19.5	5.0	12	4	9.0	558662	NPQM-D-G18-Q6-P10	10
	6.0	8	13.0	23.5	5.0	13	6	11.4	558663	NPQM-D-G18-Q8-P10	10
G1/4	4.0	6	16.0	19.5	6.5	12	4	12.7	558664	NPQM-D-G14-Q6-P10	10
	6.0	8	16.0	21.5	6.5	14	6	13.6	558665	NPQM-D-G14-Q8-P10	10
	8.0	10	16.0	27.5	6.5	15	8	17.4	558666	NPQM-D-G14-Q10-P10	10
G3/8	8.0	12	16.0	28.5	6.5	19	8	26.2	558667	NPQM-D-G14-Q12-P10	10
	6.0	8	20.0	21.0	7.0	14	6	20.1	558668	NPQM-D-G38-Q8-P10	10
	8.0	10	20.0	25.0	7.0	16	8	22.6	558669	NPQM-D-G38-Q10-P10	10
G1/2	10.0	12	20.0	28.5	7.0	19	10	28.9	558670	NPQM-D-G38-Q12-P10	10
	10.0	14	20.0	32.0	7.0	22	10	37.5	570450	NPQM-D-G38-Q14-P10	1
	8.0	10	25.0	25.5	8.5	16	8	34.5	558671	NPQM-D-G12-Q10-P10	10
G1/2	10.0	12	25.0	26.5	8.5	19	10	36.1	558672	NPQM-D-G12-Q12-P10	10
	12.0	14	25.0	32.0	8.5	22	12	42.4	570451	NPQM-D-G12-Q14-P10	1

1) Packaging unit

## Datasheet

### Push-in fitting NPQM-D

Female thread with external hex



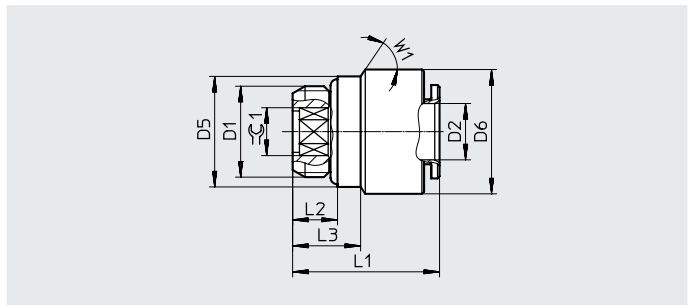
#### Dimensions and ordering data

Connection	Nominal width [mm]	Tubing O.D.	D5 ∅	L1	L2	⌀	Weight/ piece [g]	Part no.	Type	PU <sup>1)</sup>
D1		D2								
<b>G thread</b>										
G1/8	3.0	4	9.0	23.5	7.5	9	10.0	558674	NPQM-D-G18F-Q4-P10	10
	5.0	6	12.0	26.0	7.5	12	15.1	558675	NPQM-D-G18F-Q6-P10	10
	7.0	8	14.0	26.0	7.5	14	17.5	558676	NPQM-D-G18F-Q8-P10	10
G1/4	5.0	6	12.0	30.0	11.0	12	18.5	558678	NPQM-D-G14F-Q6-P10	10
	7.0	8	14.0	30.0	11.0	14	20.2	558679	NPQM-D-G14F-Q8-P10	10
	9.0	10	16.0	32.0	11.0	16	24.4	558680	NPQM-D-G14F-Q10-P10	10

1) Packaging unit

### Push-in fitting NPQM-DK

Male thread with internal hex



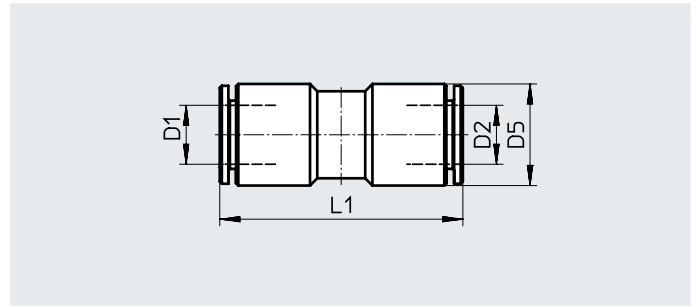
#### Dimensions and ordering data

Connection	Nominal width [mm]	Tubing O.D.	D5 ∅	D6 ∅	L1	L2	⌀	Weight/ piece [g]	Part no.	Type	PU <sup>1)</sup>
D1		D2									
<b>Metric thread with sealing ring</b>											
M5	2.5	4	8.0	9.0	19.0	4.0	2.5	4.6	558657	NPQM-DK-M5-Q4-P10	10
	2.5	6	8.0	12.0	22.0	4.0	2.5	8.6	558658	NPQM-DK-M5-Q6-P10	10
M7	3.0	4	9.0	9.0	20.0	5.0	3.0	–	558659	NPQM-DK-M7-Q4-P10	10
	3.0	6	9.0	12.0	23.0	5.0	3.0	–	558660	NPQM-DK-M7-Q6-P10	10

1) Packaging unit

## Datasheet

### Push-in connector NPQM-D

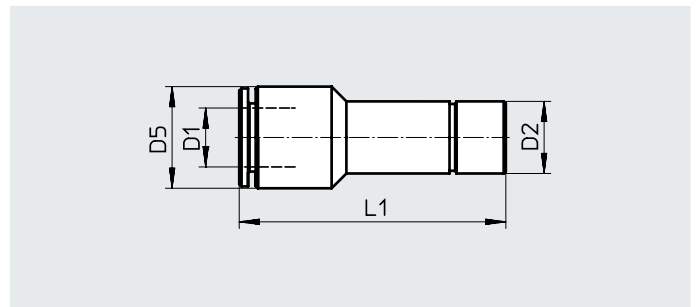


Dimensions and ordering data								
Tubing O.D.	Nominal width [mm]	Tubing O.D.	D5 $\varnothing$	L1	Weight/ piece [g]	Part no.	Type	PU <sup>1)</sup>
D1		D2						
4	3.0	4	9.0	28.0	6.8	558760	NPQM-D-Q4-E-P10	10
6	5.0	6	12.0	33.5	15.0	558761	NPQM-D-Q6-E-P10	10
8	7.0	8	14.0	34.0	18.0	558762	NPQM-D-Q8-E-P10	10
10	9.0	10	16.0	38.5	22.5	558763	NPQM-D-Q10-E-P10	10
12	11.0	12	19.0	41.0	36.6	558764	NPQM-D-Q12-E-P10	10
14	13.0	14	22.0	47.0	47.4	570452	NPQM-D-Q14-E-P10	1

1) Packaging unit

### Push-in connector NPQM-D

with push-in sleeve

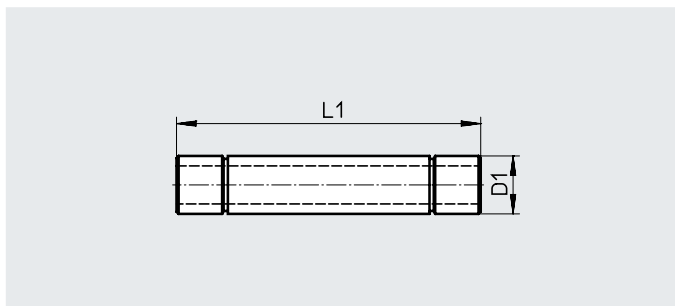


Dimensions and ordering data								
Tubing O.D.	Nominal width [mm]	Push-in sleeve $\varnothing$	D5 $\varnothing$	L1	Weight/ piece [g]	Part no.	Type	PU <sup>1)</sup>
D1		D2						
4	3.0	6	9.0	33.5	7.0	558765	NPQM-D-Q4-S6-P10	10
	3.5	8	9.0	33.5	10.0	558766	NPQM-D-Q4-S8-P10	10
6	2.5	4	12.0	35.5	10.0	558767	NPQM-D-Q6-S4-P10	10
	5.0	8	12.0	35.0	11.5	558768	NPQM-D-Q6-S8-P10	10
	5.5	10	12.0	36.5	15.5	558769	NPQM-D-Q6-S10-P10	10
	5.5	12	12.0	35.5	22.2	558770	NPQM-D-Q6-S12-P10	10
	5.0	14	14.0	37.5	25.0	570457	NPQM-D-Q6-S14-P10	1
8	4.0	6	14.0	39.5	13.5	558771	NPQM-D-Q8-S6-P10	10
	7.0	10	14.0	37.0	15.0	558772	NPQM-D-Q8-S10-P10	10
	7.0	12	14.0	39.0	23.0	558773	NPQM-D-Q8-S12-P10	10
	7.0	14	14.0	38.5	31.5	570458	NPQM-D-Q8-S14-P10	1
10	9.0	12	16.0	42.0	20.0	558774	NPQM-D-Q10-S12-P10	10
	9.0	14	16.0	42.0	29.5	570456	NPQM-D-Q10-S14-P10	1
12	11.0	14	19	43.0	24	570459	NPQM-D-Q12-S14-P10	1

1) Packaging unit

Datasheet

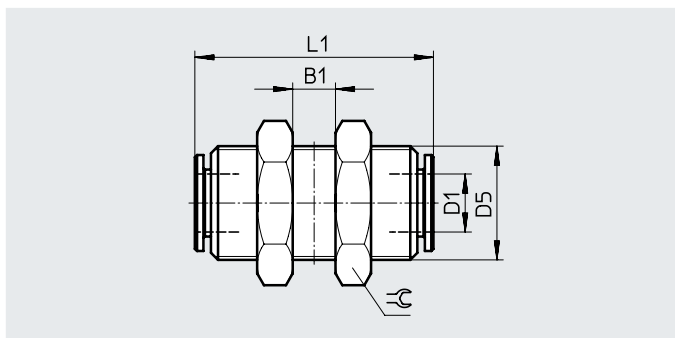
Push-in sleeve NPQM-D



Dimensions and ordering data						
Push-in sleeve Ø D1	Nominal width [mm]	L1	Weight/ piece [g]	Part no.	Type	PU <sup>1)</sup>
4	2.0	35.0	2.8	558811	NPQM-D-S4-E-P10	10
6	4.0	40.0	5.5	558812	NPQM-D-S6-E-P10	10
8	6.0	42.0	7.5	558813	NPQM-D-S8-E-P10	10
10	8.0	50.0	11.0	558814	NPQM-D-S10-E-P10	10
12	10.0	53.0	14.0	558815	NPQM-D-S12-E-P10	10
14	12.0	54.0	18.5	570455	NPQM-D-S14-E-P10	1

1) Packaging unit

Push-in bulkhead connector NPQM-H



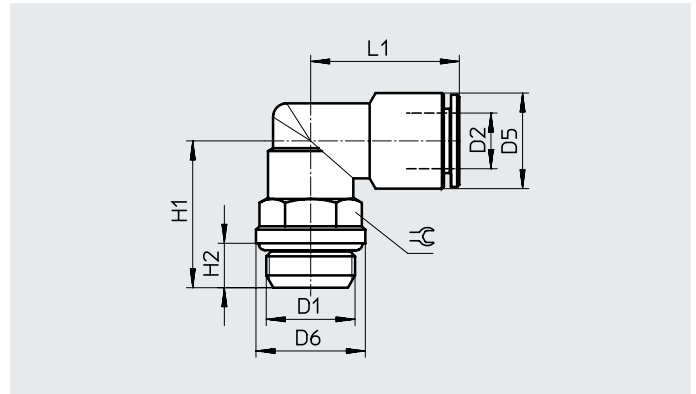
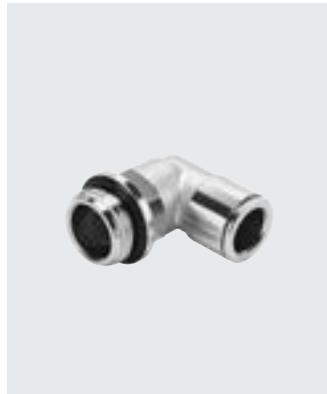
Dimensions and ordering data									
Tubing O.D. D1	Nominal width [mm]	D5	B1	L1	⌀	Weight/ piece [g]	Part no.	Type	PU <sup>1)</sup>
4	3.0	M12x1	11.0	28.0	16	23.5	558806	NPQM-H-Q4-E-P10	10
6	5.0	M14x1	16.0	34.0	18	33.0	558807	NPQM-H-Q6-E-P10	10
8	7.0	M16x1	17.0	34.0	20	39.5	558808	NPQM-H-Q8-E-P10	10
10	9.0	M18x1	19.0	39.0	22	51.5	558809	NPQM-H-Q10-E-P10	10
12	11.0	M20x1	20.0	41.0	24	60.0	558810	NPQM-H-Q12-E-P10	10

1) Packaging unit

# Datasheet

## Push-in L-fitting NPQM-L

Male thread with external hex

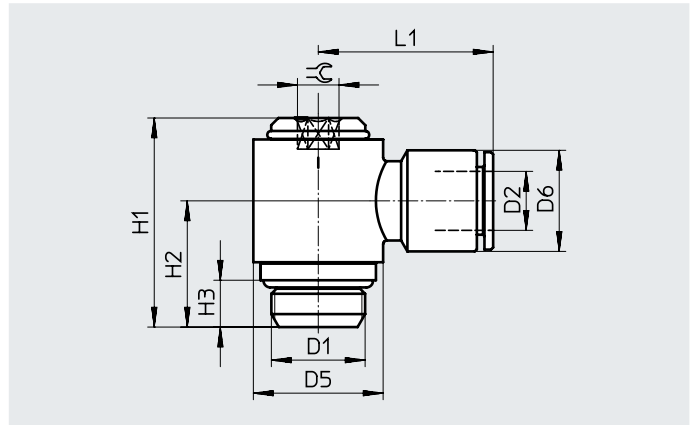


Dimensions and ordering data												
Connection	Nominal width	Tubing O.D.	D5	D6	H1	H2	L1	⊖	Weight/ piece	Part no.	Type	PU <sup>1)</sup>
D1	[mm]	D2	∅	∅					[g]			
<b>Metric thread with sealing ring</b>												
M5	3.0	4	9.0	8.0	14.0	4.0	17.5	9	8.8	558704	NPQM-L-M5-Q4-P10	10
	3.5	6	12.0	8.0	14.0	4.0	20.5	9	11.9	558705	NPQM-L-M5-Q6-P10	10
<b>G thread with sealing ring</b>												
G1/8	3.0	4	9.0	13.0	18.0	5.0	19.5	13	15.7	558708	NPQM-L-G18-Q4-P10	10
	5.0	6	12.0	13.0	18.0	5.0	22.0	13	18.5	558709	NPQM-L-G18-Q6-P10	10
	5.5	8	14.0	13.0	18.0	5.0	22.5	13	22.0	558710	NPQM-L-G18-Q8-P10	10
G1/4	5.0	6	12.0	16.0	21.5	6.5	22.0	13	21.8	558711	NPQM-L-G14-Q6-P10	10
	5.5	8	14.0	16.0	21.5	6.5	22.5	13	25.3	558712	NPQM-L-G14-Q8-P10	10
	8.5	10	16.0	16.0	22.0	6.5	26.0	16	34.0	558713	NPQM-L-G14-Q10-P10	10
	11.0	12	19.0	16.0	25.5	6.5	28.5	20	58.5	558714	NPQM-L-G14-Q12-P10	10
G3/8	6.0	8	14.0	20.0	25.5	7.0	23.0	16	37.7	558715	NPQM-L-G38-Q8-P10	10
	8.5	10	16.0	20.0	25.5	7.0	26.0	16	39.2	558716	NPQM-L-G38-Q10-P10	10
	11.0	12	19.0	20.0	26.0	7.0	28.5	20	56.1	558717	NPQM-L-G38-Q12-P10	10
	12.0	14	22.0	20.0	26.0	7.0	31.0	20	61.6	570460	NPQM-L-G38-Q14-P10	1
G1/2	8.5	10	16.0	25.0	27.5	8.5	26.0	16	43.2	558718	NPQM-L-G12-Q10-P10	10
	11.0	12	19.0	25.0	30.5	8.5	28.5	20	65.1	558719	NPQM-L-G12-Q12-P10	10
	12.0	14	22.0	25.0	30.5	8.5	31.0	20	69.9	570461	NPQM-L-G12-Q14-P10	1

1) Packaging unit

## Datasheet

### Push-in L-fitting NPQM-LK Male thread with internal hex



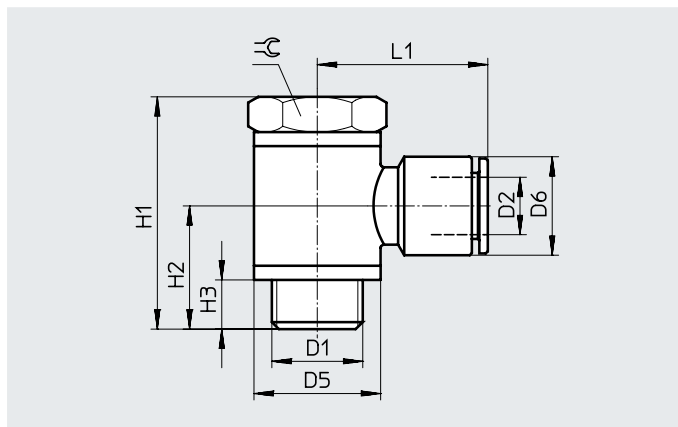
#### Dimensions and ordering data

Connection	Nominal width [mm]	Tubing O.D.	D5 ∅	D6 ∅	H1	H2	H3	L1	±e	Weight/ piece [g]	Part no.	Type	PU <sup>1)</sup>
D1	D2												
<b>Metric thread with sealing ring</b>													
M5	2.5	3	7.0	6.8	15.0	9.5	4.0	14.1	2	8.1	558816	NPQM-LK-M5-Q3-P10	10
	2.5	4	10.0	9.0	19.0	11.0	4.0	18.5	3	10.1	558817	NPQM-LK-M5-Q4-P10	10
<b>G thread with sealing ring</b>													
G1/8	3.0	4	14.0	9.0	25.5	15.0	5.0	20.5	4	22.2	558818	NPQM-LK-G18-Q4-P10	10
	5.0	6	14.0	12.0	25.5	15.0	5.0	22.5	4	24.4	558819	NPQM-LK-G18-Q6-P10	10
	6.0	8	14.0	14.0	25.5	15.0	5.0	23.5	4	25.7	558820	NPQM-LK-G18-Q8-P10	10
G1/4	5.0	6	18.0	12.0	29.0	17.5	6.5	24.0	5	39.3	558821	NPQM-LK-G14-Q6-P10	10
	6.5	8	18.0	14.0	29.0	17.5	6.5	24.5	5	39.1	558822	NPQM-LK-G14-Q8-P10	10
	8.5	10	18.0	16.0	29.0	17.5	6.5	27.0	5	43.6	558823	NPQM-LK-G14-Q10-P10	10
G3/8	8.5	10	22.0	16.0	32.5	19.5	7.0	29.0	6	62.2	558825	NPQM-LK-G38-Q10-P10	10

1) Packaging unit

# Datasheet

**Push-in L-fitting NPQM-LH**  
Male thread with external hex

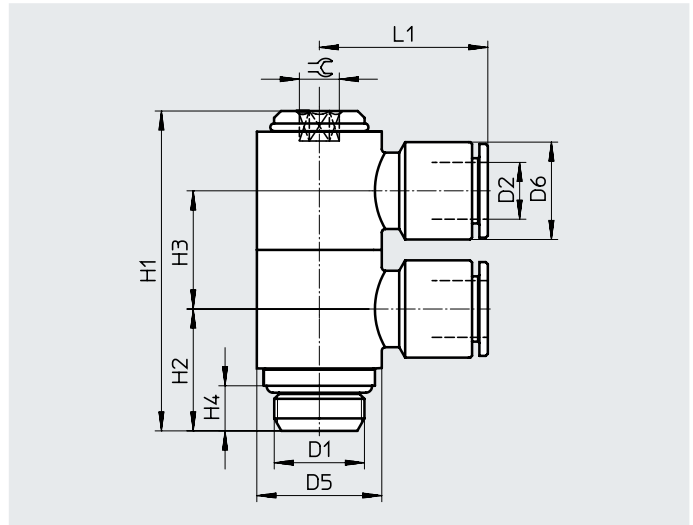


Dimensions and ordering data													
Connection	Nominal width [mm]	Tubing O.D. D2	D5 ø	D6 ø	H1	H2	H3	L1	⌀	Weight/ piece [g]	Part no.	Type	PU <sup>1)</sup>
<b>Metric thread with sealing ring</b>													
M5	3.0	4	10.0	9.0	18.5	10.0	4.0	18.5	8	-	558827	NPQM-LH-M5-Q4-P10	10
	3.5	6	10.0	12.0	18.5	10.0	4.0	21.5	8	-	558828	NPQM-LH-M5-Q6-P10	10
<b>G thread with sealing ring</b>													
G1/8	3.0	4	14.0	9.0	27.0	14.0	5.0	20.5	14	-	558829	NPQM-LH-G18-Q4-P10	10
	5.0	6	14.0	12.0	27.0	14.0	5.0	22.5	14	-	558830	NPQM-LH-G18-Q6-P10	10
	6.5	8	14.0	14.0	27.0	14.0	5.0	23.5	14	-	558831	NPQM-LH-G18-Q8-P10	10
G1/4	5.0	6	18.0	12.0	31.5	16.5	6.5	24.0	17	-	558832	NPQM-LH-G14-Q6-P10	10
	6.5	8	18.0	14.0	31.5	16.5	6.5	24.5	17	-	558833	NPQM-LH-G14-Q8-P10	10
G3/8	7.0	8	22.0	14.0	36.0	18.5	7.0	26.5	20	-	558834	NPQM-LH-G38-Q8-P10	10
	8.5	10	22.0	16.0	36.0	18.5	7.0	29.0	20	-	558835	NPQM-LH-G38-Q10-P10	10
	10.5	12	22.0	19.0	36.0	18.5	7.0	29.5	20	-	558836	NPQM-LH-G38-Q12-P10	10

1) Packaging unit

## Datasheet

**Multiple distributor NPQM-LFK**  
Male thread with internal hex



### Dimensions and ordering data

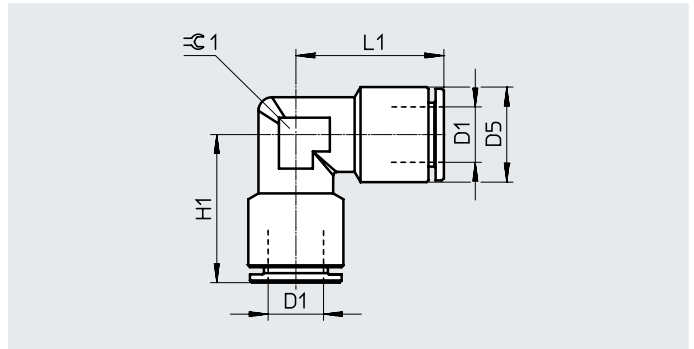
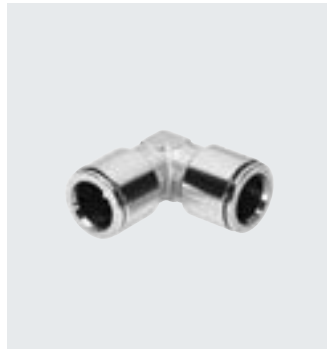
Connection	Nominal width [mm]	Tubing O.D.	D5 ∅	D6 ∅	H1	H2	H3	H4	L1	⌀	Weight/ piece [g]	Part no.	Type	PU <sup>1)</sup>
D1		D2												
G1/8	4.0	4	14.0	9.0	40.5	15.0	15.0	5.0	20.5	4	40.0	558837	NPQM-LFK-G18-Q4-P10	10
	4.0	6	14.0	12.0	40.5	15.0	15.0	5.0	22.5	4	46.0	558838	NPQM-LFK-G18-Q6-P10	10
	4.0	8	14.0	14.0	40.5	15.0	15.0	5.0	23.5	4	50.0	558839	NPQM-LFK-G18-Q8-P10	10
G1/4	5.5	6	18.0	12.0	46.0	17.5	17.0	6.5	24.0	5	69.5	558840	NPQM-LFK-G14-Q6-P10	10
	5.5	8	18.0	14.0	46.0	17.5	17.0	6.5	24.5	5	69.5	558841	NPQM-LFK-G14-Q8-P10	10

1) Packaging unit



# Datasheet

## Push-in L-connector NPQM-L



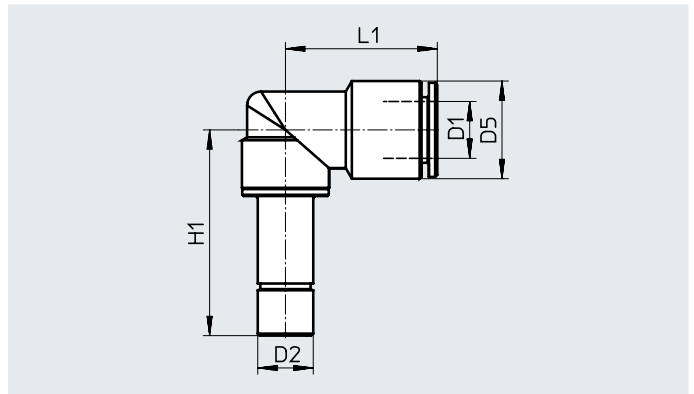
### Dimensions and ordering data

Tubing O.D. D1	Nominal width [mm]	D5 ∅	H1	L1	≡ 1	Weight/piece [g]	Part no.	Type	PU <sup>1)</sup>
4	3.0	9.0	17.5	17.5	8	9.0	558776	NPQM-L-Q4-E-P10	10
6	5.0	12.0	20.5	20.5	10	16.5	558777	NPQM-L-Q6-E-P10	10
8	7.0	14.0	22.5	22.5	12	22.0	558778	NPQM-L-Q8-E-P10	10
10	9.0	16.0	25.0	25.0	14	29.5	558779	NPQM-L-Q10-E-P10	10
12	11.0	19.0	26.5	26.5	18	48.5	558780	NPQM-L-Q12-E-P10	10
14	12.0	22.0	31.5	31.5	18	58.0	570453	NPQM-L-Q14-E-P10	1

1) Packaging unit

## Push-in L-connector NPQM-L

with push-in sleeve



### Dimensions and ordering data

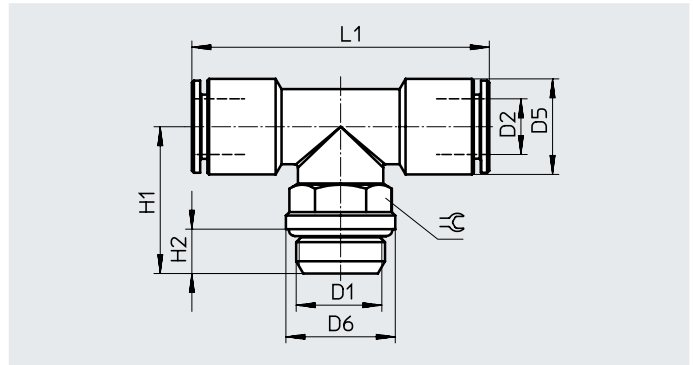
Tubing O.D. D1	Nominal width [mm]	Push-in sleeve ∅ D2	D5 ∅	H1	L1	Weight/piece [g]	Part no.	Type	PU <sup>1)</sup>
4	3.0	4	9.0	25.5	19.5	14.0	558781	NPQM-L-Q4-S4-P10	10
6	5.0	6	12.0	29.5	22.0	17.0	558782	NPQM-L-Q6-S6-P10	10
8	5.5	8	14.0	29.5	22.5	20.5	558783	NPQM-L-Q8-S8-P10	10
10	8.5	10	16.0	33.5	26.0	30.0	558784	NPQM-L-Q10-S10-P10	10

1) Packaging unit

## Datasheet

### Push-in T-fitting NPQM-T

Male thread with external hex



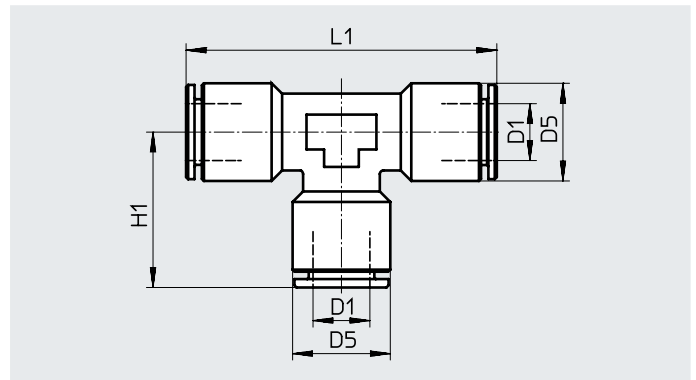
#### Dimensions and ordering data

Connection	Nominal width [mm]	Tubing O.D.	D5 ∅	D6 ∅	H1	H2	L1	±G	Weight/piece [g]	Part no.	Type	PU <sup>1)</sup>
D1		D2										
<b>G thread with sealing ring</b>												
G1/8	3.0	4	9.0	13.0	18.0	5.0	39.0	13.0	20.2	558736	NPQM-T-G18-Q4-P10	10
	5.0	6	12.0	13.0	18.0	5.0	44.0	13.0	25.2	558737	NPQM-T-G18-Q6-P10	10
	5.5	8	14.0	13.0	18.0	5.0	45.0	13.0	30.7	558738	NPQM-T-G18-Q8-P10	10
G1/4	5.0	6	12.0	16.0	21.5	6.5	44.0	13.0	29.1	558739	NPQM-T-G14-Q6-P10	10
	5.5	8	14.0	16.0	21.5	6.5	45.0	13.0	33.6	558740	NPQM-T-G14-Q8-P10	10
	8.5	10	16.0	16.0	22.0	6.5	52.0	16.0	44.4	558741	NPQM-T-G14-Q10-P10	10
G3/8	6.0	8	14.0	20.0	25.5	7.0	46.0	16.0	46.4	558743	NPQM-T-G38-Q8-P10	10
	8.5	10	16.0	20.0	25.5	7.0	52.0	16.0	49.7	558744	NPQM-T-G38-Q10-P10	10
	11.0	12	19.0	20.0	26.0	7.0	57.0	20.0	75.3	558745	NPQM-T-G38-Q12-P10	10
G1/2	11.0	12	19.0	25.0	30.5	8.5	57.0	20.0	82.0	558747	NPQM-T-G12-Q12-P10	10

1) Packaging unit

# Datasheet

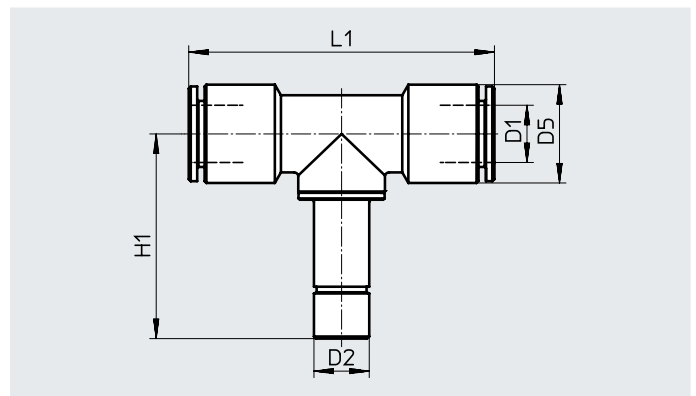
## Push-in T-connector NPQM-T



Dimensions and ordering data									
Tubing O.D. D1	Nominal width [mm]	D5 ø	H1	L1	Weight/piece [g]	Part no.	Type	PU <sup>1)</sup>	
4	3.0	9.0	17.5	35.0	12.5	558786	NPQM-T-Q4-E-P10	10	
6	5.0	12.0	20.0	40.0	22.5	558787	NPQM-T-Q6-E-P10	10	
8	7.0	14.0	21.0	42.0	28.4	558788	NPQM-T-Q8-E-P10	10	
10	9.0	16.0	24.5	49.0	39.2	558789	NPQM-T-Q10-E-P10	10	
12	11.0	19.0	26.0	52.0	61.3	558790	NPQM-T-Q12-E-P10	10	
14	12.0	22.0	30.5	61.0	77.1	570454	NPQM-T-Q14-E-P10	1	

1) Packaging unit

## Push-in T-connector NPQM-T with push-in sleeve

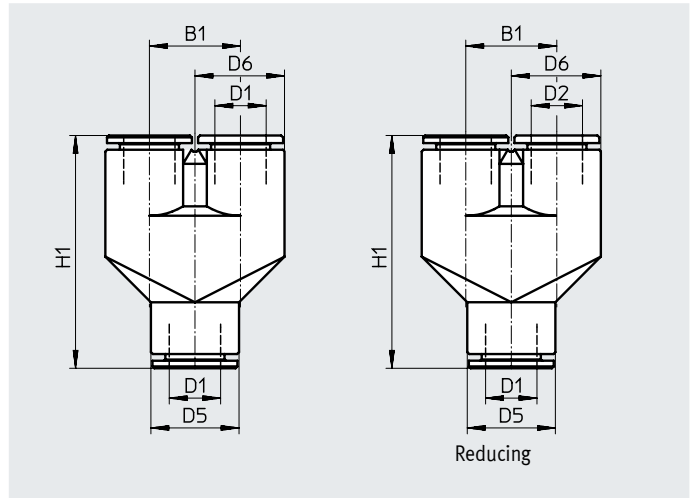


Dimensions and ordering data									
Tubing O.D. D1	Nominal width [mm]	Push-in sleeve ø D2	D5 ø	H1	L1	Weight/piece [g]	Part no.	Type	PU <sup>1)</sup>
4	3.0	4	9.0	25.5	39.0	18.5	558791	NPQM-T-Q4-S4-P10	10
6	5.0	6	12.0	29.5	44.0	24.5	558792	NPQM-T-Q6-S6-P10	10
8	5.5	8	14.0	29.5	45.0	29.0	558793	NPQM-T-Q8-S8-P10	10
10	8.5	10	16.0	33.5	52.0	41.0	558794	NPQM-T-Q10-S10-P10	10

1) Packaging unit

## Datasheet

### Push-in Y-connector NPQM-Y



#### Dimensions and ordering data

Tubing O.D. D1	Nominal width [mm]	Tubing O.D. D2	D5 ∅	D6 ∅	B1	H1	Weight/piece [g]	Part no.	Type	PU <sup>1)</sup>
4	3.5	–	9.0	9.25	9.5	29.5	13.5	558798	NPQM-Y-Q4-E-P10	10
6	5.5	–	12.0	12.25	12.5	36.0	32.0	558799	NPQM-Y-Q6-E-P10	10
8	7.5	–	14.0	14.25	14.5	37.5	42.5	558800	NPQM-Y-Q8-E-P10	10
10	9.5	–	16.0	16.25	16.5	44.5	–	558801	NPQM-Y-Q10-E-P10	10
12	11.5	–	19.0	19.25	19.5	49.0	–	558802	NPQM-Y-Q12-E-P10	10
<b>Reducing</b>										
6	3.5	4	12.0	12.25	12.5	36.0	–	558803	NPQM-Y-Q6-Q4-P10	10
8	5.5	6	14.0	14.25	14.5	38.5	–	558804	NPQM-Y-Q8-Q6-P10	10
10	7.5	8	16.0	16.25	16.5	44.0	–	558805	NPQM-Y-Q10-Q8-P10	10

1) Packaging unit