

PLEASE CHECK WWW.MOLEX.COM FOR LATEST PART INFORMATION

Part Number: [0734152121](#)
Status: **Active**
Overview: [MMCX RF Connectors](#)
Description: 50 Ohms, MMCX Vertical Plug, PCB, Plating Per Commercial Requirements, Bulk

Documents:

[3D Model](#) [Drawing \(PDF\)](#)
[3D Model \(PDF\)](#) [RoHS Certificate of Compliance \(PDF\)](#)

General

| | |
|-----------------|------------------------------------|
| Product Family | RF/Coax Connectors |
| Series | 73415 |
| Overview | MMCX RF Connectors |
| Product Name | MMCX |
| Style | PCB |
| Type | Microminiature |
| UPC | 822350561457 |
| Wire/Cable Type | N/A |

Physical

| | |
|-----------------------------|--------------|
| Gender | Plug |
| Keying to Mating Part | None |
| Net Weight | 0.254/g |
| Orientation | Straight |
| PCB Mounting | Through Hole |
| PCB Thickness - Recommended | 2.40mm |
| Packaging Type | Bag |
| Panel Mount | No |
| Panel Mount Method | N/A |
| Reverse Polar | No |

Electrical

| | |
|-----------------|-----------------------------|
| Frequency | 6 GHz |
| Impedance | 50Ω |
| Power / Voltage | VOLTAGE: 170 Vrms@Sea Level |

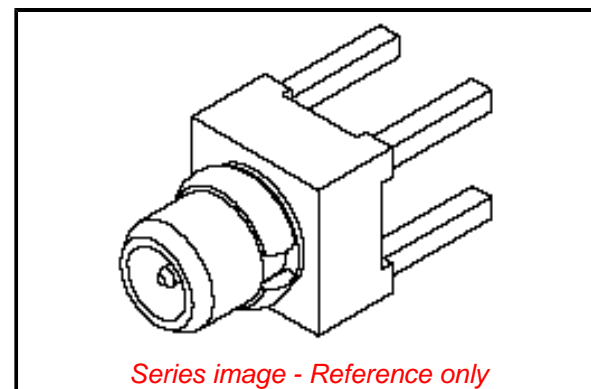
Solder Process Data

| | |
|--|----------|
| Duration at Max. Process Temperature (seconds) | 005 |
| Lead-freeProcess Capability | SMC&WAVE |
| Max. Cycles at Max. Process Temperature | 002 |
| Process Temperature max. C | 260 |

Material Info

Reference - Drawing Numbers

| | |
|---------------|--------------|
| Sales Drawing | SD-73415-212 |
|---------------|--------------|



EU ELV

Not Relevant

EU RoHS

Compliant with Exemption 6(c)

REACH SVHC

Contained Per - ECHA_01_2020 (16 January 2020)

Lead

Halogen-Free

Status

Low-Halogen

For more information, please visit [Contact US](#)

China ROHS

50 Image

ELV

Not Relevant

RoHS Phthalates

Not Contained

Search Parts in this Series

[73415 Series](#)

Mouser Electronics

Authorized Distributor

Click to View Pricing, Inventory, Delivery & Lifecycle Information:

[Molex:](#)

[73415-2121](#)