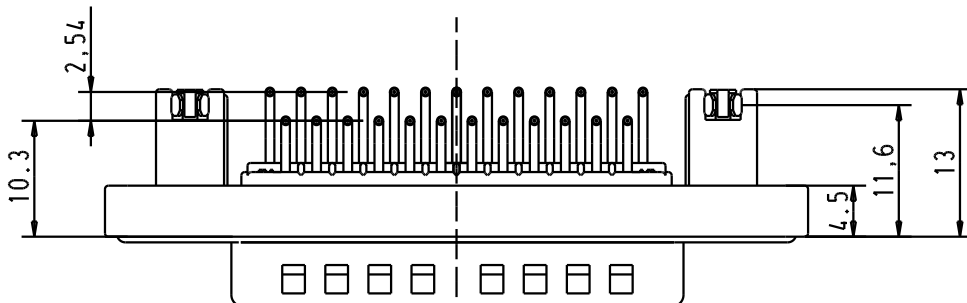
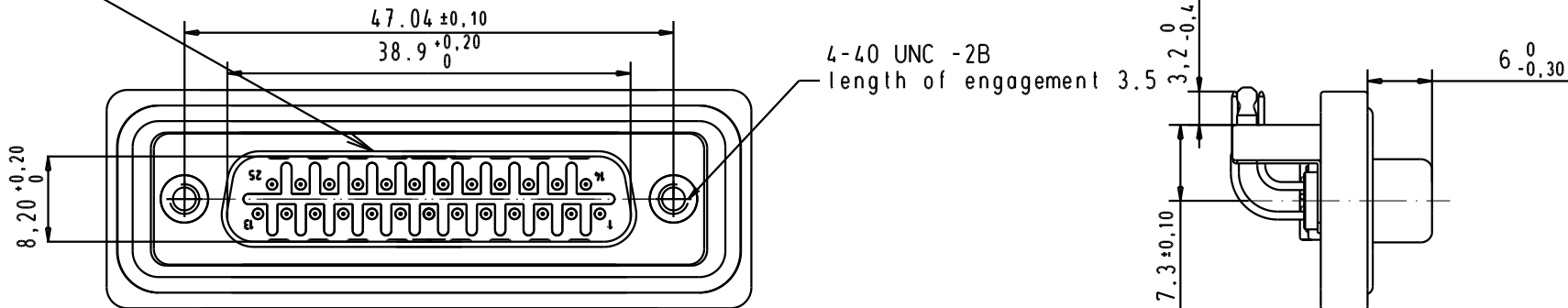
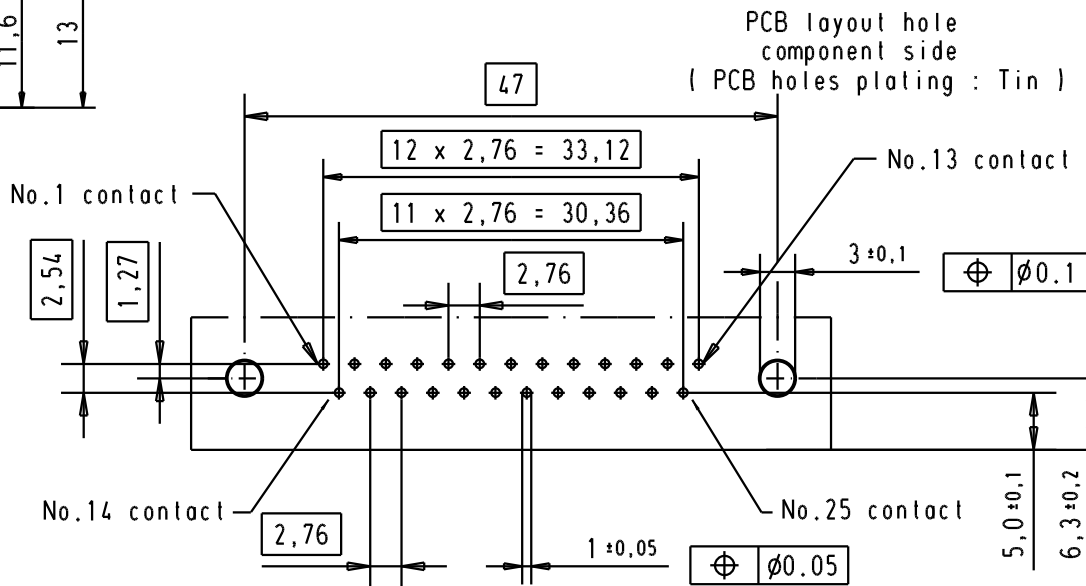
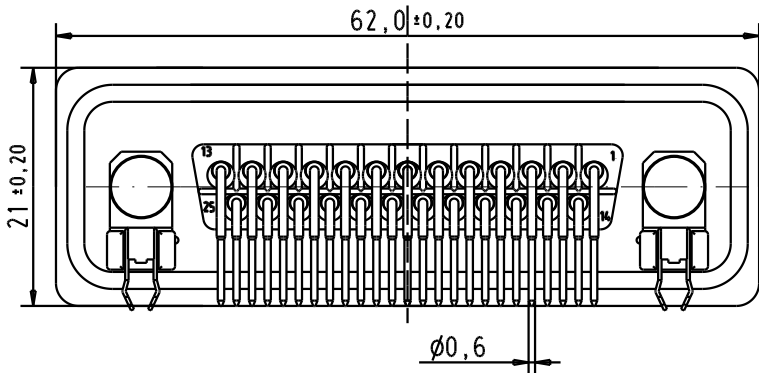


5 4 3 2 1

Mating face according to : MIL-C-24308 / DIN 41652 / CECC 75.01-802



1) Protection standard IP 67 according to IEC 529 / DIN 40050.



09 67 525 7658	Au plating 0,76 μm mini
Part Number	Performance Level

				Dat.	Name	 All Dim. in mm Orig. Size DIN A 4	
				Detail.	20/01/04		S.H.
				Insp.			
				Stand.			
31587	20/01/04	S.H	HARTING ELEKTRONIK F-95972 Paris				
Mod.	Dat.	Name					

D-SUB IP67 male 25 Poles angled solder pin with bracket and clip for 1.6mm PCB 4-40 UNC nut	Maßstab/ Scale
TB 09 67 525 7658	Blatt/ Page
Sub.	/

Mouser Electronics

Authorized Distributor

Click to View Pricing, Inventory, Delivery & Lifecycle Information:

[HARTING:](#)

[09675257658](#)