

REVISIONS					
P	LTR	DESCRIPTION	DATE	DWN	APVD
P1		REVISED PER ECN-22-150900	22APR2022	RK	CSD

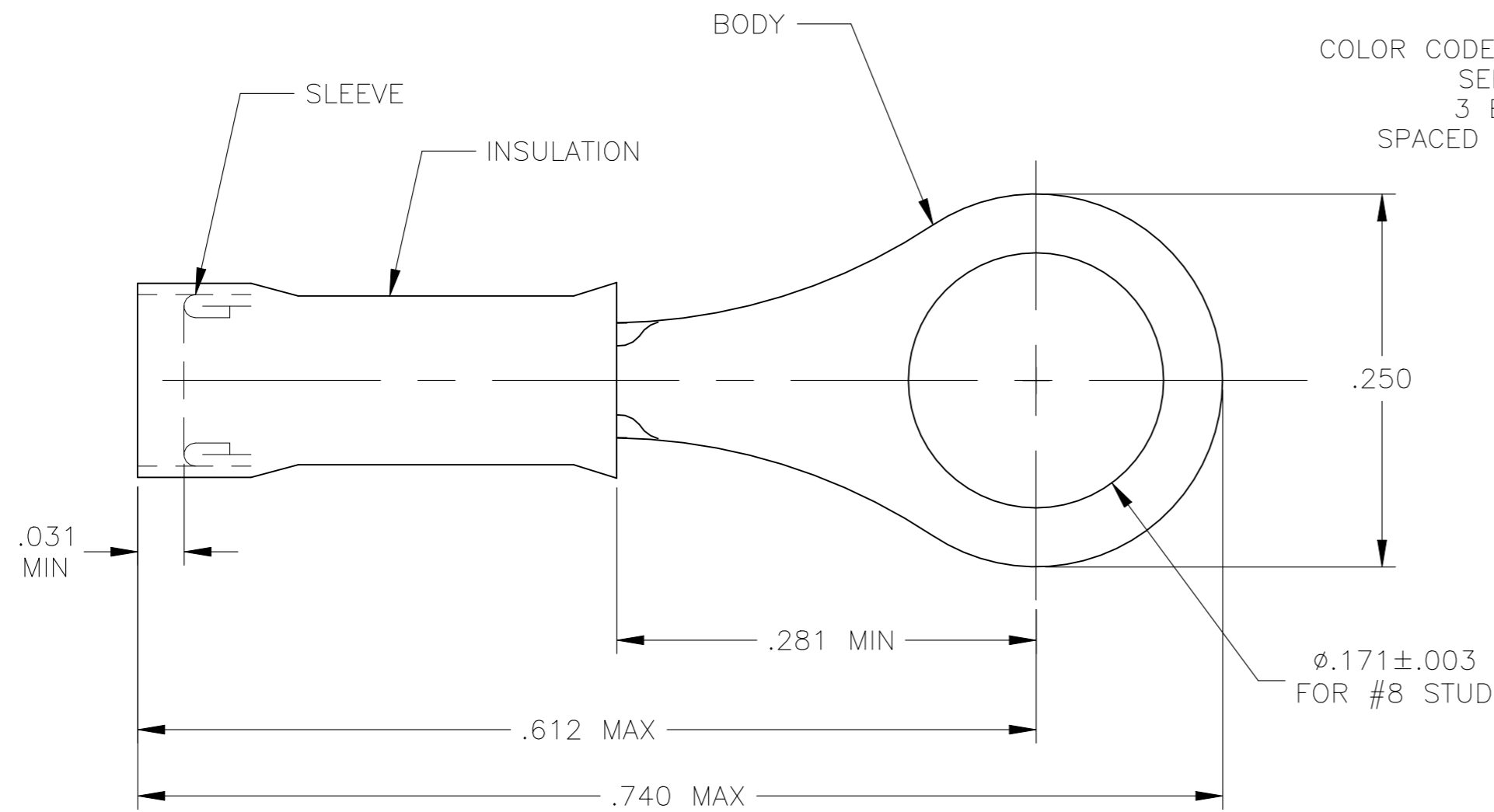


FIGURE 1

FOR .050 TO .082 WIRE INSULATION DIA

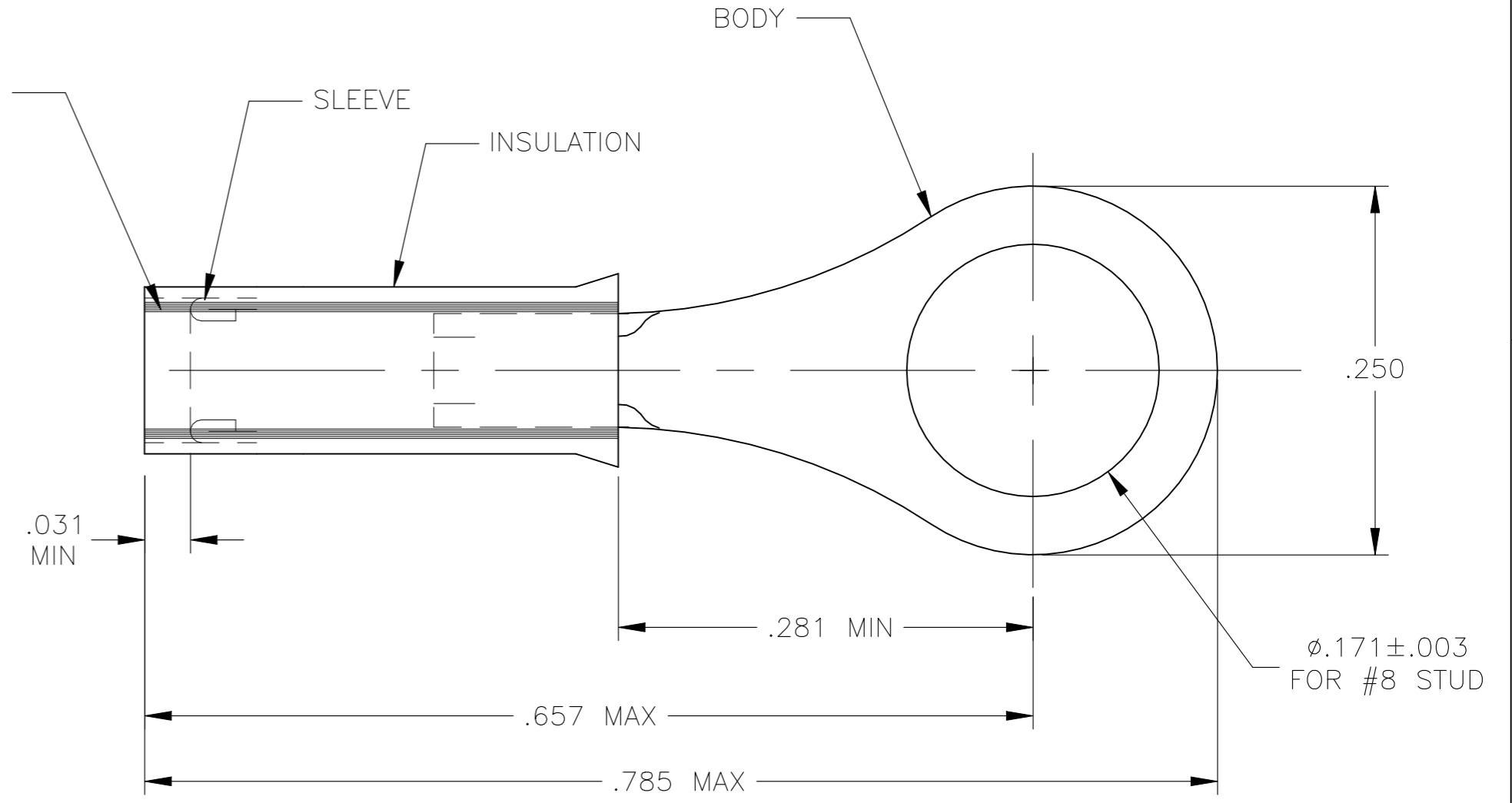


FIGURE 2  
INSULATION RESTRICTING

FOR X/Y WIRE INSULATION DIA

- 1 TONGUE MATERIAL THK IS .018±.002.
- 2 NOTE DELETED

QTY	DESCRIPTION	MATERIAL & FINISH	PART NO
1	WIRE TERMINAL INSULATION RESTRICTING	BODY: COPPER (ASTM-B152) TIN PL (ASTM-B545) SLEEVE: COPPER (ASTM-B152) NICKEL PL. (QQ-N-290) INSULATION: NYLON COLOR: YELLOW (ASTM-D4066) TYPE 1	2-323916-3
100	LOOSE PC, BOX	BODY & SLEEVE: COPPER (ASTM-B152) TIN PL (ASTM-B545) INSULATION: NYLON COLOR: YELLOW (ASTM-D4066) TYPE 1	8-323916-1
4000	323916 ON TAPE		2-323916-1
1	WIRE TERMINAL		323916

PART NO.	STYLE	WIRE SIZE	STRIPE COLOR	"X/Y"	PART NO. ON TAPE
8-323916-1	FIGURE 1	#26-#22	NONE	-	-
2-323916-3	FIGURE 2	#24	BLUE	.031/.055	-
323916	FIGURE 1	#26-#22	NONE	-	2-323916-1

THIS DRAWING IS A CONTROLLED DOCUMENT.

DWN	JR_RUTH	02OCT09
CHK	TOM_MICHELUTTI	02OCT09
APVD	MIKE_PERCHERKE	02OCT09
PRODUCT SPEC		
APPLICATION SPEC		
WEIGHT	-	
CUSTOMER DRAWING		

**STE** TE Connectivity

NAME: TERMINAL, NYLON - PIDG - RING TONGUE  
WIRE SIZE: 26-22

SIZE	A2	CAGE CODE	00779	DRAWING NO	C=323916	RESTRICTED TO	-
SCALE	10:1	SHEET	1 of 1	REV	P1		

# Mouser Electronics

Authorized Distributor

Click to View Pricing, Inventory, Delivery & Lifecycle Information:

[TE Connectivity:](#)

[2-323916-1](#)