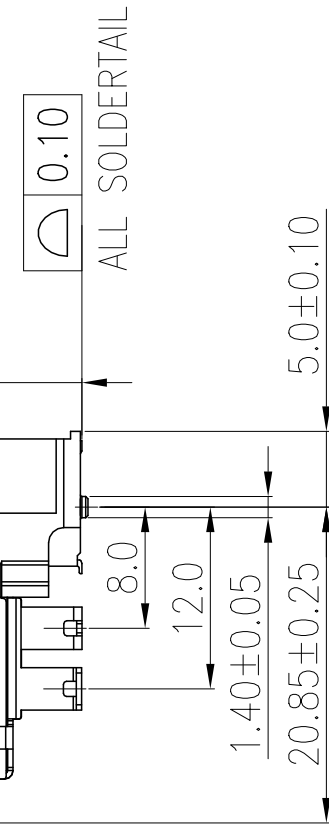
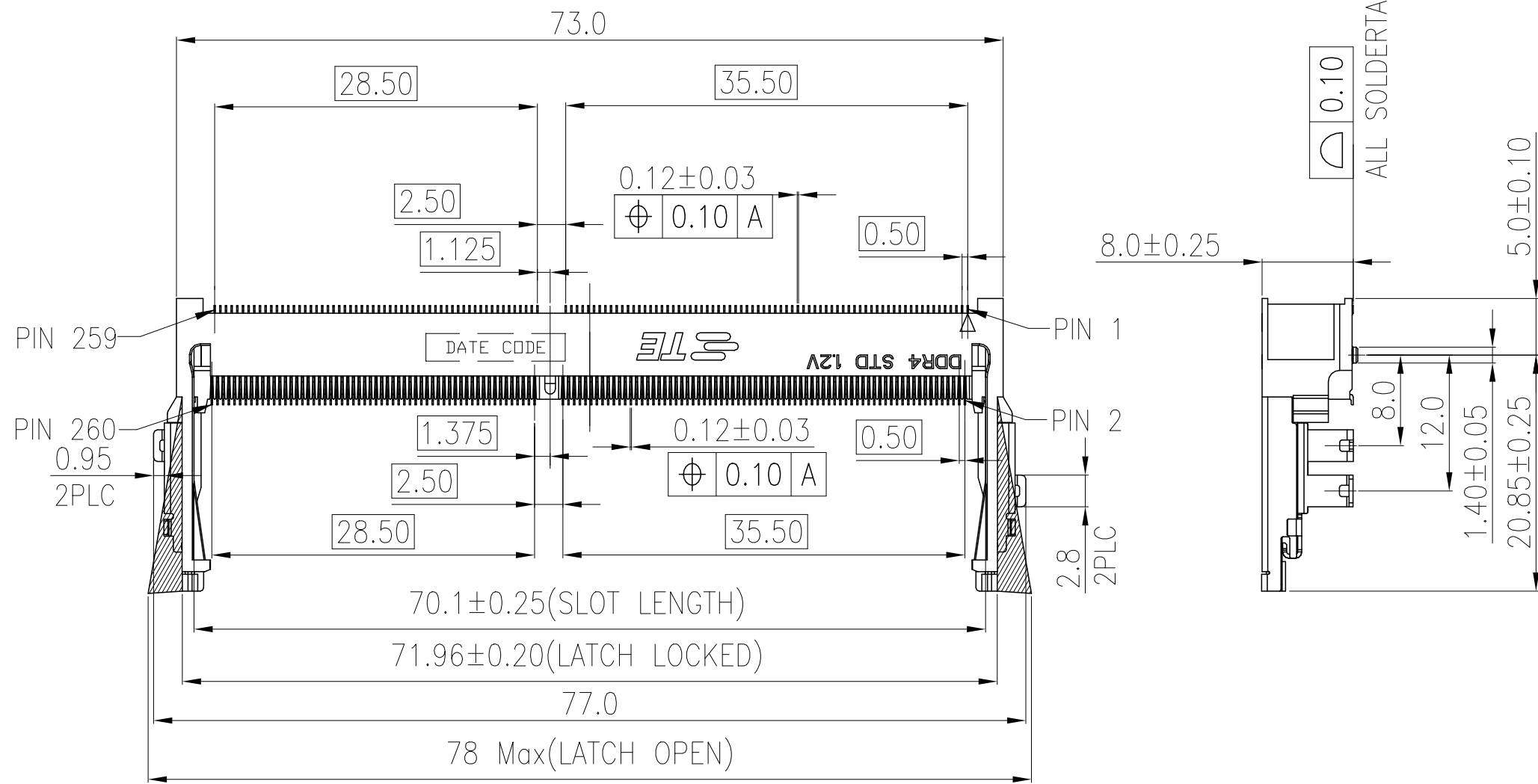
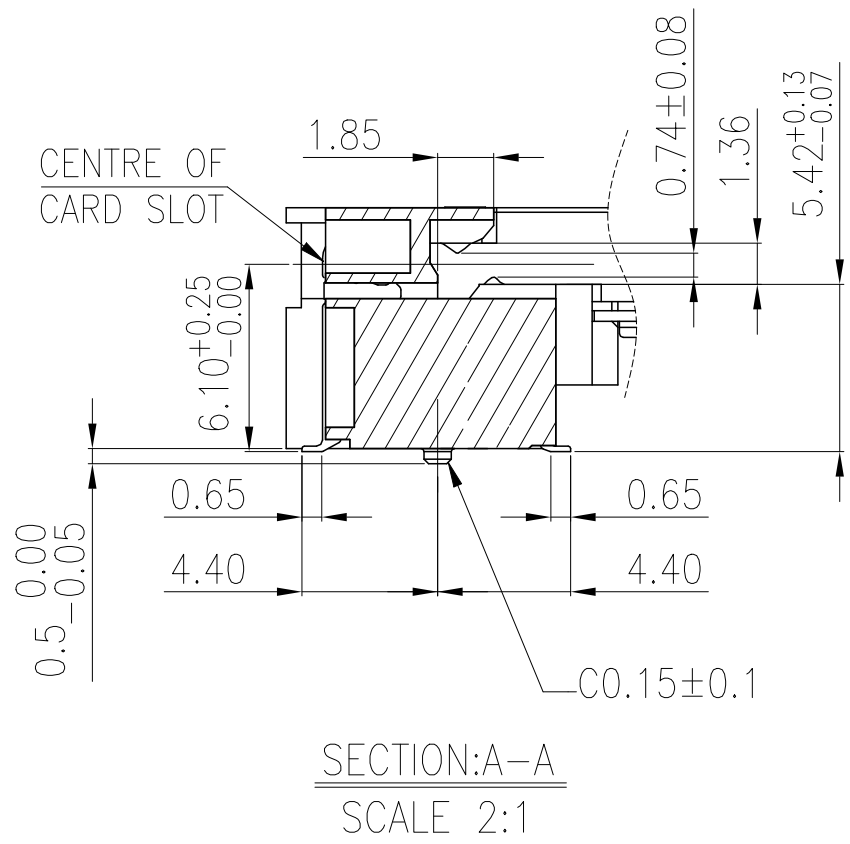
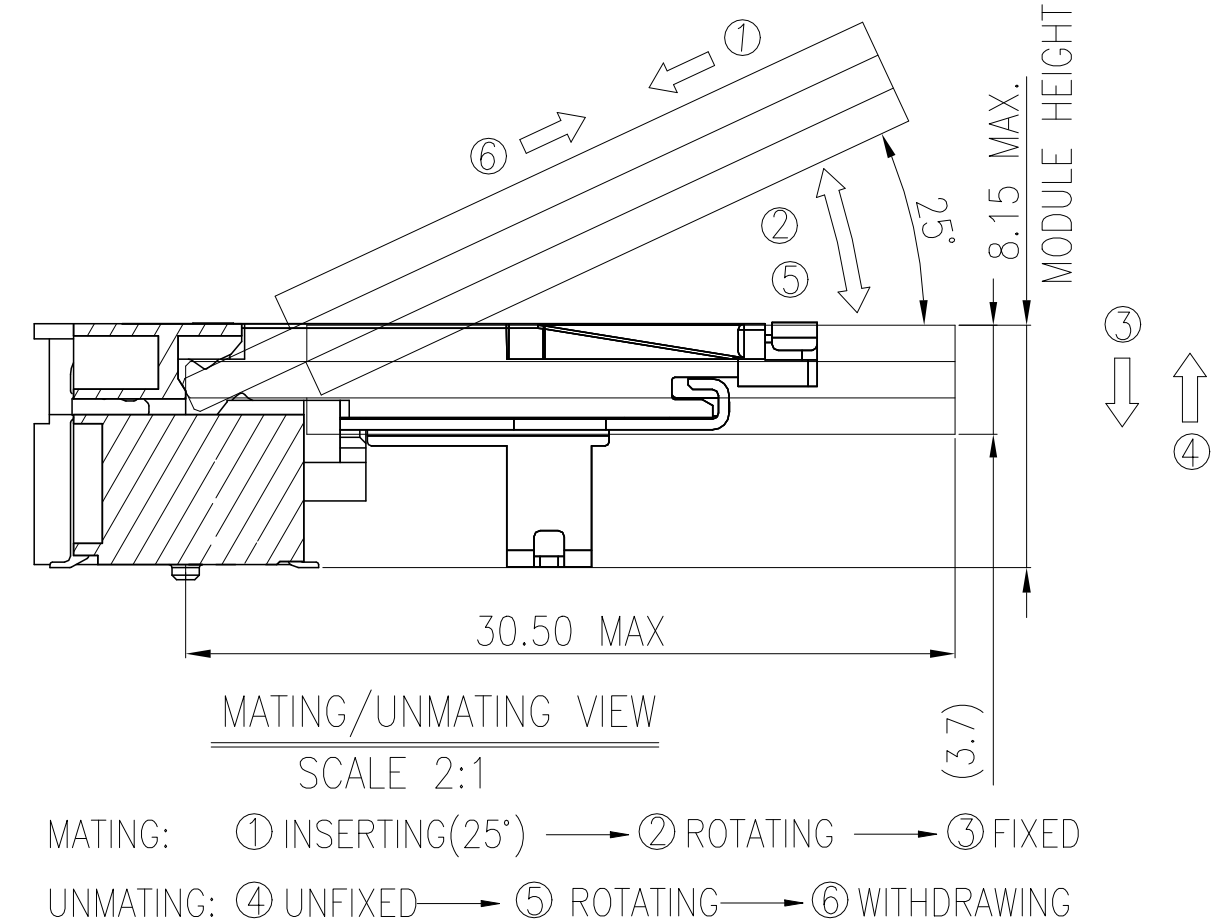
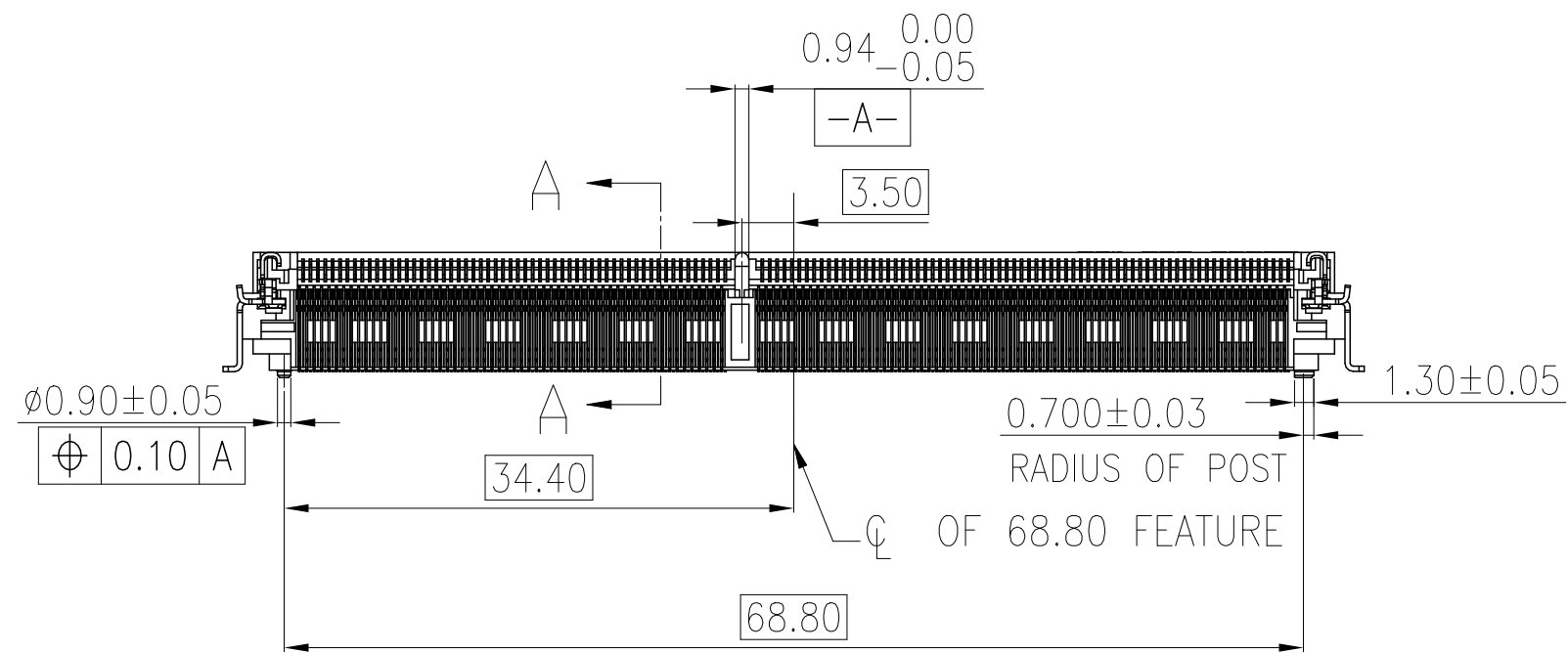


REVISIONS					
P	LTR	DESCRIPTION	DATE	DWN	APVD
4		CHANGE DIM 0.80 TO 0.74 +/-0.08	16NOV2020	SS	DZ



- NOTES:
- MATERIAL:
 - HOUSING: HIGH TEMPERATURE THERMO PLASTIC, UL94V-0, COLOR: BLACK.
 - CONTACT: COPPER ALLOY.
 - SOLDER PEG AND LATCH: STAINLESS STEEL.
 - FINISH:
 - SOLDER PEG: GOLD FLASH ON 50u" MIN NICKEL UNDERPLATED ALL OVER.
 - CONTACT SOLDER AREA: GOLD FLASH ON SOLDER TAIL.
 - CONTACT AREA: GOLD FLASH ON 50u" MIN NICKEL UNDERPLATED ALL OVER.
 - CONTACT AREA: 5u" ON 50u" MIN NICKEL UNDERPLATED ALL OVER.
 - CONTACT AREA: 10u" ON 50u" MIN NICKEL UNDERPLATED ALL OVER.
 - CONTACT AREA: 15u" ON 50u" MIN NICKEL UNDERPLATED ALL OVER.
 - CONTACT AREA: 30u" ON 50u" MIN NICKEL UNDERPLATED ALL OVER.
 - COPLANARITY: 0.10 MAX. (BEFORE SOLDERING)

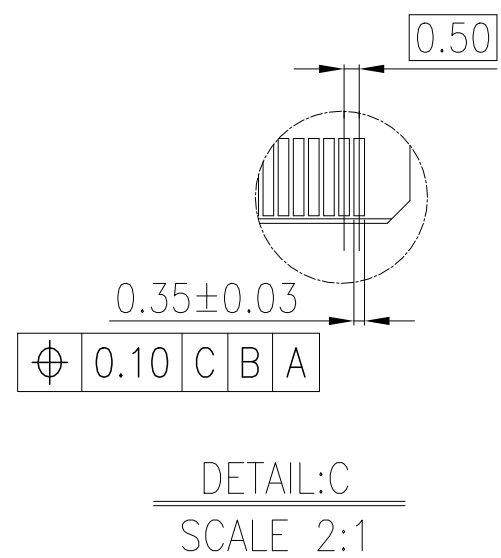
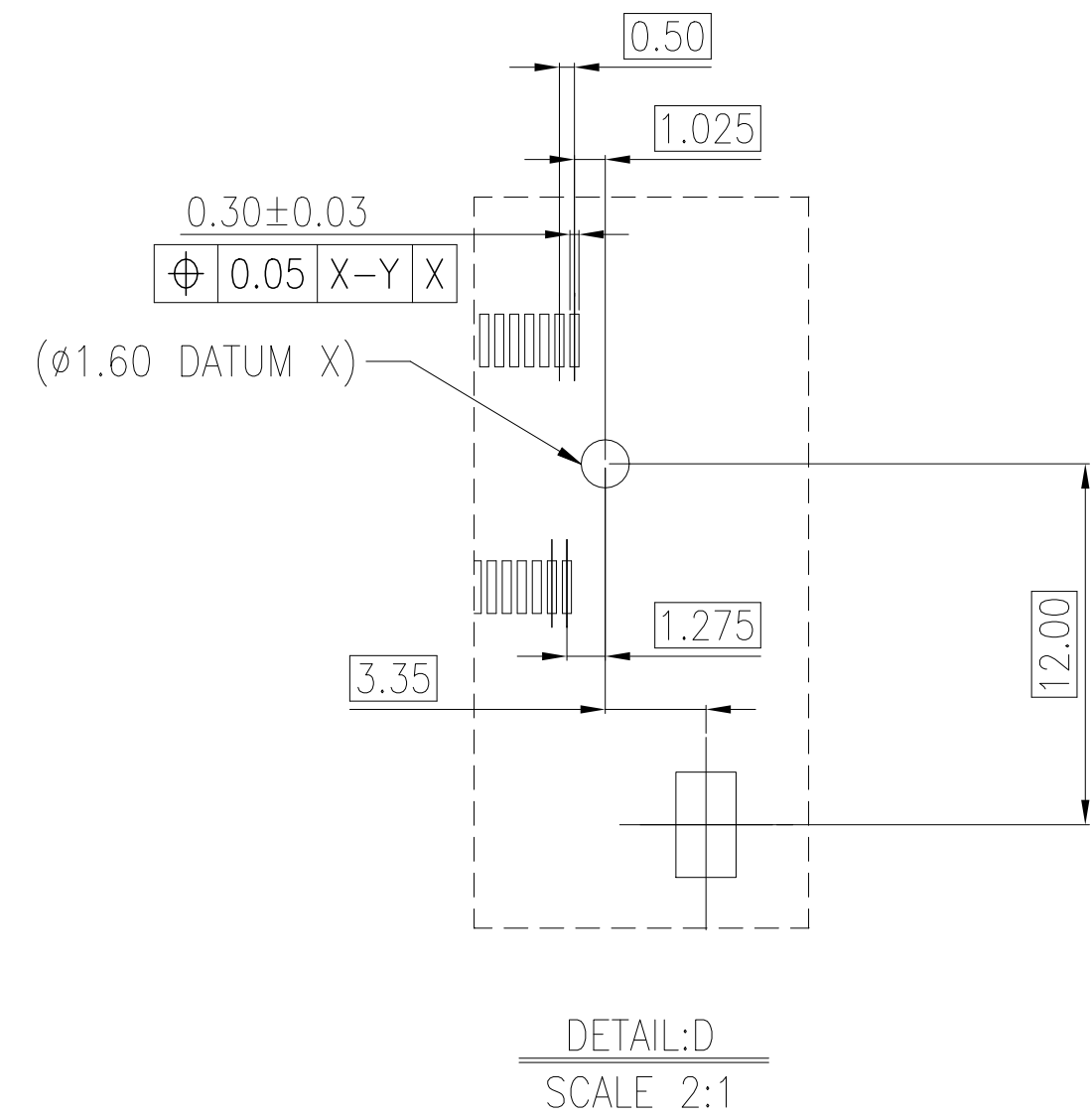
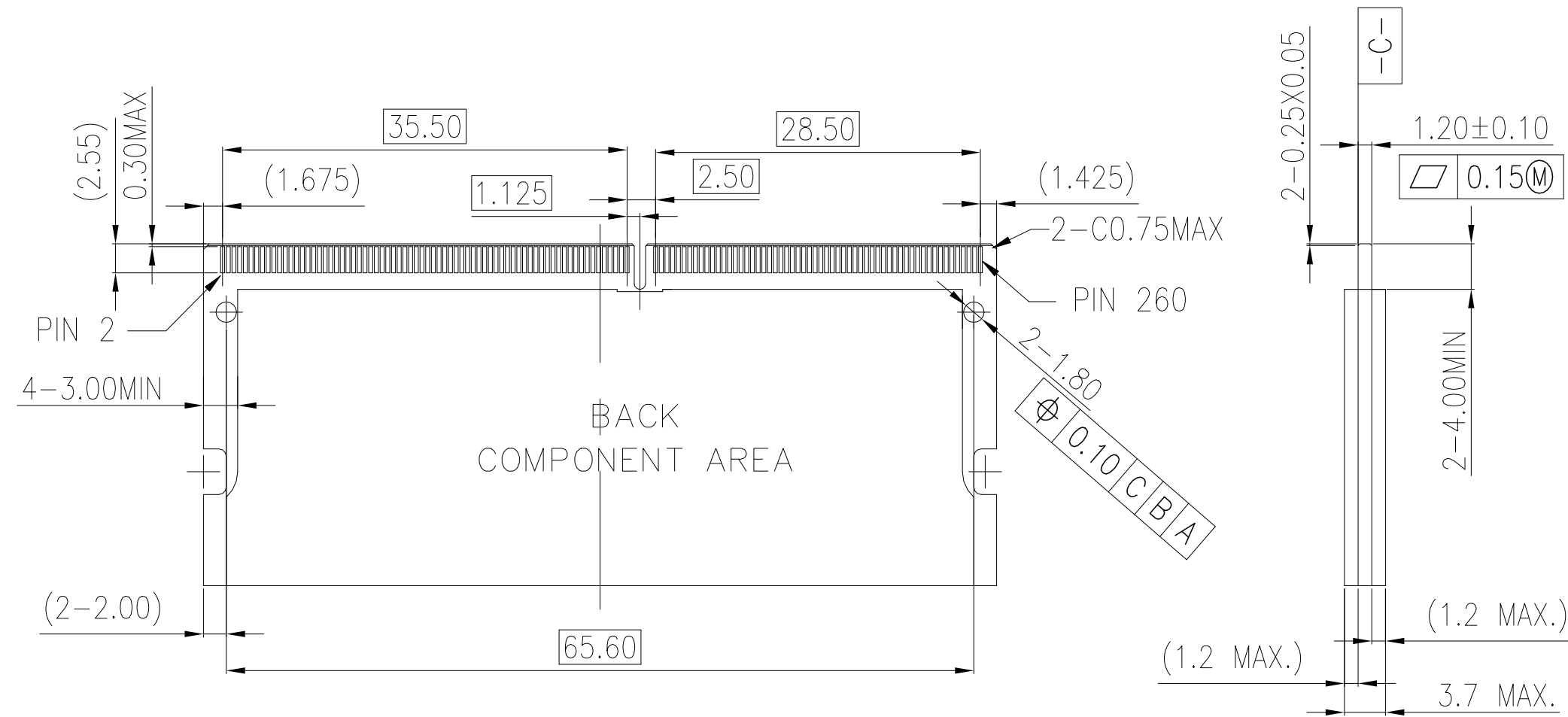
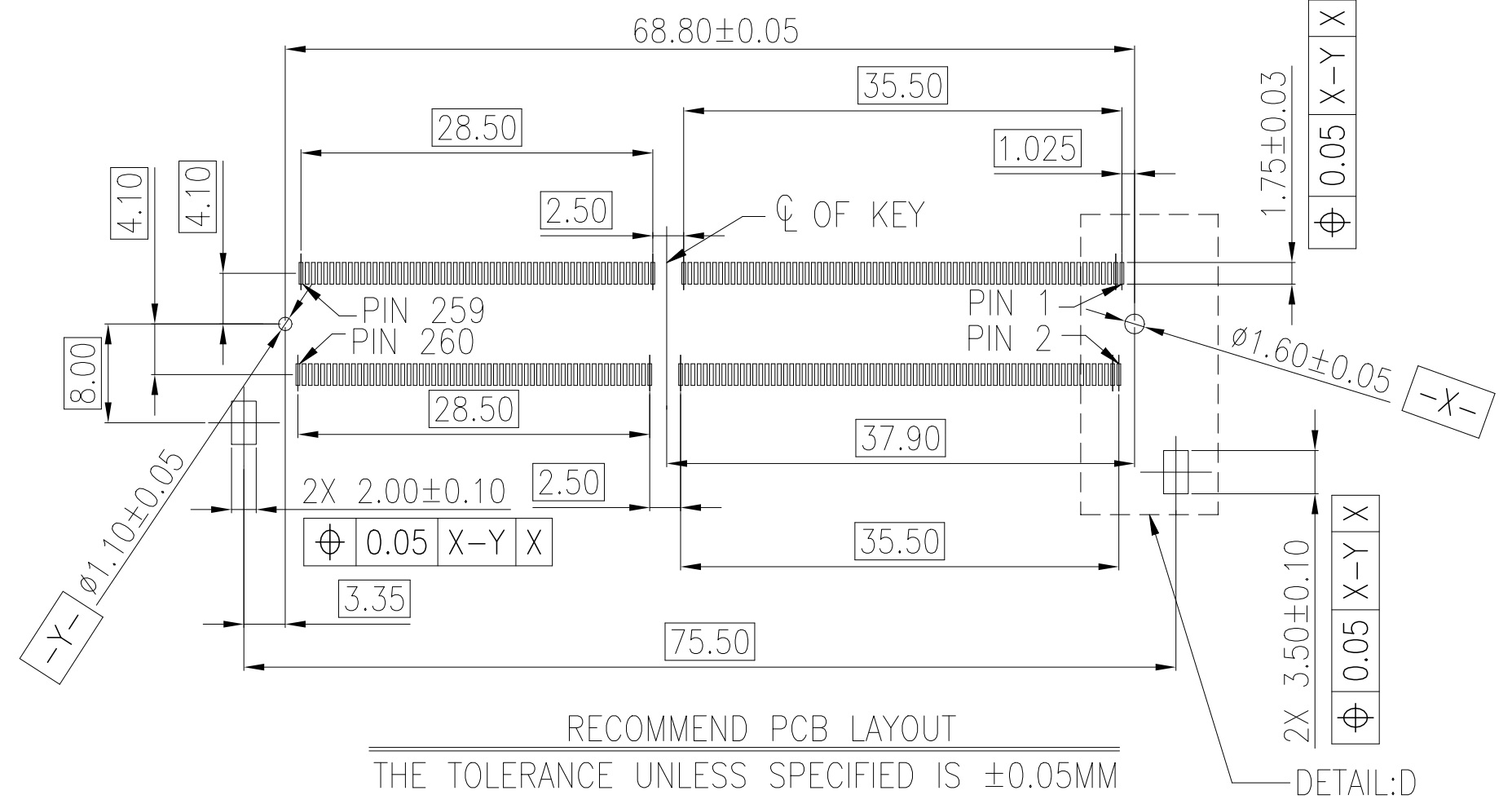
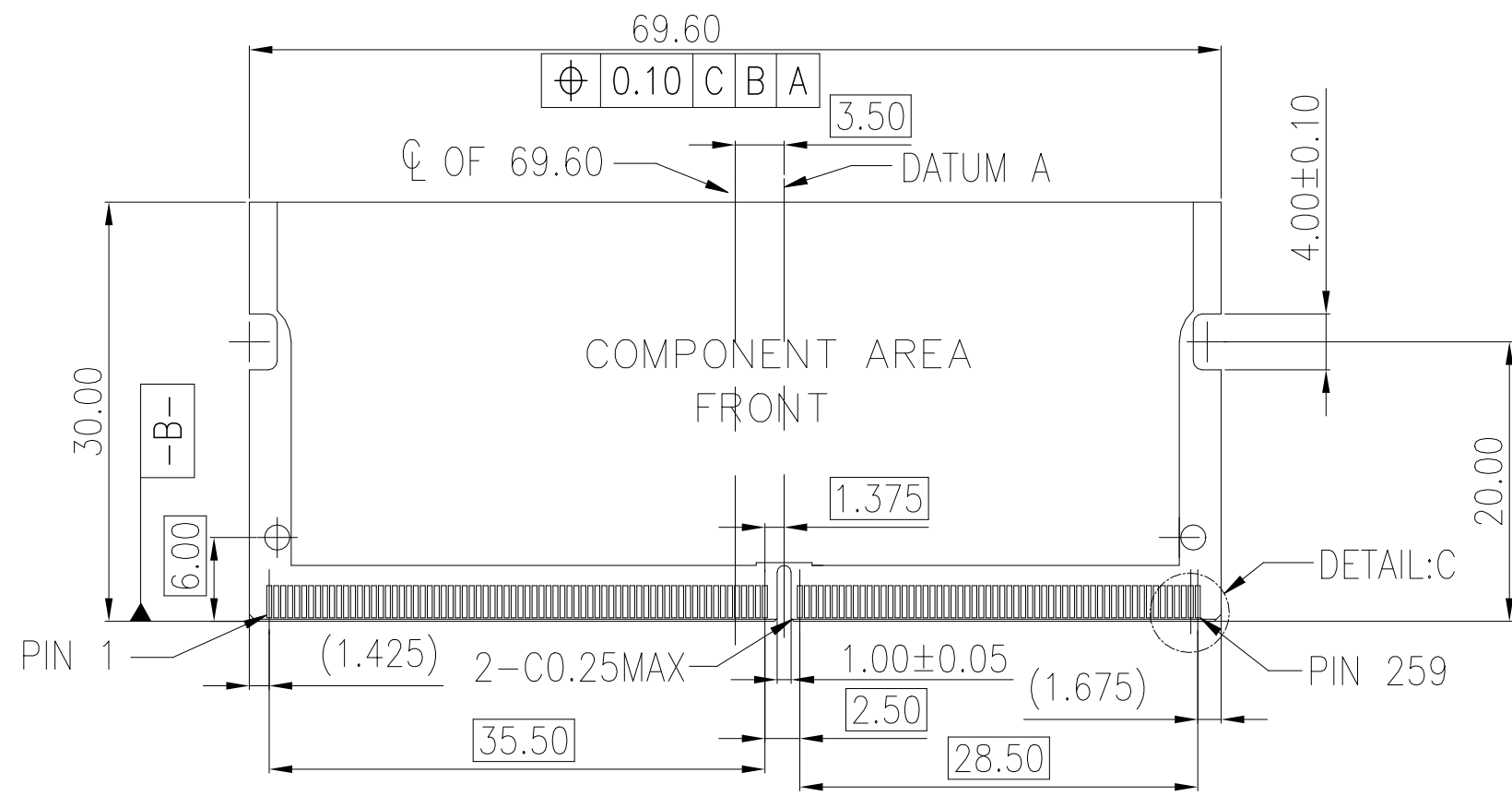


TAPE&REEL	HOUSING COLOR	POWER SUPPLY	FINISH	POS	PART NO.
BLACK	BLACK	1.2V	30u"	260	2309411-5
BLACK	BLACK	1.2V	15u"	260	2309411-4
BLACK	BLACK	1.2V	10u"	260	2309411-3
BLACK	BLACK	1.2V	5u"	260	2309411-2
BLACK	BLACK	1.2V	GF	260	2309411-1

THIS DRAWING IS A CONTROLLED DOCUMENT.

DWN DAVID ZHAO 09SEP2016		TE Connectivity DDR4 SODIMM SOCKET 0.5mm PITCH 260POS 8.0mm HEIGHT STANDARD TYPE			
CHK RICHARD MA 09SEP2016					
APVD SIMON LI 09SEP2016					
PRODUCT SPEC 108-115122					
MATERIAL	WEIGHT	SIZE A2	CAGE CODE 00779	DRAWING NO. C=2309411	RESTRICTED TO
CUSTOMER DRAWING		SCALE 1:1	SHEET 1 of 3	REV 4	

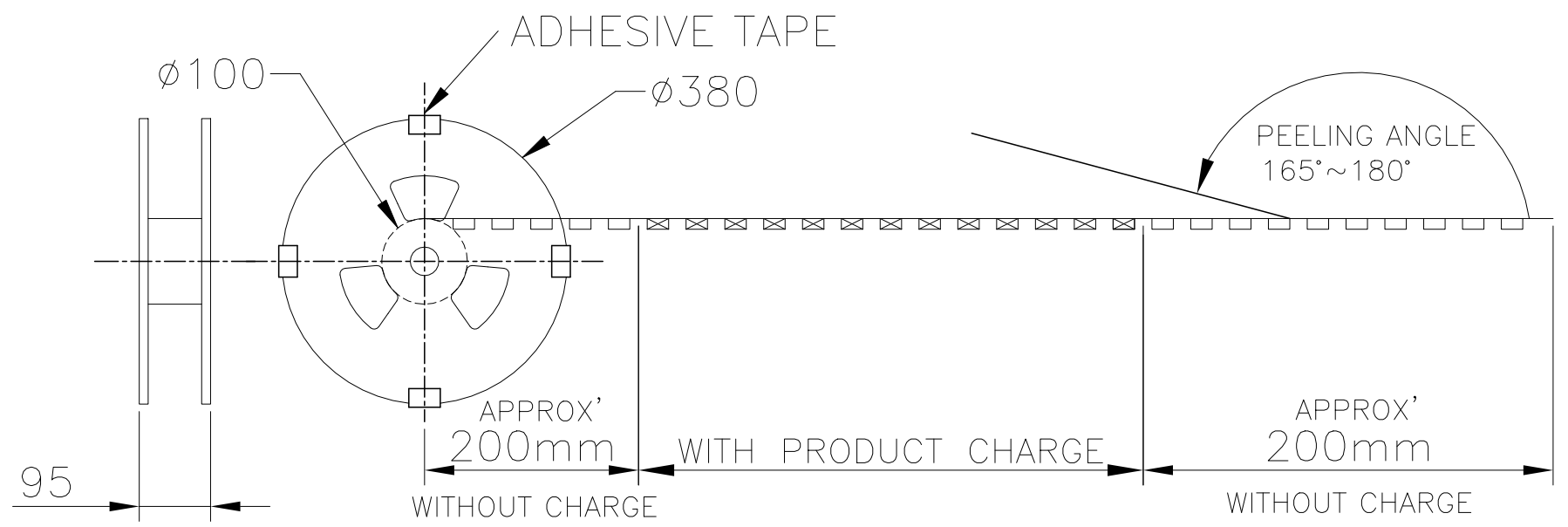
REVISIONS				
P	LTR	DESCRIPTION	DATE	OWN APVD
-	-	-	-	-



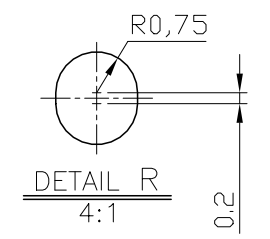
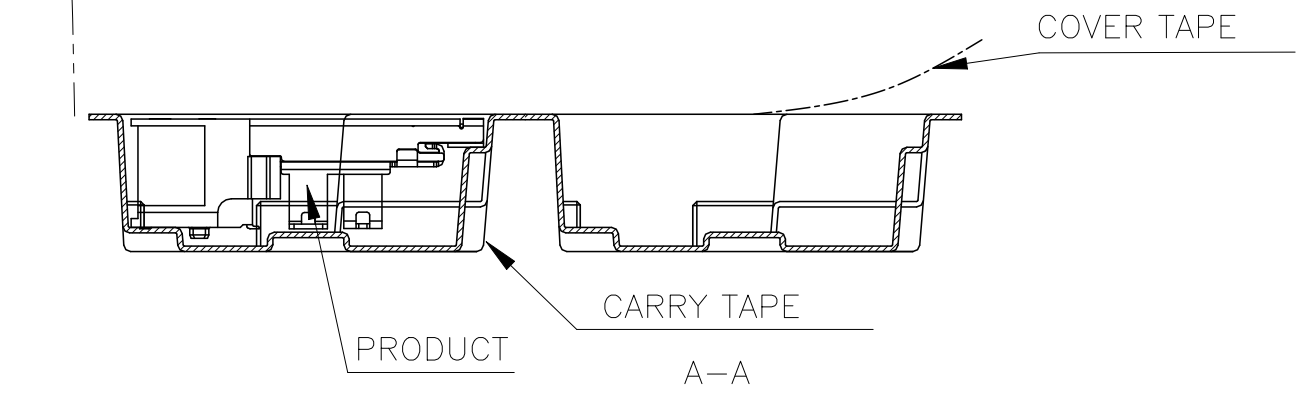
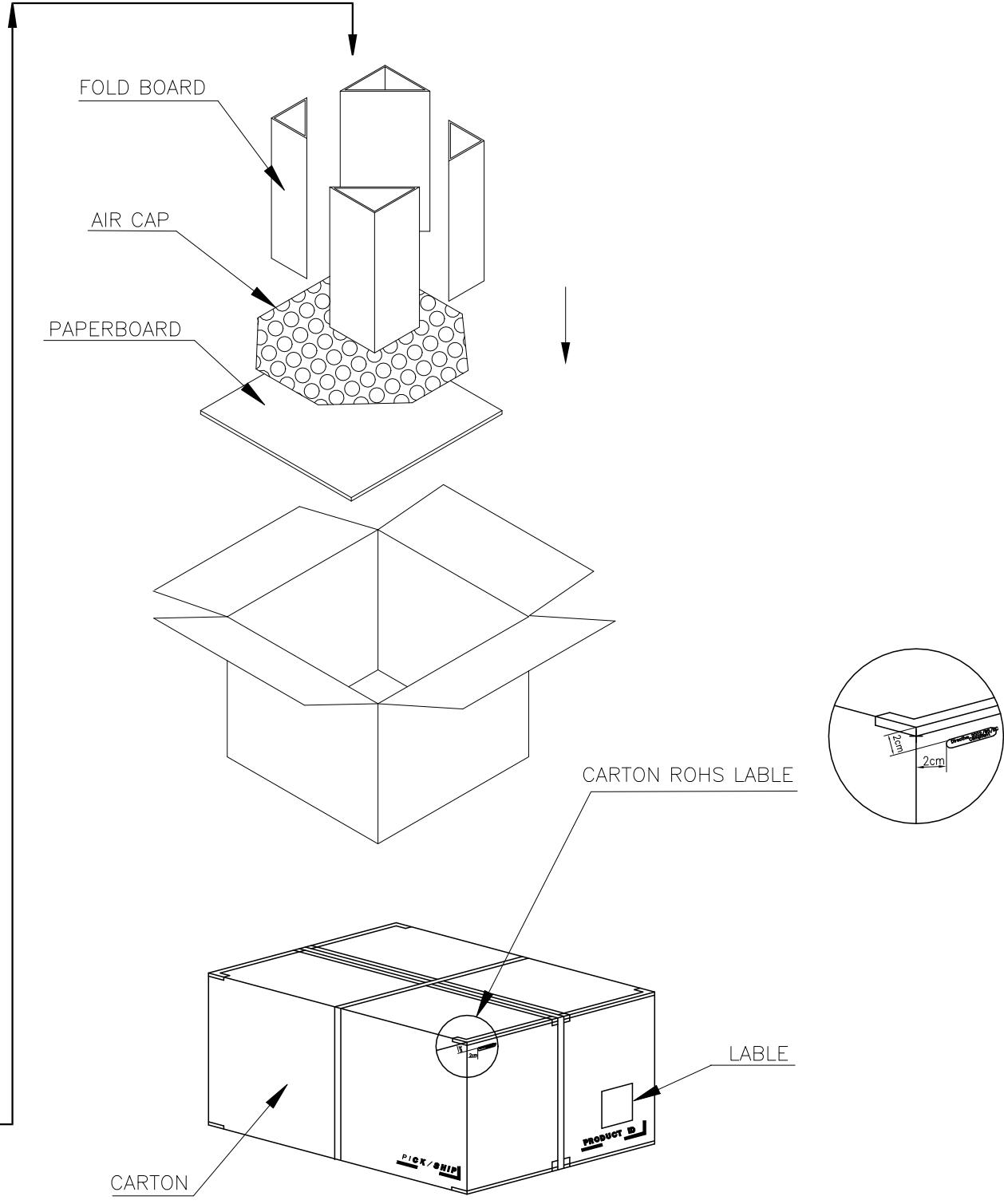
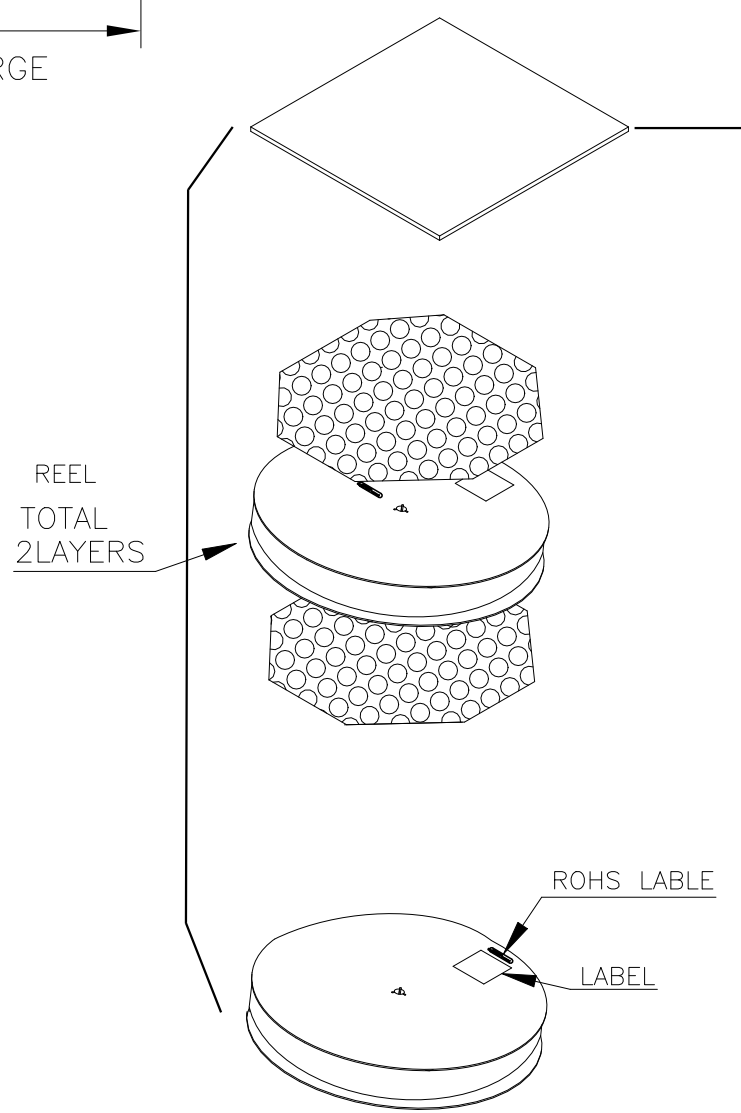
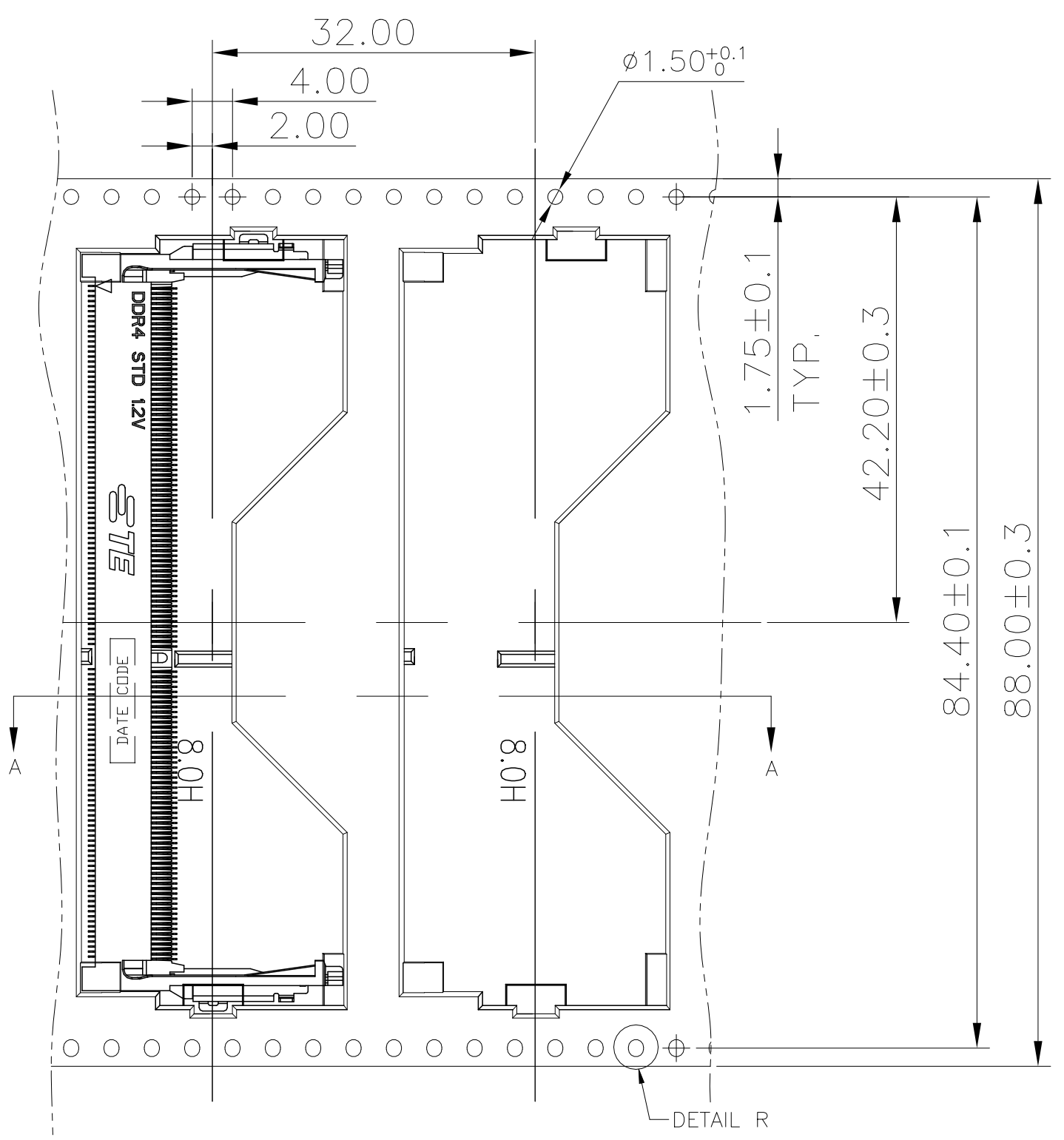
THIS DRAWING IS A CONTROLLED DOCUMENT.		DWN DAVID ZHAO 09SEP2016		TE Connectivity	
DIMENSIONS: mm		CHK RICHARD MA 09SEP2016		NAME	
TOLERANCES UNLESS OTHERWISE SPECIFIED:		APVD SIMON LI 09SEP2016	DDR4 SODIMM SOCKET		
0 PLC ±		PRODUCT SPEC	0.5mm PITCH 260POS		
1 PLC ±		APPLICATION SPEC	8.0mm HEIGHT STANDARD TYPE		
2 PLC ±		WEIGHT	SIZE A2	CAGE CODE 00779	DRAWING NO. C=2309411
3 PLC ±		CUSTOMER DRAWING	RESTRICTED TO	-	
4 PLC ±		SCALE 1:1	SHEET 2 OF 3	REV 4	
ANGLES ±					
FINISH ±					

THIS DRAWING IS UNPUBLISHED. RELEASED FOR PUBLICATION
 © COPYRIGHT 2016 By TE connectivity ALL RIGHTS RESERVED.

REVISIONS					
P	LTR	DESCRIPTION	DATE	DWN	APVD
-	-	-	-	-	-



PULL OUT DIRECTION →



250	2	500	*-2309411-*
PCS/REEL	REEL/CARTON	PCS/CARTON	PART NUMBER

THIS DRAWING IS A CONTROLLED DOCUMENT.		DWN DAVID ZHAO 09SEP2016		TE Connectivity		
DIMENSIONS: mm		CHK RICHARD MA 09SEP2016		NAME		
TOLERANCES UNLESS OTHERWISE SPECIFIED:		APVD SIMON LI 09SEP2016		DDR4 SODIMM SOCKET		
0 PLC ±		PRODUCT SPEC		0.5mm PITCH 260POS		
1 PLC ±		APPLICATION SPEC	8.0mm HEIGHT STANDARD TYPE			
2 PLC ±		WEIGHT	SIZE A2	CAGE CODE 00779	DRAWING NO C=2309411	
3 PLC ±		CUSTOMER DRAWING	RESTRICTED TO		SCALE 1:1	
4 PLC ±			SHEET 3 of 3		REV 4	
ANGLES ±						
FINISH ±						

Mouser Electronics

Authorized Distributor

Click to View Pricing, Inventory, Delivery & Lifecycle Information:

[TE Connectivity:](#)

[2309411-1](#)