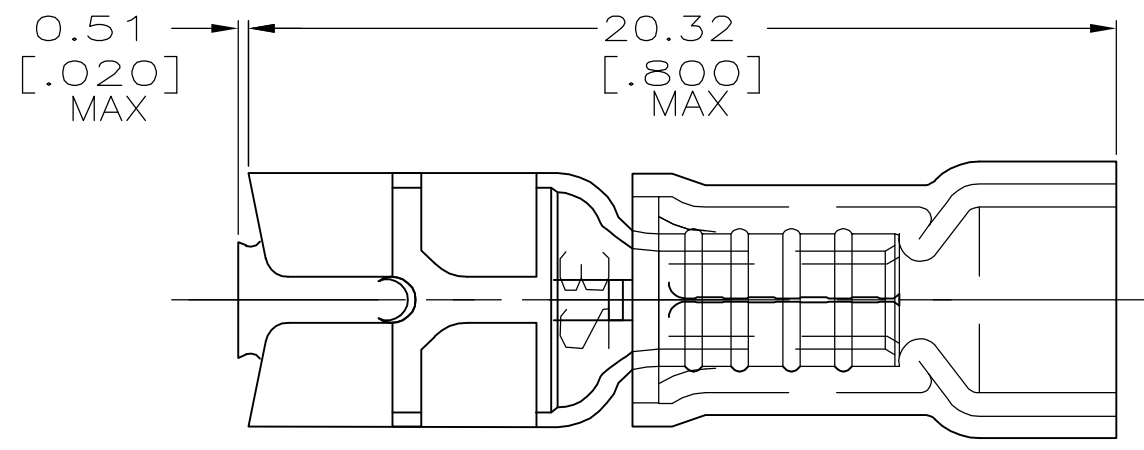


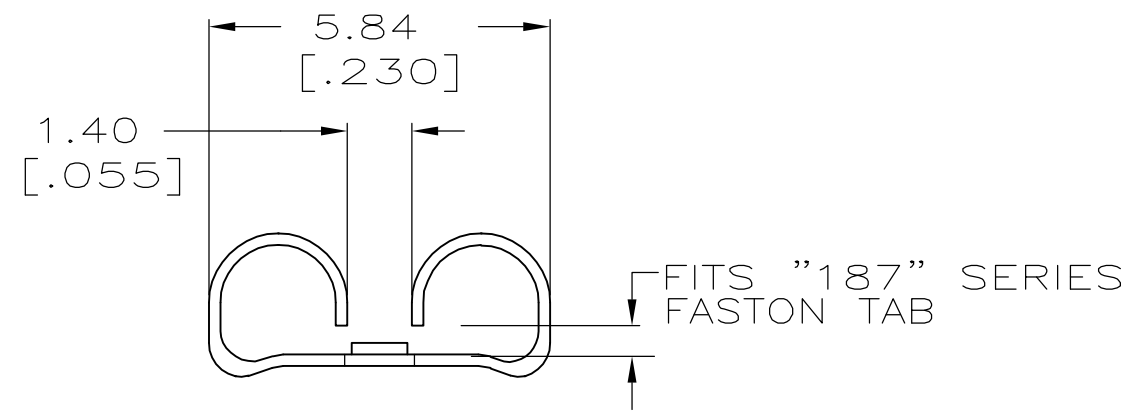
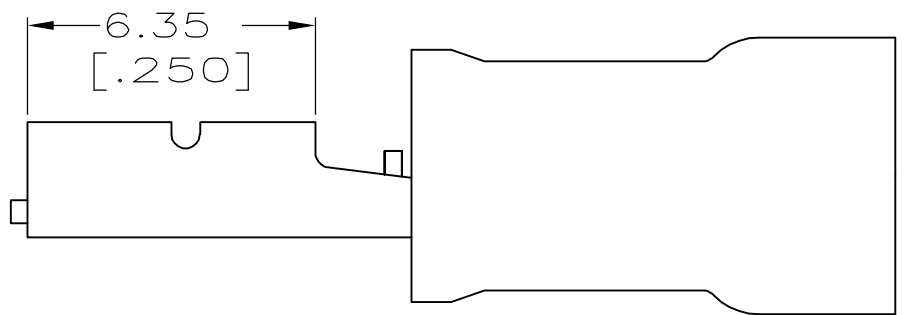
THIS DRAWING IS UNPUBLISHED. RELEASED FOR PUBLICATION  
 © COPYRIGHT BY TYCO ELECTRONICS CORPORATION. ALL RIGHTS RESERVED.

LOC	DIST	REVISIONS					
G	14	P	LTR	DESCRIPTION	DATE	DWN	APVD
			E3	REV PER ECR 07-006476	20MAR07	JR	TM

**AMP**  
 WIRE SIZE  
 22-18 AWG  
 STRANDED



- 1. INSULATION DIA 3.43 [.135] MAX
- 2. FITS TAB 0.81 [.032] THK
- 3 EASIER INSERTION
- 4 PRELIMINARY - NOT FOR PRODUCTION



4000	PVC, BLACK	ON TAPE, REEL	4 2-184268-2
1000	PVC, BLACK	LOOSE PIECE	4 2-184268-1
4000	NYLON, RED	ON TAPE, REEL	4 1-184268-2
1000	NYLON, RED	LOOSE PIECE	4 1-184268-1
4000	NYLON, RED	TAPE MOUNTED	184268-2
1000	NYLON, RED	LOOSE PIECE	184268-1
QTY	SLEEVE MATL./COLOR	PACKAGE TYPE	PART NO

THIS DRAWING IS A CONTROLLED DOCUMENT.		DWN L OLMEDA 29MAY96	<b>tyco</b> Tyco Electronics Corporation	
DIMENSIONS: mm		CHK M ELLIS 29MAY96	<b>Electronics</b> Harrisburg, PA 17105-3608	
TOLERANCES UNLESS OTHERWISE SPECIFIED:		APVD B BARE 29MAY96	NAME	
0 PLC ± -		PRODUCT SPEC	RECEPTACLE, 187 SERIES, LOW INSERTION	
1 PLC ± -		APPLICATION SPEC	FORCE, FASTON, PIDG,	
2 PLC ± 0.38 [.015]		WEIGHT -	SIZE A3	CAGE CODE 00779
3 PLC ± -		MATERIAL BODY, BRASS .016	DRAWING NO C-184268	
4 PLC ± -			RESTRICTED TO -	
ANGLES ± -		CUSTOMER DRAWING		SCALE 1:1
FINISH BODY, TIN		SHEET 1 OF 1		REV E3

# Mouser Electronics

Authorized Distributor

Click to View Pricing, Inventory, Delivery & Lifecycle Information:

[TE Connectivity:](#)

[184268-1](#)