

ZEICHNUNG GESCHÜTZT DURCH
©COPYRIGHT 1988
AMP DEUTSCHLAND GMBH
ALLE RECHTE VORBEHALTEN

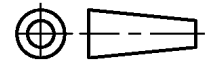
REV.	ÄNDERUNG	DATUM	NAME
2	ZEICHNUNG IN EUROPEAN PROJECTION GEÄNDERT	04.12.90	A.HO
3	LÖTLÄNGE VON 3 IN 3.1 GEÄNDERT	12.03.92	A.HO
C	VERPACKUNGSANGABE HINZU	15.01.96	F.RDT
C1	NOTE 3 CHANGED FROM SnPb into Sn	23.03.06	K.-H. HESS

DO NOT SCALE

DIMENSIONS IN mm

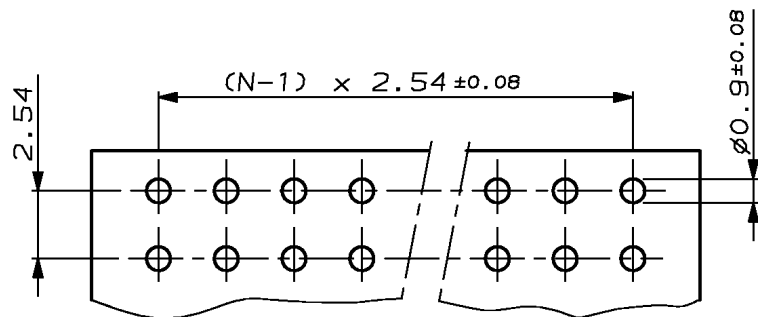
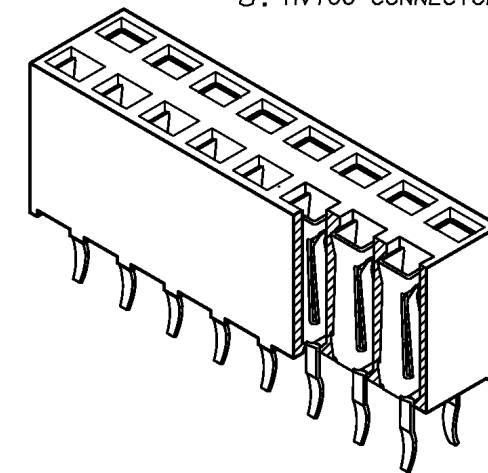
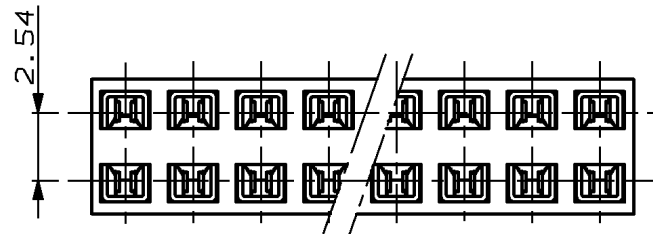
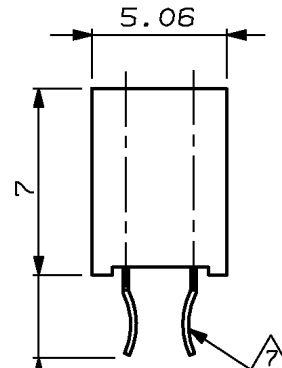
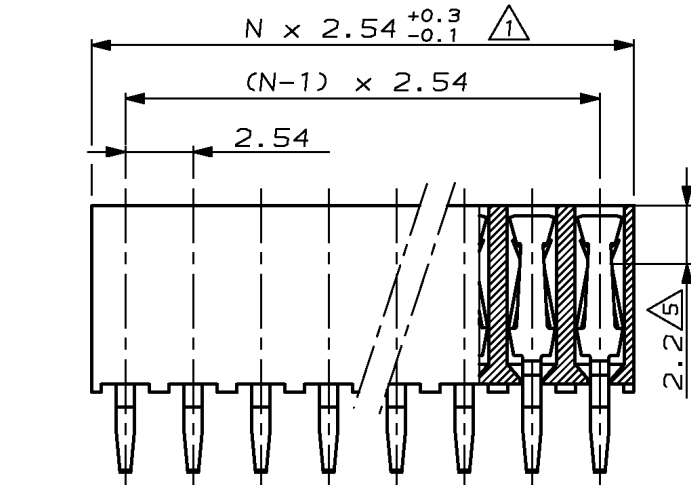
METRIC

EUROPEAN
PROJECTION



NOTES:

1. TO DETERMINE DIMENSIONS TAKE $2 \times N = \text{NR. OF POS.}$.
FOR EXAMPLE: $2 \times 10 \text{ POS.} = N \times 2,54 = 25,4 \text{ mm.}$
FOR ORDERNR. USE BASIC NR. + NR. OF POS.
FOR EXAMPLE: $2 \times 2 \text{ POS.} = 215 \text{ 307-2}$ (SHORTEST VERSION)
 $2 \times 36 \text{ POS.} = 3-215 \text{ 307-6}$ (LONGEST VERSION)
2. HOUSING MATERIAL: GREEN GLASSFILLED POLYESTER,
UL 94V-0
CONTACT MATERIAL: PHOSPHORBRONZE.
3. PLATING: UNDERCOATING: $1,3 \mu\text{m Ni.}$
AT CONT.PLACE: $0,8 \mu\text{m Au.}$
AT SOLDER-TYNES: MIN. $2,5 \mu\text{m Sn.}$
4. MATES WITH 0,63 SQUARE/ROUND MODU POSTS.
5. CONTACT-POINT.
6. RECOMMENDED P.C.BOARD-THICKNESS: 1,6.
7. RETENTION FEATURE.
8. HV100 CONNECTOR PACKED IN ANTISTATIC BLISTER



P.C.-BOARD HOLE-PATTERN

NICHT TOLERIERTE MASSE	CHK.	DATE
± 0.1mm	W.SIMONS	
± -		
MASSTAB	APP.	DATE
5:1	L.v. SOEST	

VERWENDET FÜR E 91-52 572	SEE NOTES FINISH	SEE NOTES MATERIAL	SEE NOTES PARTNUMBER
CUSTOMER DRAWING	AMP AMP-HOLLAND B.V. 's-Hertogenbosch, The Netherlands.		
	THIS DRAWING IS UNPUBLISHED RELEASED FOR PUBLICATION 8.5.1987		
FOR REFERENCE ONLY WILL NOT BE UPDATED	© COPYRIGHT 1987 BY AMP-HOLLAND B.V. ALL INTERNATIONAL RIGHTS RESERVED. AMP PRODUCTS MAY BE COVERED BY U.S. AND FOREIGN PATENTS AND/OR PATENTS PENDING.		
DR. R.VISSER	DATE 08.05.87	WIRE RANGE -	NAME HV 100 VERTICAL CONNECTOR
		INSUL.RANGE -	DUAL ROW, 7,0mm HEIGHT, TOP ENTRY, GOLD, MAX. 2x36 POSITIONS.
		APP. L.v. SOEST	REV.DATE D M Y 150196
		SIZE A3	REV.LTR. C1
		SHEET 1 OF 1	
		DWG. No. 215307	