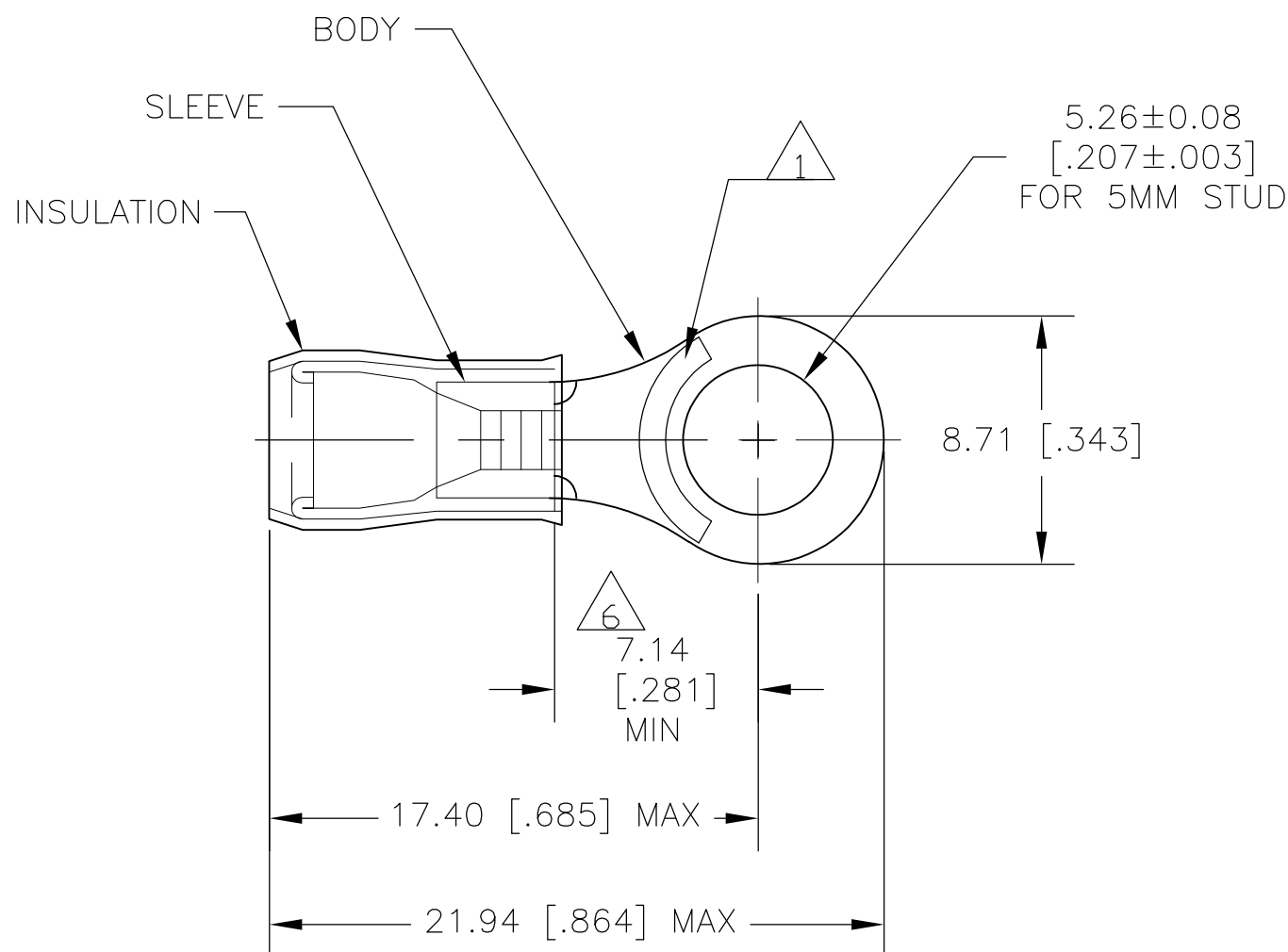


THIS DRAWING IS UNPUBLISHED. RELEASED FOR PUBLICATION  
 © COPYRIGHT - By - ALL RIGHTS RESERVED.

| LOC | DIST | REVISIONS |     |                           |         |     |      |
|-----|------|-----------|-----|---------------------------|---------|-----|------|
|     |      | P         | LTR | DESCRIPTION               | DATE    | DWN | APVD |
| G   | 14   |           | K1  | REVISED PER ECO-11-004820 | 11MAR11 | RK  | HMR  |



- 1 STAMP AMP 16-14 APPROX AS SHOWN
- 2 WIRE INSULATION DIA: 2.9-4.3 [.115-.170]
- 3 TONGUE MATERIAL THK: 0.78±0.05 [.031±.002]
- 4 BODY & SLEEVE: TIN PLATE PER ASTM B545,
- 5 BODY & SLEEVE- CU PER ASTM B152  
INSULATION - NYLON, COLOR - BLUE
- 6 APPLIES FROM EDGE OF METAL WIRE BARREL TO CENTER OF STUD HOLE.

|      |              |            |
|------|--------------|------------|
| 5000 | ON TAPE      | 2-130094-1 |
| 1000 | LOOSE PIECE  | 130094     |
| QTY  | PACKAGE TYPE | PART NO    |

|  |  |   |  |   |                                  |   |  |                 |
|--|--|---|--|---|----------------------------------|---|--|-----------------|
| AMP INCORPORATED<br>CUSTOMER SERVICE SYSTEMS                                     |  | MAX RECOMMENDED OPERATING TEMPERATURE:<br>150°C MAX   | THIS DRAWING IS A CONTROLLED DOCUMENT. |   | DWN<br>JR RUTH<br>10JAN08        | TE Connectivity<br>NAME<br>TERMINAL, RING TONGUE,<br>P.I.D.G.<br>WIRE SIZE: 16-14 AWG |  |                 |
| FOR ADDITIONAL PRODUCT INFORMATION OR COPIES OF DRAWINGS AND TECHNICAL DOCUMENTS | PRODUCT INFORMATION CENTER<br>1-800-522-6752 | VOLTAGE RATING:<br>-  | DIMENSIONS:<br>MM [INCHES]             | TOLERANCES UNLESS OTHERWISE SPECIFIED:                                      | CHK<br>T MICHIELUTTI<br>10JAN08  |   |  |                 |
| FOR APPLICATION TOOLING INFORMATION  | TOOLING ASSISTANCE CENTER<br>1-800-722-1111  | CIRCULAR MIL AREA:<br>1.04-2.62mm² [2,050-5,180] STRANDED   |  | 0 PLC ± -<br>1 PLC ± -<br>2 PLC ± -<br>3 PLC ± -<br>4 PLC ± -<br>ANGLES ± - | APVD<br>T MICHIELUTTI<br>10JAN08 | CAGE CODE   |  |                 |
| FOR ORDER ENTRY  | 1-800-526-5142                               | THIS DRAWING IS A CONTROLLED DOCUMENT FOR AMP INCORPORATED. IT IS SUBJECT TO CHANGE AND THE CONTROLLING ENGINEERING ORGANIZATION SHOULD BE CONTACTED FOR THE LATEST REVISION. | MATERIAL<br>- 5                        | FINISH<br>- 4   | PRODUCT SPEC<br>-                | DRAWING NO  |  |                 |
|  |  |   |  |   | APPLICATION SPEC<br>-            | RESTRICTED TO   |  |                 |
|  |  |   |  |   | WEIGHT<br>-                      | A300779 C-130094  |  |                 |
|  |  |   |  |   | CUSTOMER DRAWING                 |   |  | SCALE<br>4:1    |
|  |  |   |  |   |                                  |   |  | SHEET<br>1 OF 1 |
|  |  |   |  |   |                                  |   |  | REV<br>K1       |