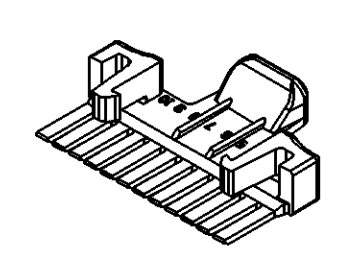
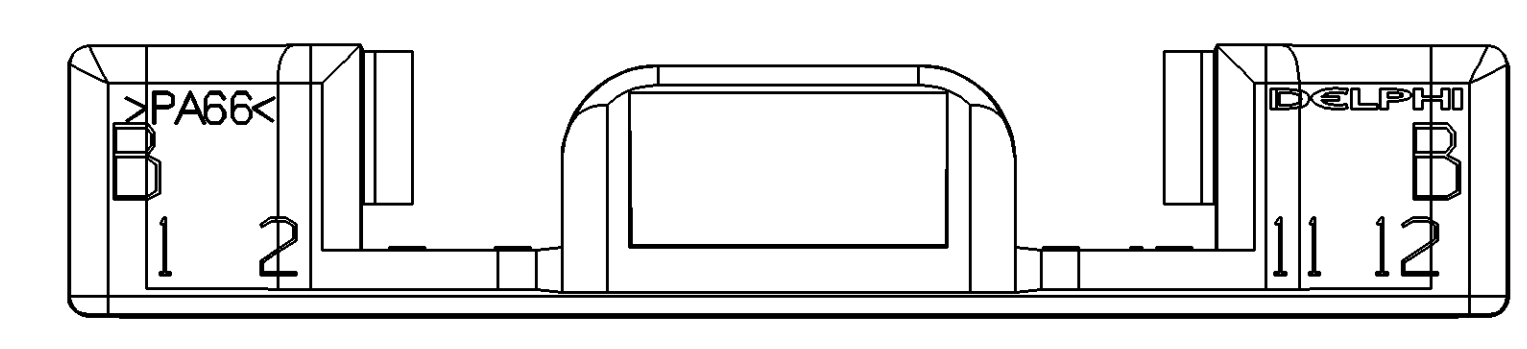
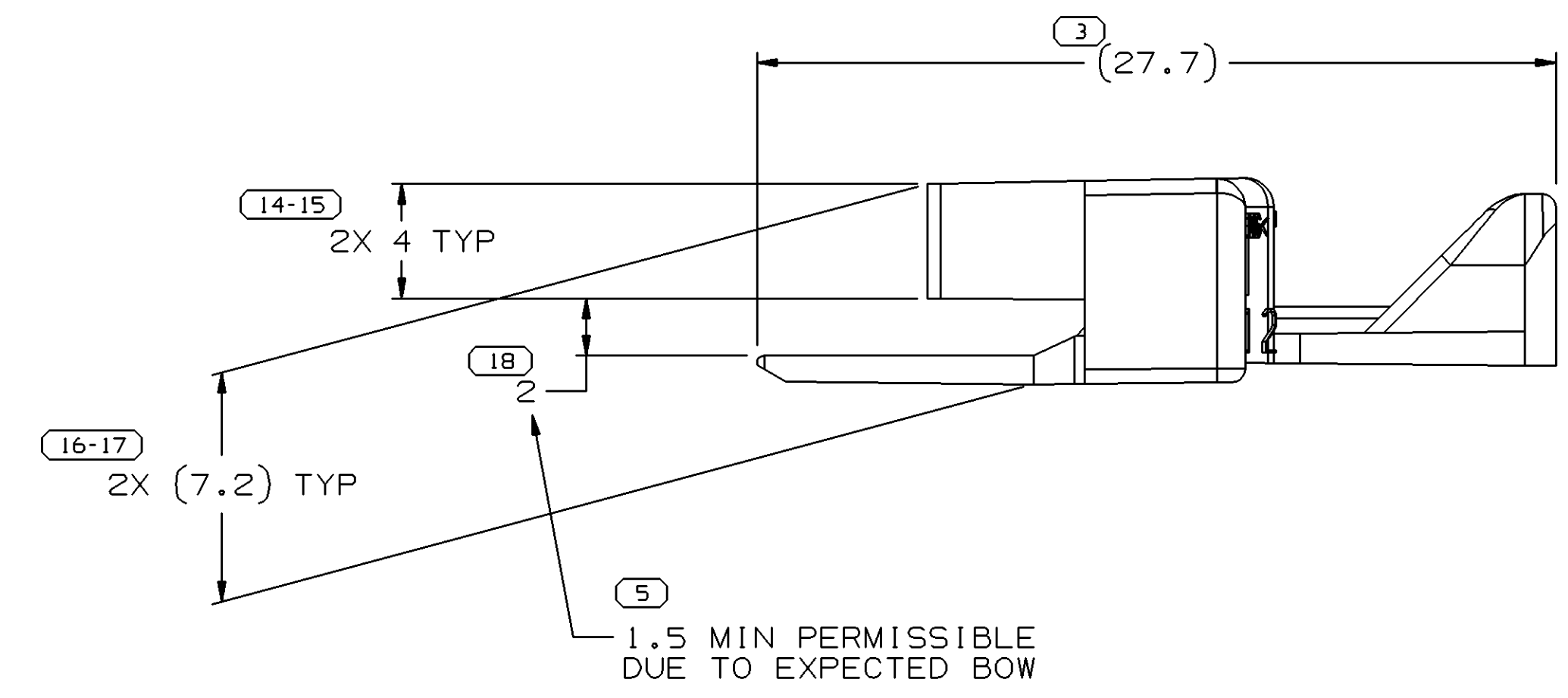
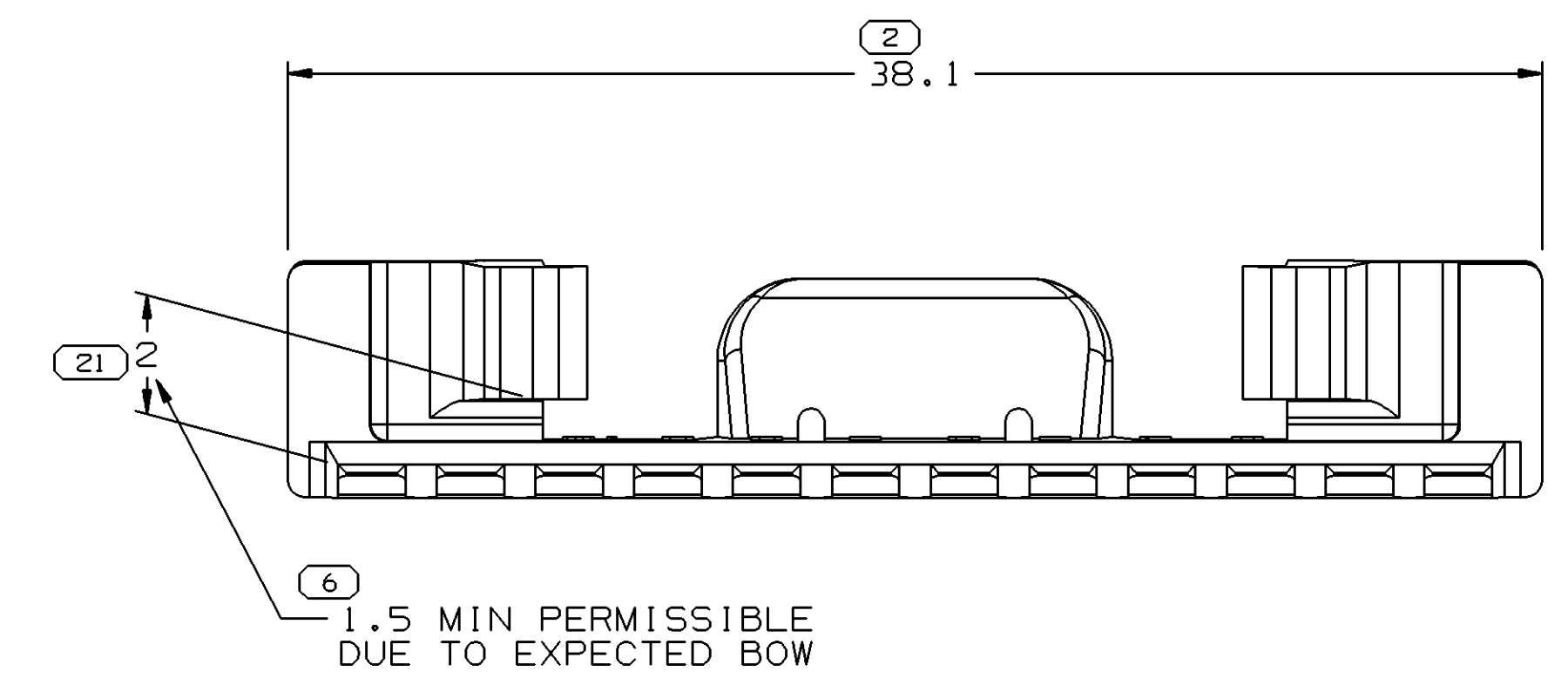
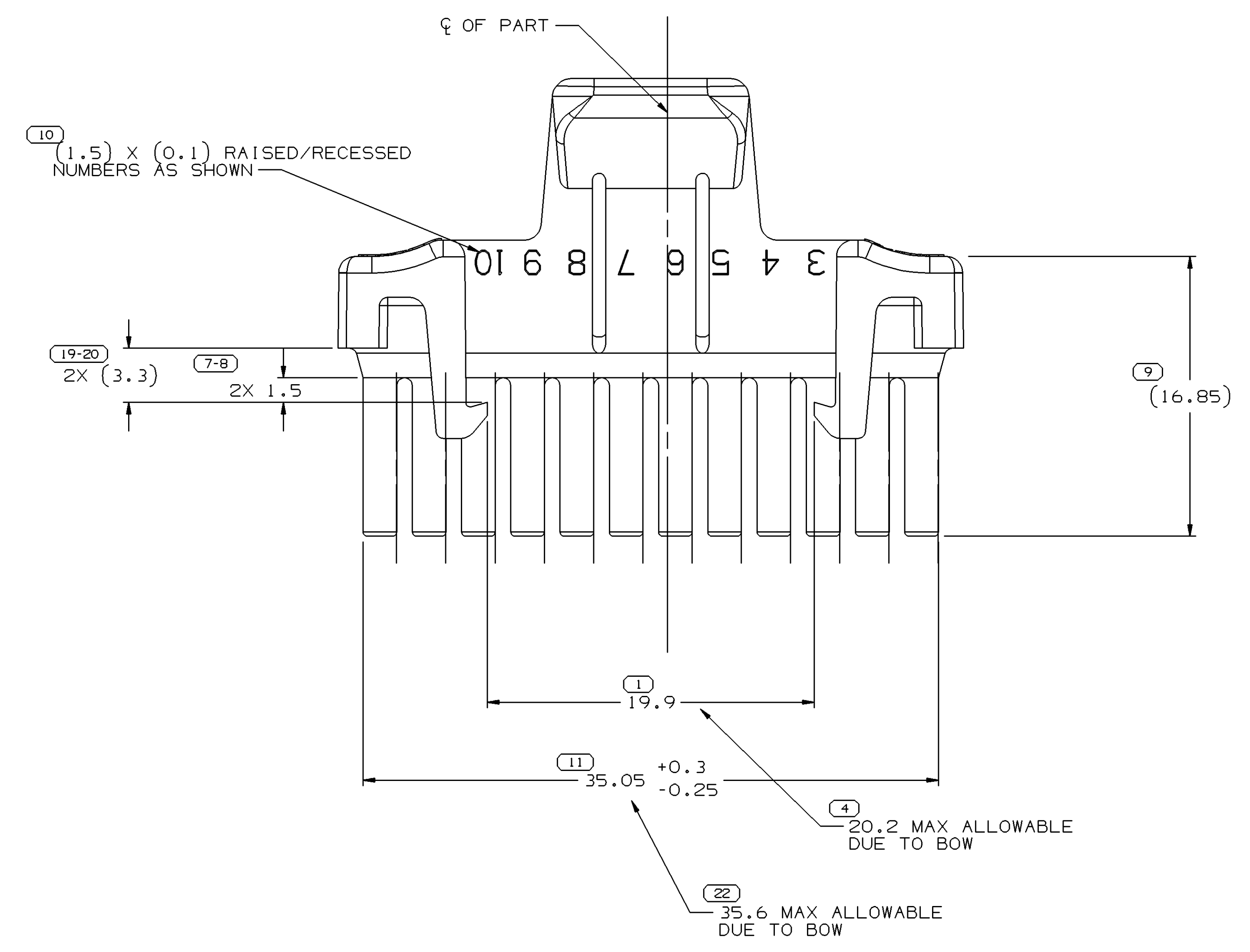
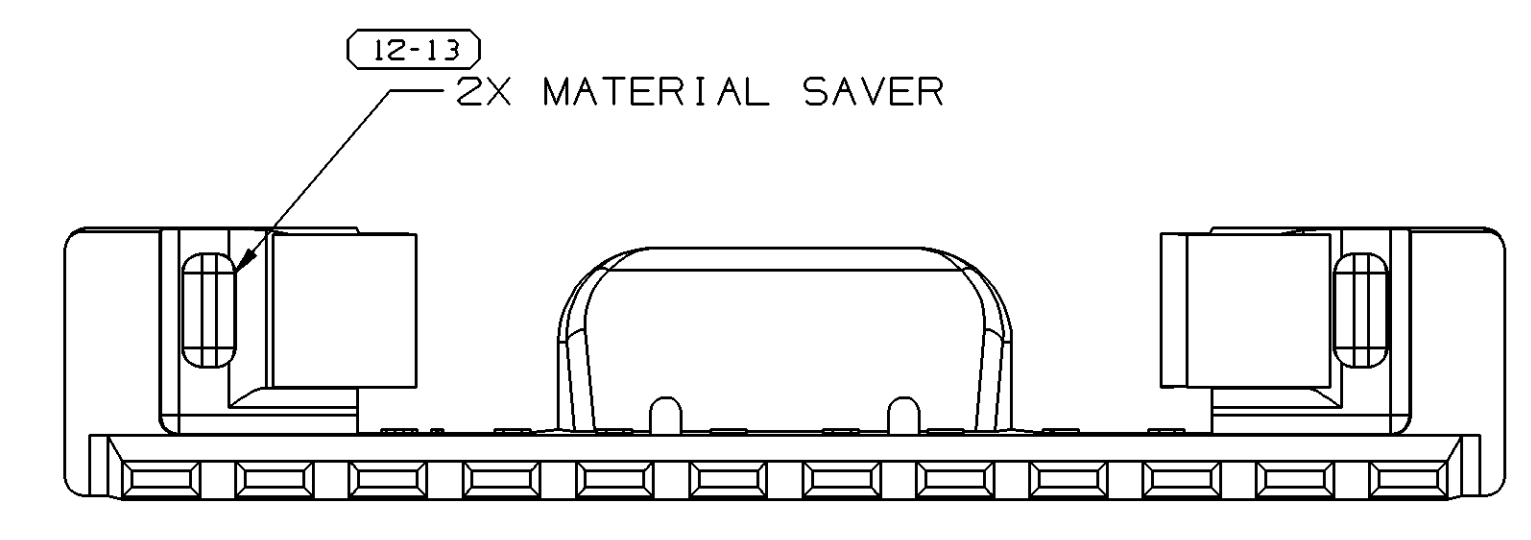


SYMBOL DEFINITION		MISSING NUMBERS		DWG STATUS				REVISION HISTORY				AUTH	DR	APVD	
DATE	STG	REV	W/P	CHG	ZONE	DATE	STG	REV	W/P	CHG	ZONE				
260000	R	04	-	-		203529	JLZ	RVP	60			203529	JLZ	RVP	60
11FE02	R	05	-	-		204557	JOR	E0V	60			204557	JOR	E0V	60
15JUL03	R	06	-	-		242061	JYD	JYD	60			242061	JYD	JYD	60
05AUG03	R	06	AA	-		244343	LFS	RVP	60			244343	LFS	RVP	60
17NOV04	R	06	AB	-		261007	CJP	CJP	MB			261007	CJP	CJP	MB



- NOTES
- UNLESS OTHERWISE SPECIFIED AND/OR INDICATED: DIMENSIONS ARE TO FACE OF VIEW SHOWN AND AUTOMATICALLY ROUNDED BY COMPUTER FOR INSPECTION (SEE MATH MODEL FOR PRECISE DIMENSIONS). FOR ALL OTHER DIMENSIONS NOT SHOWN BUT REQUIRED FOR TOOL BUILD, SEE MATH MODEL FOR PRECISE TOOL PATH DATA.
 - MATING COMPONENTS OR EQUIVALENT: CONNECTOR 12047946
 - THIS TPA HAS A POSSIBLE RATTLE CONDITION. SPOT TAPE MAY BE ADDED TO TPA AND ADJACENT CABLES TO PREVENT RATTLE IN CUSTOMER SENSITIVE AREAS OF THE VEHICLE.
 - MATERIAL RECYCLING CODE PER ISO 11469. (2.3)X(0.1) CHARACTERS AS SHOWN TO BE LOCATED ON ANY EXTERIOR SURFACE.
 - (2.3)X(0.1) DELPHI CORPORATE BRAND TO BE LOCATED ON ANY EXTERIOR SURFACE, PREFERABLY VISIBLE AT FINAL ASSEMBLY. OPTIONAL CONSTRUCTION TO BE "PED".



OPTIONAL CONSTRUCTION

DELPHI
DELPHI PACKARD ELECTRIC SYSTEMS
WARREN, OH

DR	DATE
APV01 P. YABUR	27DE93
APV02 P. YABUR	27DE93
APV03 T. STEELE	10FE94
APV04	
APV05	

MATERIAL: M3592008 PA66 IM HS BLU

DRAWING NAME: LOCK TPA MIC/P 100 BLU

DRAWING NUMBER: 12047901

SIZE: A0 SCALE: 5:1 FRAME NO: 1 OF 1 SHEET NO: 1 OF 1 STG REV: R 06 AB

DWG TYPE: PART DRAWING

STYLE: 1.498

DISTR CODE: D

UNLESS OTHERWISE SPECIFIED THIS DOCUMENT IS IN ACCORDANCE WITH ASME Y14.5M-1994 AS AMENDED BY THE ON-SIGNAL DIMENSIONING AND TOLERANCING ADDENDUM-2003. SEPARATE PATTERNING OF FEATURES MAY BE GIVEN SEPARATELY REGARDLESS OF DATUM REFERENCES.

ALL DIMENSIONS ARE IN MILLIMETERS

REFERENCE: (18) PROCESS SENSITIVE DIMENSION DIMENSIONS ENCLOSED IN () INDICATE RETRIEVE DIMENSIONS AND NO TOLERANCE LIMITS ARE ESTABLISHED

DIMENSIONAL RANGE (MM)	TOLERANCE UNLESS OTHERWISE SPECIFIED	CHART ET
FROM > 0 TO > 20	> 0.10	1
> 20 TO > 30	> 0.15	2
> 30 TO > 40	> 0.20	3
> 40 TO > 50	> 0.25	4
> 50 TO > 60	> 0.30	5
> 60 TO > 70	> 0.35	6
> 70 TO > 80	> 0.40	7
> 80 TO > 90	> 0.45	8
> 90 TO > 100	> 0.50	9
> 100 TO > 150	> 0.63	10
> 150 TO > 200	> 0.80	11
> 200 TO > 250	> 1.00	12
> 250 TO > 300	> 1.25	13
> 300 TO > 400	> 1.60	14

THIRD ANGLE PROJECTION

DO NOT SCALE

USE MATH DATA

ANGULAR TOLERANCE: ±2°

Mouser Electronics

Authorized Distributor

Click to View Pricing, Inventory, Delivery & Lifecycle Information:

[Aptiv:](#)
[12047901](#)