

**CHARACTERISTICS**

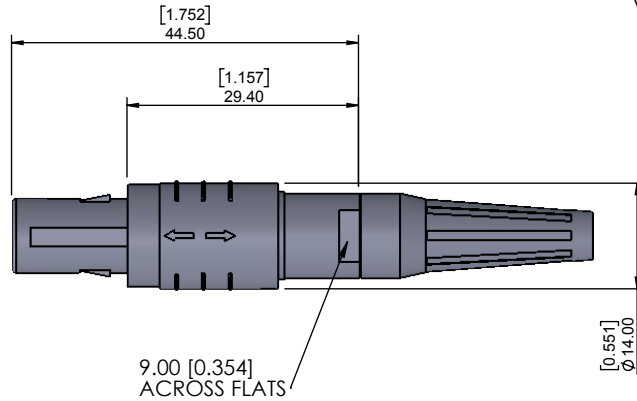
**MATERIALS**

HOUSING : ABS+PC  
 HOUSING COLOR : GREY  
 BOOT/SLEEVE : THERMOPLASTIC POLYURETHANE  
 CONTACTS : COPPER ALLOY  
 CONTACT PLATING : 7µ" GOLD PLATED OVER 196µ" NICKEL MIN.  
 INSULATOR : PPS (HIGH TEMPERATURE)

**MECHANICAL**

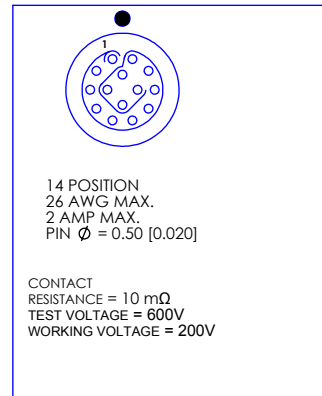
DURABILITY: 2000 CYCLES  
 OPERATING TEMP. RANGE: -20° C ~ +120° C  
 PROCESS TEMPERATURE : 260°C FOR 5 SECONDS  
 MAX. TORQUE VALUE: 0.5Nm [4.4 IN/LBS]

IP RATING: 50



**CHART B**

COLLET SIZE	WIRE DIAMETER
42	2.20 [0.087] ~ 4.00 [0.157]
52	4.00 [0.157] ~ 5.00 [0.197]
62	5.00 [0.197] ~ 6.00 [0.236]



**CHART A**

● = KEY LOCATION

\*\*VIEW FROM TERMINATION END\*\*

 2 POSITION 22 AWG MAX. 10 AMP MAX. PIN Ø = 1.30 [0.051]  CONTACT RESISTANCE = 5 mΩ TEST VOLTAGE = 1200V WORKING VOLTAGE = 400V	 3 POSITION 22 AWG MAX. 10 AMP MAX. PIN Ø = 1.30 [0.051]  CONTACT RESISTANCE = 5 mΩ TEST VOLTAGE = 1200V WORKING VOLTAGE = 400V	 4 POSITION 22 AWG MAX. 8 AMP MAX. PIN Ø = 0.90 [0.035]  CONTACT RESISTANCE = 6 mΩ TEST VOLTAGE = 1200V WORKING VOLTAGE = 400V	 5 POSITION 22 AWG MAX. 7 AMP MAX. PIN Ø = 0.90 [0.035]  CONTACT RESISTANCE = 6 mΩ TEST VOLTAGE = 1050V WORKING VOLTAGE = 350V	 6 POSITION 24 AWG MAX. 6 AMP MAX. PIN Ø = 0.70 [0.028]  CONTACT RESISTANCE = 7.5 mΩ TEST VOLTAGE = 1050V WORKING VOLTAGE = 350V	 7 POSITION 24 AWG MAX. 5 AMP MAX. PIN Ø = 0.70 [0.028]  CONTACT RESISTANCE = 7.5 mΩ TEST VOLTAGE = 1050V WORKING VOLTAGE = 350V	 8 POSITION 24 AWG MAX. 5 AMP MAX. PIN Ø = 0.70 [0.028]  CONTACT RESISTANCE = 7.5 mΩ TEST VOLTAGE = 1050V WORKING VOLTAGE = 350V	 9 POSITION 26 AWG MAX. 3 AMP MAX. PIN Ø = 0.50 [0.020]  CONTACT RESISTANCE = 10 mΩ TEST VOLTAGE = 850V WORKING VOLTAGE = 280V	 10 POSITION 26 AWG MAX. 3 AMP MAX. PIN Ø = 0.50 [0.020]  CONTACT RESISTANCE = 10 mΩ TEST VOLTAGE = 850V WORKING VOLTAGE = 280V
---	---	--	--	--	--	--	--	---

**RoHS COMPLIANT**



THESE DRAWINGS AND SPECIFICATIONS ARE THE PROPERTY OF NorComp AND SHALL NOT BE REPRODUCED, COPIED OR USED AS THE BASIS FOR THE MANUFACTURE OR SALE OF APPARATUS WITHOUT WRITTEN PERMISSION.

**NorComp**

DRAWN: M. SIGMON	DATE: 10-04-16	SCALE: N.T.S.	SHEET 1 OF 1	REV: 2
DWG NO. 8P1PYYY17BYLYY1				

# Mouser Electronics

Authorized Distributor

Click to View Pricing, Inventory, Delivery & Lifecycle Information:

## NorComp:

<a href="#"><u>8P1P00817BNL621</u></a>	<a href="#"><u>8P1P01417BJL421</u></a>	<a href="#"><u>8P1P01417BRL421</u></a>	<a href="#"><u>8P1P00717BVL621</u></a>	<a href="#"><u>8P1P00217BJL621</u></a>
<a href="#"><u>8P1P00217BGL521</u></a>	<a href="#"><u>8P1P00517BJL521</u></a>	<a href="#"><u>8P1P00917BVL421</u></a>	<a href="#"><u>8P1P00517BGL621</u></a>	<a href="#"><u>8P1P00617BNL621</u></a>
<a href="#"><u>8P1P00417BVL521</u></a>	<a href="#"><u>8P1P00317BAL421</u></a>	<a href="#"><u>8P1P00617BNL421</u></a>	<a href="#"><u>8P1P00517BRL421</u></a>	<a href="#"><u>8P1P00817BVL621</u></a>
<a href="#"><u>8P1P00217BJL521</u></a>	<a href="#"><u>8P1P00517BGL421</u></a>	<a href="#"><u>8P1P00817BRL421</u></a>	<a href="#"><u>8P1P00417BNL621</u></a>	<a href="#"><u>8P1P00617BVL521</u></a>
<a href="#"><u>8P1P00517BRL621</u></a>	<a href="#"><u>8P1P01017BAL521</u></a>	<a href="#"><u>8P1P00917BNL521</u></a>	<a href="#"><u>8P1P00817BAL421</u></a>	<a href="#"><u>8P1P01417BRL521</u></a>
<a href="#"><u>8P1P00517BAL421</u></a>	<a href="#"><u>8P1P00917BGL621</u></a>	<a href="#"><u>8P1P00717BJL521</u></a>	<a href="#"><u>8P1P01417BNL521</u></a>	<a href="#"><u>8P1P00517BVL421</u></a>
<a href="#"><u>8P1P00917BVL621</u></a>	<a href="#"><u>8P1P00317BRL521</u></a>	<a href="#"><u>8P1P00217BRL621</u></a>	<a href="#"><u>8P1P00317BAL621</u></a>	<a href="#"><u>8P1P00817BGL621</u></a>
<a href="#"><u>8P1P00517BNL421</u></a>	<a href="#"><u>8P1P00717BRL621</u></a>	<a href="#"><u>8P1P00817BAL621</u></a>	<a href="#"><u>8P1P00417BAL421</u></a>	<a href="#"><u>8P1P01017BNL621</u></a>
<a href="#"><u>8P1P00717BNL621</u></a>	<a href="#"><u>8P1P00617BRL621</u></a>	<a href="#"><u>8P1P00817BVL421</u></a>	<a href="#"><u>8P1P00617BAL421</u></a>	<a href="#"><u>8P1P00417BAL621</u></a>
<a href="#"><u>8P1P01017BNL421</u></a>	<a href="#"><u>8P1P00617BGL421</u></a>	<a href="#"><u>8P1P00917BRL421</u></a>	<a href="#"><u>8P1P01017BJL621</u></a>	<a href="#"><u>8P1P00717BNL421</u></a>
<a href="#"><u>8P1P01417BGL421</u></a>	<a href="#"><u>8P1P00917BAL621</u></a>	<a href="#"><u>8P1P00417BNL421</u></a>	<a href="#"><u>8P1P00917BGL421</u></a>	<a href="#"><u>8P1P00317BJL521</u></a>
<a href="#"><u>8P1P01417BAL621</u></a>	<a href="#"><u>8P1P00317BVL621</u></a>	<a href="#"><u>8P1P00717BVL521</u></a>	<a href="#"><u>8P1P01017BJL421</u></a>	<a href="#"><u>8P1P00417BRL421</u></a>
<a href="#"><u>8P1P00817BNL421</u></a>	<a href="#"><u>8P1P00317BVL421</u></a>	<a href="#"><u>8P1P00217BVL421</u></a>	<a href="#"><u>8P1P01417BGL521</u></a>	<a href="#"><u>8P1P00817BAL521</u></a>
<a href="#"><u>8P1P01017BAL421</u></a>	<a href="#"><u>8P1P00217BNL621</u></a>	<a href="#"><u>8P1P00617BGL621</u></a>	<a href="#"><u>8P1P00717BVL421</u></a>	<a href="#"><u>8P1P00317BNL521</u></a>
<a href="#"><u>8P1P00217BAL621</u></a>	<a href="#"><u>8P1P00317BNL621</u></a>	<a href="#"><u>8P1P00417BGL621</u></a>	<a href="#"><u>8P1P00417BVL621</u></a>	<a href="#"><u>8P1P01417BJL521</u></a>
<a href="#"><u>8P1P00417BGL421</u></a>	<a href="#"><u>8P1P00217BRL421</u></a>	<a href="#"><u>8P1P00417BRL521</u></a>	<a href="#"><u>8P1P00617BJL621</u></a>	<a href="#"><u>8P1P00717BRL421</u></a>
<a href="#"><u>8P1P01417BVL621</u></a>	<a href="#"><u>8P1P01017BVL521</u></a>	<a href="#"><u>8P1P00517BAL621</u></a>	<a href="#"><u>8P1P00717BGL621</u></a>	<a href="#"><u>8P1P01017BGL421</u></a>
<a href="#"><u>8P1P00517BRL521</u></a>	<a href="#"><u>8P1P00217BVL521</u></a>	<a href="#"><u>8P1P00617BRL421</u></a>	<a href="#"><u>8P1P00817BRL621</u></a>	<a href="#"><u>8P1P01017BGL521</u></a>
<a href="#"><u>8P1P00717BGL421</u></a>	<a href="#"><u>8P1P00917BVL521</u></a>	<a href="#"><u>8P1P00417BVL421</u></a>	<a href="#"><u>8P1P00917BJL621</u></a>	<a href="#"><u>8P1P00217BGL621</u></a>
<a href="#"><u>8P1P00617BJL421</u></a>	<a href="#"><u>8P1P01417BRL621</u></a>	<a href="#"><u>8P1P00217BGL421</u></a>	<a href="#"><u>8P1P00217BAL421</u></a>	<a href="#"><u>8P1P01417BNL621</u></a>