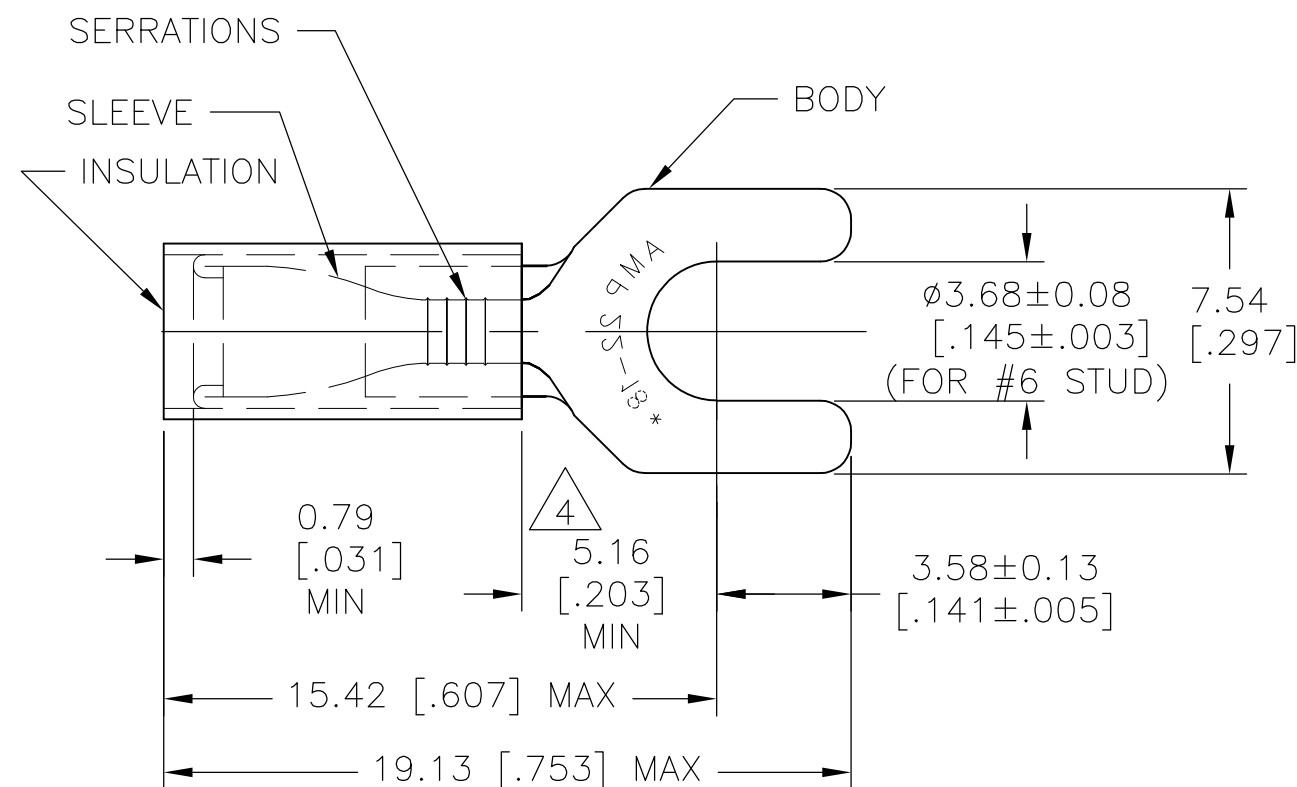


THIS DRAWING IS UNPUBLISHED. RELEASED FOR PUBLICATION  
 © COPYRIGHT - By - ALL RIGHTS RESERVED.

LOC	DIST	REVISIONS					
		P	LTR	DESCRIPTION	DATE	DWN	APVD
G	14		G2	REVISED PER ECO-11-004820	11MAR11	RK	HMR

QTY	DESCRIPTION	PART NO
100	LOOSE PIECE, BOX	8-34080-1



- 1 WIRE INSULATION DIA IS 2.03-3.18 [.080-.125].
  - 2 TONGUE MATERIAL THICKNESS = 0.79±0.05 [.031±.002]
  - 3 MARKING 22-18 FOR MILITARY COMMERCIAL RANGE 22-16
- △ 4 APPLIES FROM METAL EDGE OF BARREL TO CENTER OF STUD.

QTY	DESCRIPTION	MATERIAL & FINISH	PART NO
1	34080 ON TAPE	BODY: COPPER (ASTM-B152) TIN PL (ASTM-B545)	2-34080-1
1	WIRE TERMINAL	SLEEVE: COPPER (ASTM-B152) TIN PL (ASTM-B545) INSULATION: NYLON COLOR: RED	34080

<b>CUSTOMER SERVICE SYSTEMS</b>		MAX RECOMMENDED OPERATING TEMPERATURE: 105°C [221° F]
FOR ADDITIONAL PRODUCT INFORMATION OR COPIES OF DRAWINGS AND TECHNICAL DOCUMENTS	PRODUCT INFORMATION CENTER 1-800-522-6752	VOLTAGE RATING: 300V MAX
FOR APPLICATION TOOLING INFORMATION	TOOLING ASSISTANCE CENTER 1-800-722-1111	CIRCULAR MIL AREA: 1.04-2.62mm² [2,050-5,180] SOLID OR STRANDED
FOR ORDER ENTRY	1-800-526-5142	THIS DRAWING IS A CONTROLLED DOCUMENT FOR AMP INCORPORATED. IT IS SUBJECT TO CHANGE AND THE CONTROLLING ENGINEERING ORGANIZATION SHOULD BE CONTACTED FOR THE LATEST REVISION.

THIS DRAWING IS A CONTROLLED DOCUMENT.	
DIMENSIONS: mm [INCHES]	TOLERANCES UNLESS OTHERWISE SPECIFIED:
	0 PLC ± - 1 PLC ± - 2 PLC ± - 3 PLC ± 0.20 [.008] 4 PLC ± - ANGLES ± .5°
MATERIAL SEE TABLE	FINISH SEE TABLE

DWN RAGHAVENDRA 03JUL09	<b>STE</b> TE Connectivity			
CHK JEFF RUTH 03JUL09				
APVD JEFF RUTH 03JUL09	NAME			
PRODUCT SPEC	WIRE-TERMINAL PIDG-SPADE WIRE SIZE: 22-16			
APPLICATION SPEC	SIZE	CAGE CODE	DRAWING NO	RESTRICTED TO
WEIGHT -	A3	00779	C-34080	-
CUSTOMER DRAWING		SCALE 5:1	SHEET 1 OF 1	REV G2

# Mouser Electronics

Authorized Distributor

Click to View Pricing, Inventory, Delivery & Lifecycle Information:

[TE Connectivity:](#)

[2-34080-1](#)