

EM2505 Series
EuroMag Terminal Blocks
 5.08 Centers; Modular

SPECIFICATIONS

Rating: 16A, 300V

Center Spacing: 0.20" (5.08mm)

Wire Range: #12-26 AWG

Housing Material: UL rated 94V0 Thermoplastic

Contact Material: Brass Tin-Plated

Screw Size: M2.6 Zinc-Plated Steel

Operating Temperature: 105°C (221°F) max., -40°C (-40°F) min.

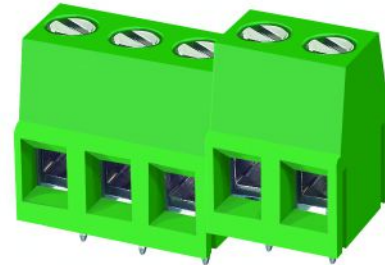
Torque Rating: 5.0 lb-in.

Recommended PCB Hole Diameters: 0.055" (1.40mm)

Construction: Modular design features dovetails for interlocking to achieve longer lengths

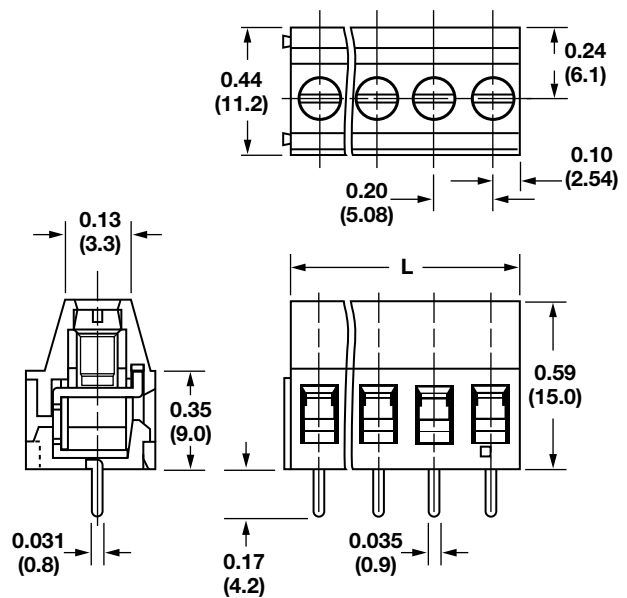
Connector Style: Rising Cage and Screw

Agency Information: File E62622; CE Certified



EM250505V

Dimensions - in (mm)

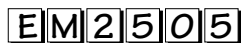


Position	L (mm)	Position	L (mm)
02	10.16	14	71.12
03	15.24	15	76.20
04	20.32	16	81.28
05	25.40	17	86.36
06	30.48	18	91.44
07	35.56	19	96.52
08	40.64	20	101.60
09	45.72	21	106.68
10	50.80	22	111.76
11	55.88	23	116.84
12	60.96	24	121.92
13	66.04		

To convert to inches, divide by 25.4

Part Numbering System

Series



of Positions



02 to 24

Orientation



V - vertical

Terminal Blocks:
Single Row

EuroMag Series
Cage & Screw

Edge Connectors,
One-Sided Boards

Compliance
References

Mouser Electronics

Authorized Distributor

Click to View Pricing, Inventory, Delivery & Lifecycle Information:

Eaton:

[EM250502V](#) [EM250503V](#) [EM250504V](#) [EM250505V](#) [EM250507V](#) [EM250508V](#) [EM250520V](#) [EM250518V](#)
[EM250524V](#) [EM250511V](#) [EM250510V](#) [EM250515V](#) [EM250523V](#) [EM250509V](#) [EM250522V](#) [EM250517V](#)
[EM250513V](#) [EM250512V](#) [EM250514V](#) [EM250516V](#) [EM250506V](#) [EM250519V](#) [EM250521V](#)