

Media: air – water – gas – oil
 Pressure range: 0 to 10 bar max
 Media temperature: -15°C +90°C max
 Ambient temperature: -20°C to +45°C
 Media viscosity: 500 centistokes max
 Mounting: Any
 Seals: PTFE

Actuated Ball Valve

3/8 – 1
 Auto Failsafe Closed
 2 WAY DIRECT
 0 – 10 Bar
 TYPE CWX



PRESSURE

Ø Port BSP	Orifice	Kg	Cycle Life	Torque	Max Opening Time Seconds	Max Closing Time Seconds	Voltage AC or DC	Part Number
1/2	15	0.367	100,000+	2 Nm	3	3	9 to 24v	CWX15Q-12-9-CR04
							110 to 250v	CWX15Q-12-240-CR04
3/4	20	0.403	100,000+	2 Nm	5	5	9 to 24v	CWX15N-34-9-CR04
							110 to 250v	CWX15N-34-240-CR04
1	25	0.536	100,000+	2 Nm	5	5	9 to 24v	CWX15N-1-9-CR04
							110 to 250v	CWX15N-1-240-CR04

OPTIONS

3 to 6 volt, position switch, signal feedback, manual Over Ride, Visual Position Indicator, 316 Stainless Steel Valve, N Normal Acting or Q Quick Acting, Normally Open

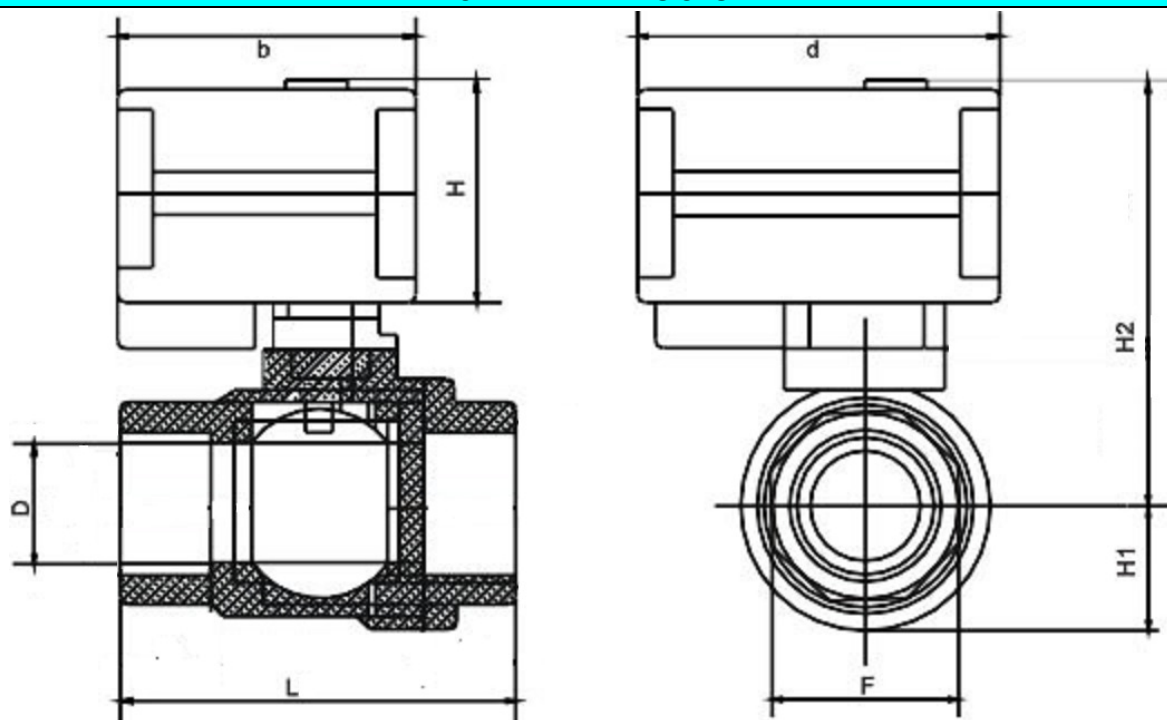
ELECTRICAL DATA

Voltage Min - Max Continuous duty 100%		Actuator	Power	Enclosure	Electrical connections
9 to 27 volts AC	85 to 265 volts AC/DC	CWX-15	5 Watts	IP65	2 lead wires 0.5 meter

CONSTRUCTION

Valve Body: 304 stainless steel, Optional Brass or 316 stainless steel
 CR2 Actuator: Engineering Plastic

OVERALL DIMENSIONS



Port	D	L	F	H1	H2	H	d	b
1/2	15	55	26	17	75	50	68	52
3/4	15	63	30	17	75	50	68	52
1	20	75	38	22	78	50	68	52