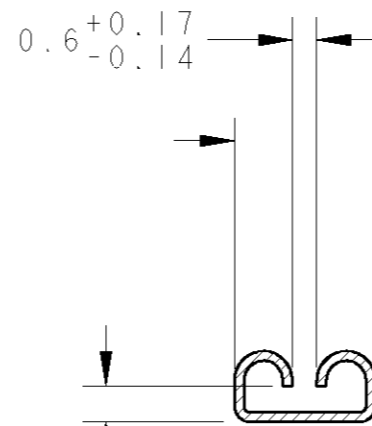
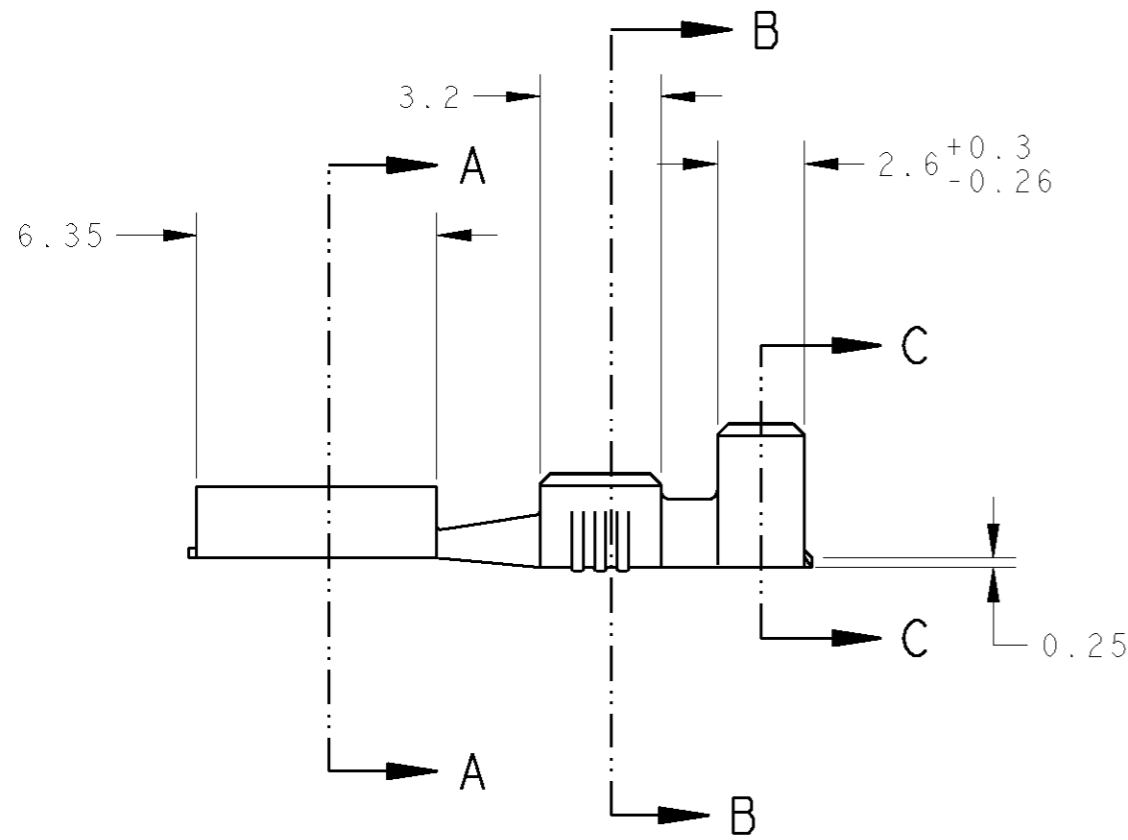
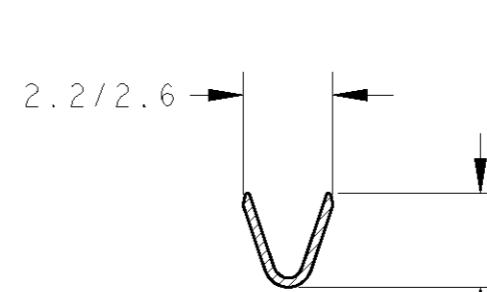


THIS DRAWING IS UNPUBLISHED.  
 DIFFUSION RESTREINTE AMP  
 © COPYRIGHT 20 BY TYCO ELECTRONICS CORPORATION. ALL RIGHTS RESERVED.  
 LIBRE A LA DIFFUSION 20 TOUS DROITS RESERVES

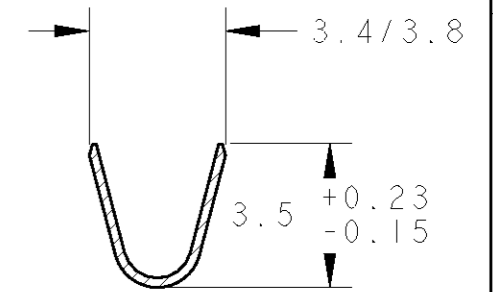
LOC	DIST	REVISIONS				
P	LTR REV	DESCRIPTION MODIFICATIONS	DATE	DWN DESS.	APVD APP.	
F	7	P	REDESSINE	03APR2001	VF	GR
		R	UP DATED (EC EROO 0068 04)	16FEB2004	GR	GR
		S	Coupe CC, 3.5/3.8 était 3.81	30NOV2004	GR	GR



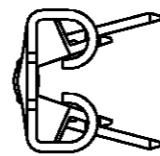
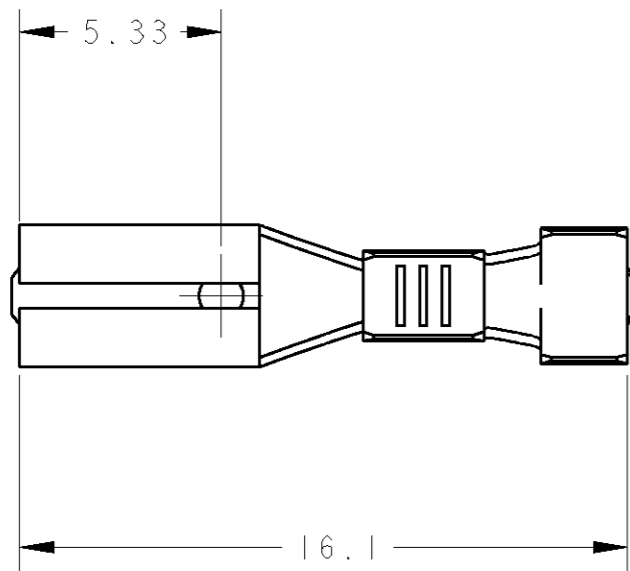
Entre fer pour languette 2.8 x 0.5  
 (Gap for tab 2.8 x 0.5 series)  
 COUPE A-A



COUPE B-B



COUPE C-C



1.5 2.5	0.3 1	0.5	DORE	LAITON	141286-3	140719-3	140717-4
1.5 2.5	0.3 1	0.5	ARGENTE	LAITON	-	140719-4	140717-3
1.5 2.5	0.3 1	0.5	PRE-ETAME	LAITON	141286-2	140719-2	140717-2
1.5 2.5	0.3 1	0.5	BRUT	LAITON	141286-1	140719-1	140717-1
DIA. ISOLANT	SECTION mm <sup>2</sup>	Ep. TAB	FINITION	MATIERE	REFERENCE VRAC PREFORME	REFERENCE VRAC	REFERENCE

1 PRODUIT LIVRE EN BANDE: PAS 17.9±0.1  
 CONTINUOUS STRIP ON REEL: FEED 17.9±0.1

THIS DRAWING IS A CONTROLLED DOCUMENT FOR TYCO ELECTRONICS CORPORATION IT IS SUBJECT TO CHANGE AND THE CONTROLLING ENGINEERING ORGANIZATION SHOULD BE CONTACTED FOR THE LATEST REVISION. CE PLAN EST UN DOCUMENT CONTROLE PAR AMP INCORPORATED. IL EST SUSCEPTIBLE D'ETRE REVISE. CONTACTER LE SERVICE TECHNIQUE D'AMP DE FRANCE POUR OBTENIR LA DERNIERE REVISION.		DWN/DESSINE 27MAR2001 C. COMBEDOUZON CHK/VERIFIE 02APR2001 V. FONDREVELLE APVD/APPROUVE 02APR2001 G. ROBERT		TYCO ELECTRONICS France SAS BP 39, 95301 CERGY-PONTOISE Cedex	
DIMENSIONS: mm 		TOLERANCES UNLESS OTHERWISE SPECIFIED: TOLERANCES NON SPECIFIEES (SILLY NR DE DECIMALES): ± ±0.13 ± ±		NAME/TITRE 110 SERIES FASTON RECEPTACLE	
MATERIAL/MATIERE v.table		FINISH/FINITION v.table		PRODUCT SPEC SPEC. PRODUIT APPLICATION SPEC SPEC. APPLICATION 114-35000	
		WEIGHT/MASSE APPROX. -		SIZE FORMAT A3 CAGE CODE 00779 DRAWING NO No. PLAN C=140717	
CUSTOMER DRAWING /PLAN CLIENT				UNIQUEMENT POUR REFERENCE SCALE/ECHELLE 5:1 SHEET/FEUILLE OF/DE REV S	