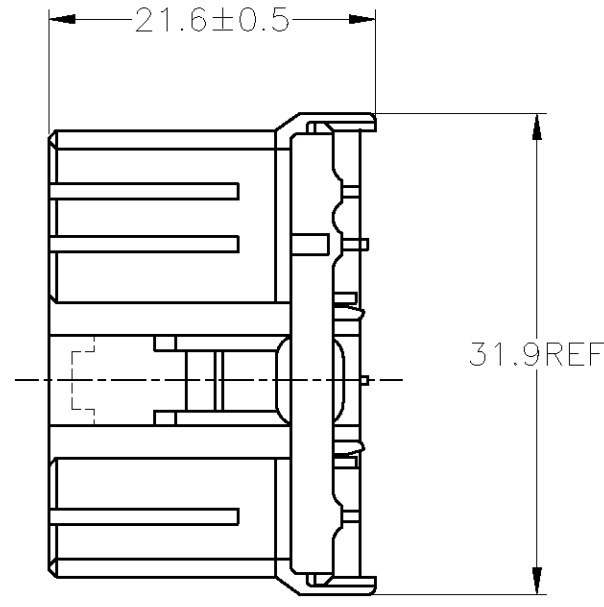
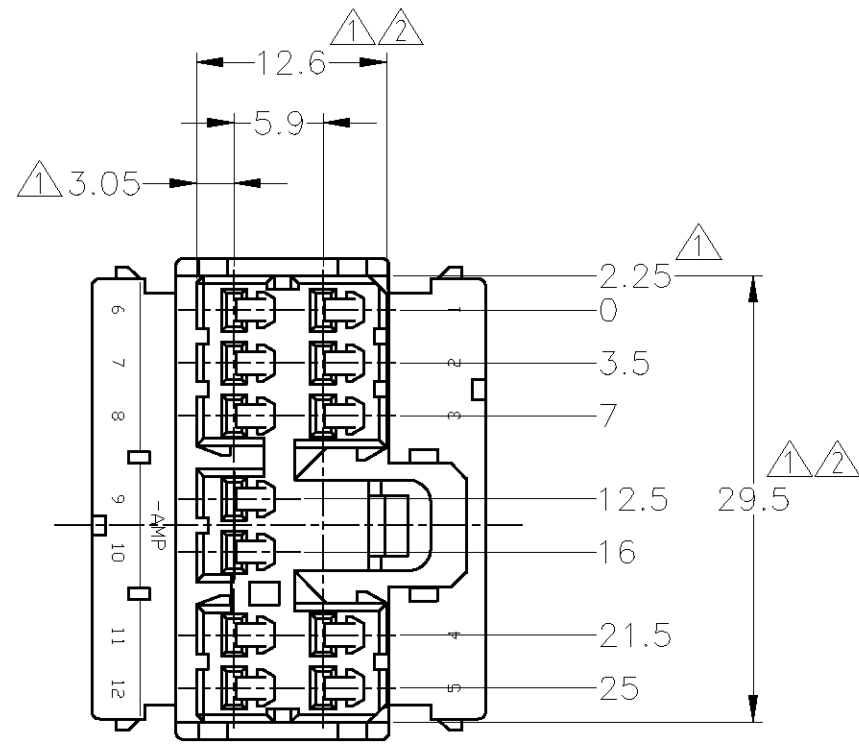


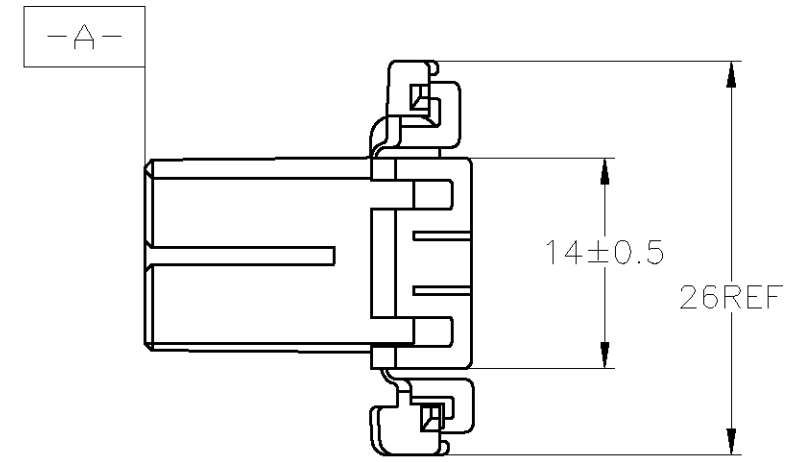
THIS DRAWING IS UNPUBLISHED. RELEASED FOR PUBLICATION
 © COPYRIGHT - By - ALL RIGHTS RESERVED.

LOC	DIST	REVISIONS					
		P	LTR	DESCRIPTION	DATE	DWN	APVD
J	-	E1		REDRAWN W/CHANGE	ECR-12-021403	13DEC2012	TS KB



△ MUST BE KEPT BETWEEN [-A-] AND 2
 △ TO BE MATED WITH THE CAP HOUSING SMOOTHLY
 3. APPLIED CONTACT PART NUMBER; 173630 AND 173631

△ [-A-] 面より2mmの範囲で測定
 △ 相手ハウジングと所定の機能を満足して嵌合できること
 3. 内装するリセプタクルコンタクト型番173630 及び 173631



V-2	自然色 (NATURAL)	1-173851-1
HB	オレンジ (ORANGE)	173851-8
	灰 (GRAY)	173851-6
	青 (BLUE)	173851-5
	緑 (GREEN)	173851-4
	黒 (BLACK)	173851-2
	自然色 (NATURAL)	173851-1
使用材料難燃グレード (FLAMMABILITY OF MATERIAL)		色 (COLOR)
		型番 (PART NUMBER)

THIS DRAWING IS A CONTROLLED DOCUMENT.

DWN T.SHINOHARA 13DEC2012	TE Connectivity
CHK K.BETSUI 13DEC2012	
APVD K.BUTSUI 13DEC2012	NAME 名称
PRODUCT SPEC 製品規格 108-5216,5264	070 SERIES MULTI-LOCK CONNECTOR 12POSITION PLUG HOUSING
APPLICATION SPEC 取付適用規格	SIZE A3 CAGE CODE 00779 DRAWING NO. C-173851 RESTRICTED TO
WEIGHT -	SCALE 2:1 SHEET 1 OF 1 REV E1

CUSTOMER DRAWING

TOLERANCES UNLESS OTHERWISE SPECIFIED: 一般公差

10 _±	: ±0.2
30 _±	> 10 : ±0.25
100 _±	> 30 : ±0.3
ANGLE	: ±3°

DIMENSIONS: 単位: 耗 mm	TOLERANCES UNLESS OTHERWISE SPECIFIED: 一般公差
	0 PLC ±-
	1 PLC ±-
	2 PLC ±-
	3 PLC ±-
	4 PLC ±-
	ANGLES ±-
MATERIAL 材料 PBT	FINISH 仕上 -

Mouser Electronics

Authorized Distributor

Click to View Pricing, Inventory, Delivery & Lifecycle Information:

[TE Connectivity:](#)

[173851-1](#)