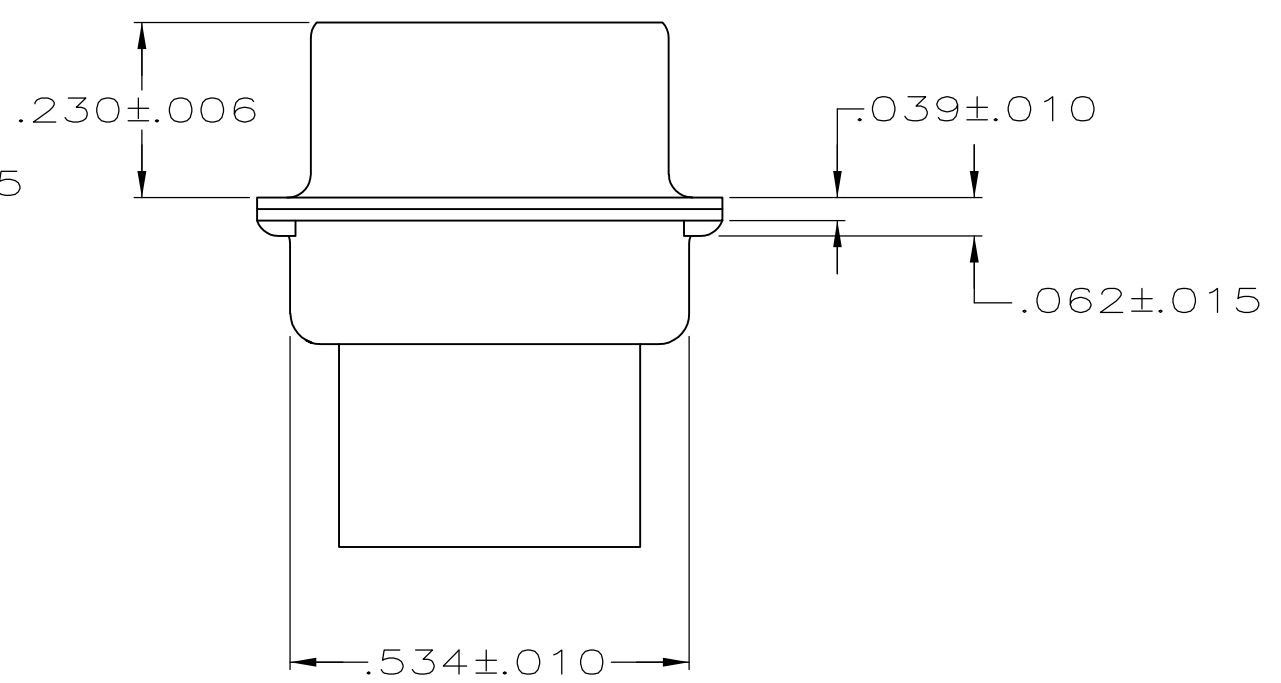
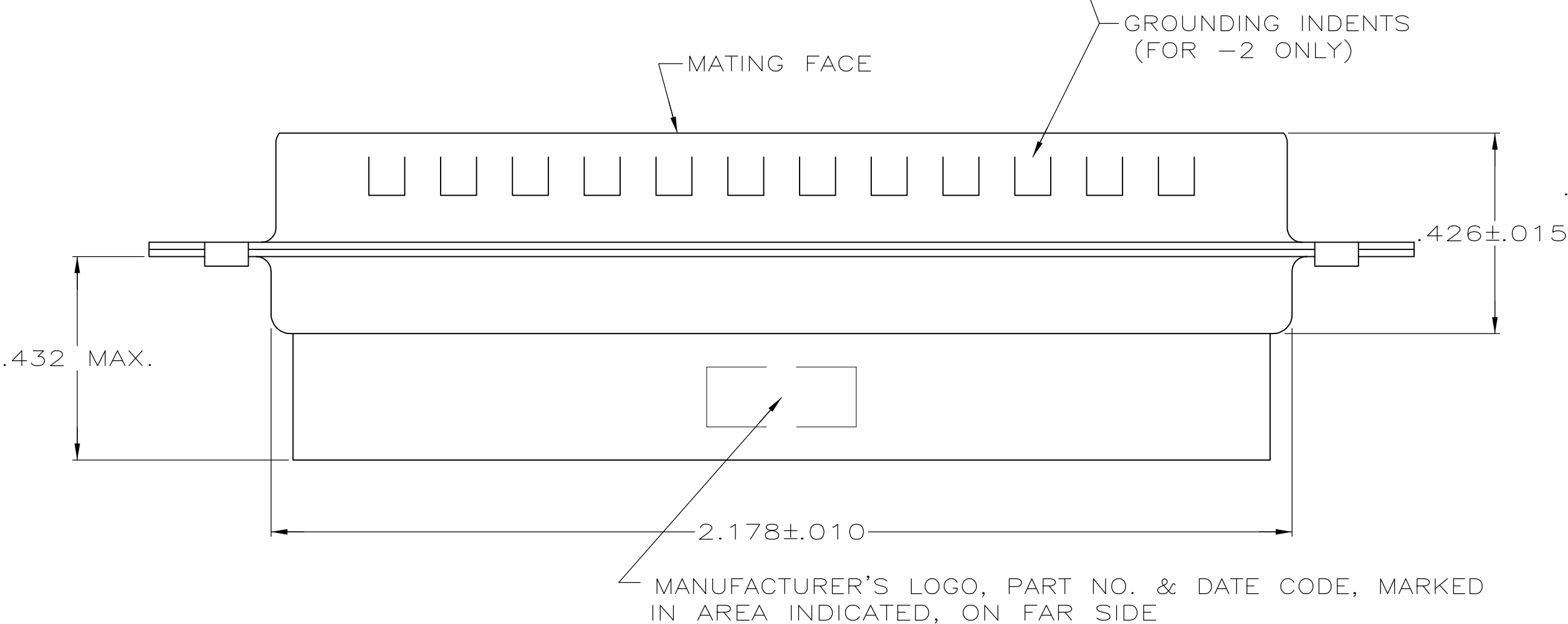
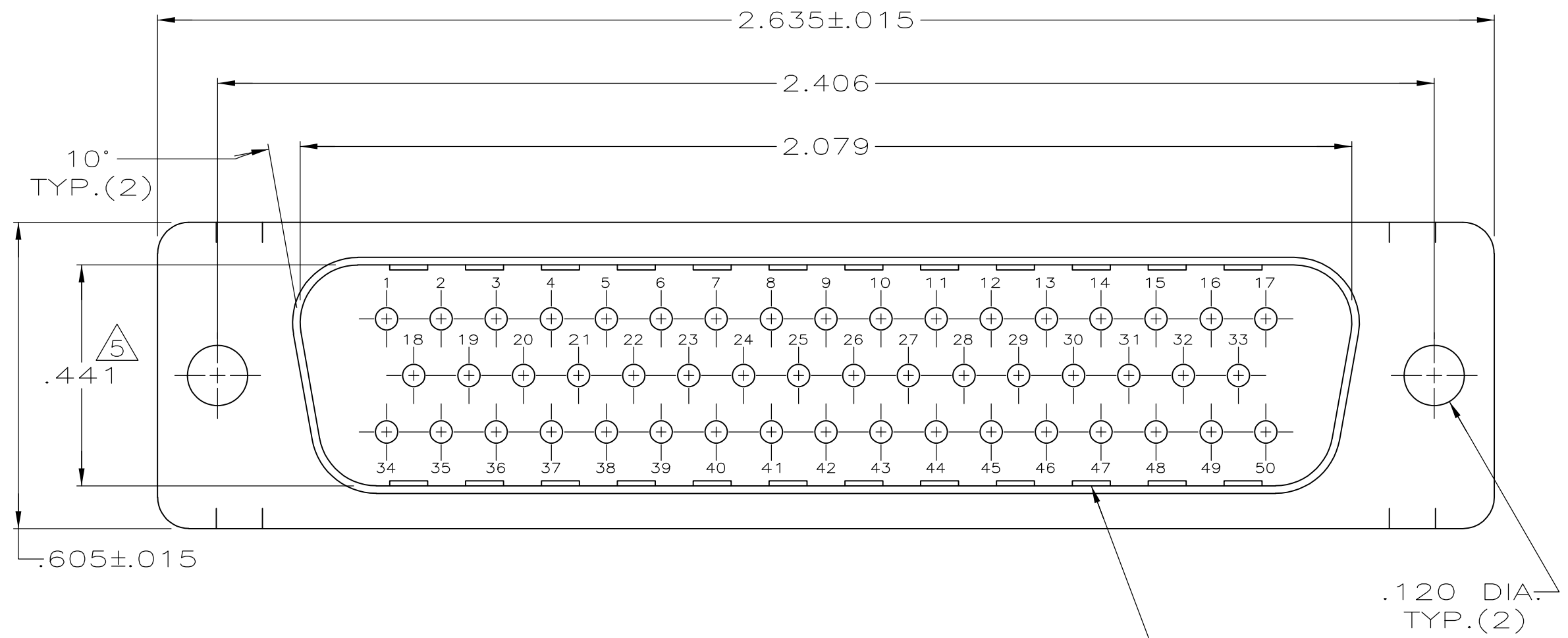


THIS DRAWING IS UNPUBLISHED. RELEASED FOR PUBLICATION
 © COPYRIGHT - By - ALL RIGHTS RESERVED.

LOC	DIST	REVISIONS					
GP	00	P	LTR	DESCRIPTION	DATE	DWN	APVD
		E		REVISED PER ECO-14-011808	09AUG2014	AP	SB



- 1 CONNECTOR ACCEPTS SIZE 20 DF PIN CONTACTS, RETENTION TINES ARE AN INTEGRAL PART OF INSERT.
- 2 MATERIAL: MOLDED PARTS - GLASS-FILLED PBT OR GLASS-FILLED NYLON, UL94V-0 RATED. COLOR: BLACK SHELLS - STEEL PER ASTM A109.
- 3 FINISH: SHELL - .000200 MIN TIN PLATE OVER .000100 MIN COPPER UNDERPLATE.
- 4 FINISH: SHELL - ZINC PLATED .000200-.000400 THICK, YELLOW CHROMATE COATING.
- 5 THIS DIMENSION IS $.441 \pm 0.010$ FOR -2.

STANDARD	4	NO	1658641-3
STANDARD	3	YES	1658641-2
STANDARD	3	NO	1658641-1
PACKAGING TYPE	FINISH	GROUNDING INDENTS	PART NO.

THIS DRAWING IS A CONTROLLED DOCUMENT.		DWN	J.REITZEL	29JUL03		TE Connectivity		
DIMENSIONS: INCHES		CHK	S.BOLASH	29JUL03		NAME		
TOLERANCES UNLESS OTHERWISE SPECIFIED:		APVD	M.WALMSLEY	29JUL03		PLUG CONNECTOR, SIZE 5, 50 POS., AMPLIMITE™ HDP		
0 PLC ± - 1 PLC ± - 2 PLC ± - 3 PLC ± .005 4 PLC ± - ANGLES ± 2° FINISH SEE TABLE		PRODUCT SPEC	108-40005	APPLICATION SPEC		114-40030	SIZE	A2
MATERIAL	2	WEIGHT	-	CAGE CODE	00779	DRAWING NO	C=1658641	
		CUSTOMER DRAWING	SCALE	4:1	SHEET	1 of 1	REV	

1658641

Mouser Electronics

Authorized Distributor

Click to View Pricing, Inventory, Delivery & Lifecycle Information:

[TE Connectivity:](#)

[1658641-2](#)