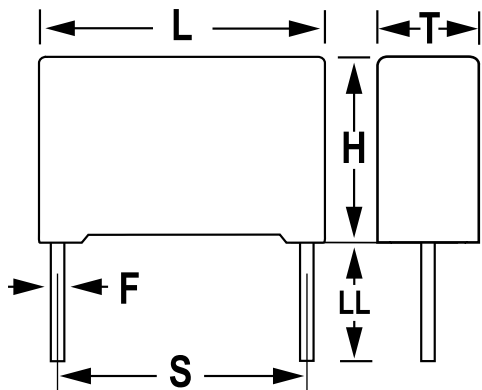


KEMET Part Number: MMK22.5475K63D13L4TRAY
(F601DD475K063C, MMK22,5475K63D13L4TRAY)

MMK/F601, Film, Metallized Polyester, General Purpose, 4.7 uF, 10%, 63 VDC, 85°C, Lead Spacing = 22.5mm



General Information	
Supplier:	KEMET
Series:	MMK/F601
Dielectric:	Metallized Polyester
Style:	Radial
Features:	DC Multipurpose Applications
RoHS:	Yes
Lead:	Wire Leads
Notes:	Not For New Design, Please Check Possible Alternative Parts (AltPart)

Dimensions	
L	26mm MAX
H	14.5mm MAX
T	6.5mm MAX
S	22.5mm +/-0.4mm
LL	5mm NOM
F	0.8mm NOM

Specifications	
Capacitance:	4.7 uF
Capacitance Tolerance:	10%
Voltage AC:	40 VAC
Voltage DC:	63 VDC, 48.8 VDC (100C)
Temperature Range:	-55/+100C
Rated Temperature:	85°C
Dissipation Factor:	1.00% 1kHz
Insulation Resistance:	1.0638 GOhms
Max dV/dt:	3 V/us
Inductance:	6 nH

Packaging Specifications	
Packaging:	Bulk, Tray
Packaging Quantity:	234