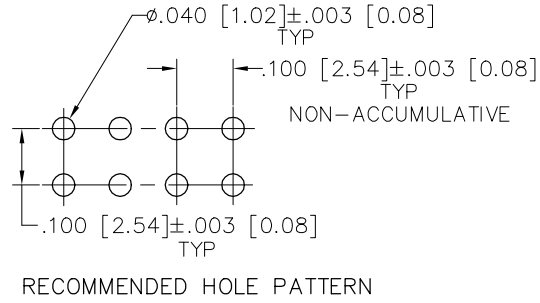
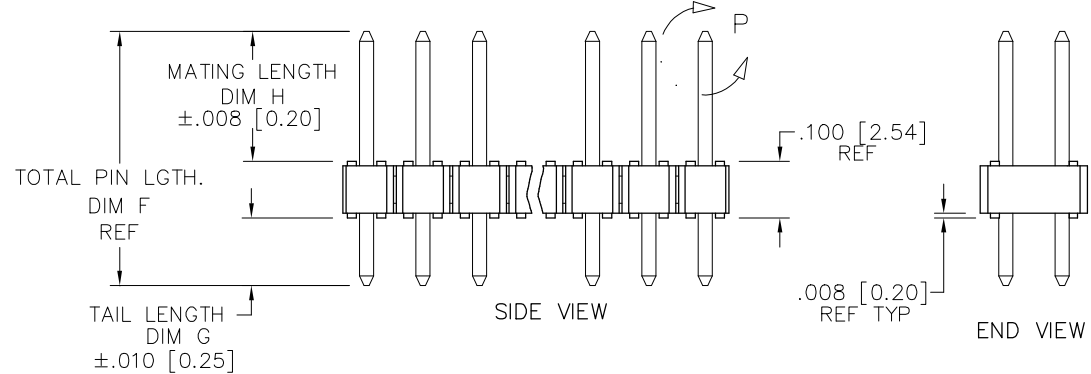
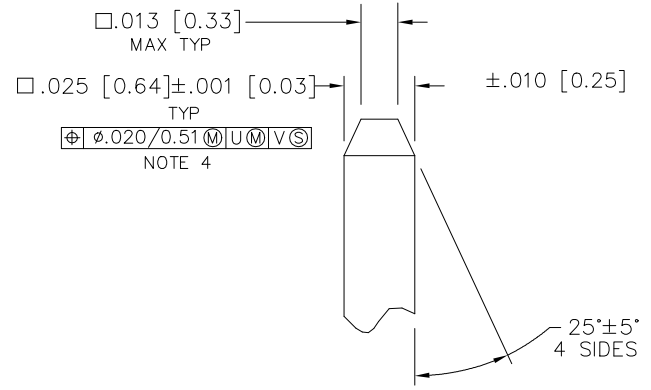
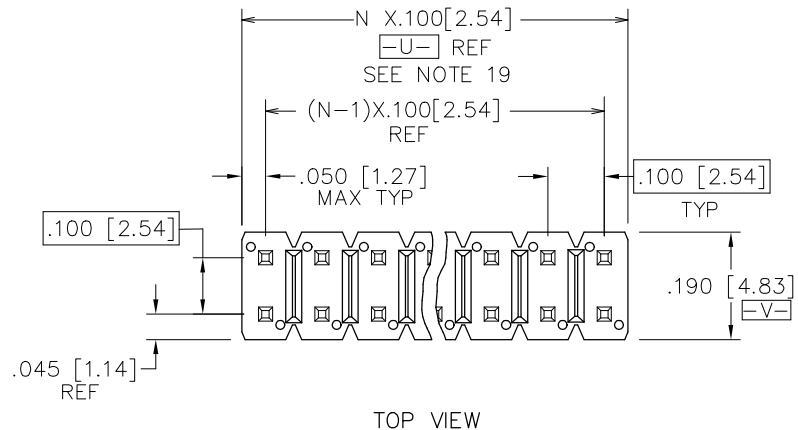


PRODUCT NUMBER
 XXXXX-YYY X X XF

- GREEN OPTION
SEE NOTE 1,13
- PACKAGE OPTION
SEE NOTE 1 OR 10 OR 20
- HIGH TEMPERATURE PLASTIC
SEE NOTE 1
- NO OF POSITIONS
SEE NOTE 1
- PIN PLATING
SEE SHEET 2
- BASE PART NO.
SEE SHEET 4 TO 8

67996-X XX XXX XXX X XF

- GREEN OPTION
(SEE NOTE 1,13)
- PACKAGE
(SEE NOTE 20)
- TAIL LENGTH (EXAMPLE BELOW)
3.0mm=030 12.8mm=128
(SEE NOTE 16 & 17)
- MATING LENGTH (EXAMPLE BELOW)
5.0mm=050 25.5mm=255
(SEE NOTE 16 & 17)
- TOTAL NUMBER OF POSITIONS
FROM 2 (2X1) THRU 72 (2X36) POS.
- PIN PLATING (SEE NOTE 14)
1=0.76µm Au
4= PURE TIN
8=0.36µm Au
- BASE PART NO.
DOUBLE ROW



NOTE 6

DETAIL P
 SCALE 5:1
 TYP BOTH ENDS

mat'l. code SEE NOTES 1 & 2		surface ISO 1302 ✓	tolerance ISO 406 ISO 1101	projection INCH/MM	product family BERGSTIK
ltr	ecn no	dr	date	title BERGSTIK II HEADER D/R	
DF	N11-0180	J.Z	2011-05-31	.100/2.54cc STRAIGHT	
DG	ELX-N-13471	J.Z	2011-11-16	scale 2:1	
DH	ELX-N-16105	ZK	2013-10-22	sheet 1 of 8	
DJ	ELX-N-37975	MKX	2020-8-11	size A3	
DK	ELX-N-38872	MKX	2020-11-04	67996	
appd T.HANNA 07/21/99				type Product Customer Drawing	
sheet index	revision sheet	DJ	1-8		

PIN PLATING CODES:

XXXX-1YY	30u"/0.76u MIN (SEE NOTE 14) OVER 50u"/1.27u MIN Ni
XXXX-2YY	15u"/0.38u MIN (SEE NOTE 14) OVER 50u"/1.27u MIN Ni
XXXX-3YY	50u"/1.27u MIN (SEE NOTE 14) OVER 50u"/1.27u MIN Ni
XXXX-4YY	100u"/2.54u MIN Sn OVER 50u"/1.27u MIN Ni (SEE NOTE 15)
XXXX-4YYHLF	
XXXX-5YY	15u"/0.38u MIN (SEE NOTE 14) OVER 50u"/1.27u MIN Ni
XXXX-6YY	30u"/0.76u MIN (SEE NOTE 14) OVER 50u"/1.27u MIN Ni
XXXX-7YY	30u"/0.76u MIN (SEE NOTE 14) OVER 50u"/1.27u MIN Ni
XXXX-8YY	15u"/0.38u MIN (SEE NOTE 14) OVER 50u"/1.27u MIN Ni
XXXX-9YY	15u"/0.38u MIN (SEE NOTE 14) OVER 50u"/1.27u MIN Ni
XXXX-0YY	30u"/0.76u MIN (SEE NOTE 14) OVER 50u"/1.27u MIN Ni

- PIN MATERIAL: PHOS BRONZE.
- MEASURED WITH PART IN RESTRAINED CONDITION.
- TWO SIDES OF PIN TIPS NOT PLATED. TYPICAL BOTH ENDS.
- 2LBS/0.9KG MIN PIN RETENTION IN EITHER DIRECTION.
- MILITARY BERGSTIK HEADER
P/N XXXXX-YYY-MIL
NOT AVAILABLE.
- ±.010/0.25 TOL APPLIES TO ALL "G" TAILS EXCEPT INDICATED PARTS ON TABLE WHERE +.010/0.25 -.000/0.00 APPLIES.
- NOTCH CONFIGURATION WILL VARY PER VENDOR'S DISCRETION.
- BERGSTRIPTM PART NUMBERS FOLLOWED BY BY A "B" ARE BULK PRICED.
- TAIL LENGTH (DIM. G) TO BE ±.008/0.20.
- POSITIONS PER ROW 37 TO 50 CAN BE PRODUCED, BUT FLATNESS AND CURVATURE MAY NOT BE HELD AS CLOSE AS 36 POSITIONS.
- THESE PRODUCTS MEETS EUROPEAN UNION DIRECTIVES AND OTHER COUNTRY REGULATION AS DESCRIBED IN GS-22-008.
- PLATING OPTIONS:
PERFORMANCE PLATING WILL BE EITHER GOLD OR GXT ON POST OR TAIL, OPTIONALLY (78~295u"/2~7.5u) TIN ON TAIL.
- "THIS PRODUCT HAS 100% TIN PLATING IN THE INTERFACE AND HAS NOT BEEN TESTED FOR WHISKER GROWTH IN ALL INTERCONNECT ENVIRONMENTS."
- THE OAL DON'T EXCEED 34.5mm
- INCREMENTS BY 0.1mm IN LENGTHS ONLY
- FOR SPECIAL PACKAGING REQUEST PLEASE CONTACT PRODUCT MANAGER FOR AVAILABILITY
- TO DETERMINE DIMENSIONS:
N=NUMBER OF POSITION PER ROW
EXAMPLE: 10 POS. N X .100/2.54
- PART NUMBERS 68602 OR 67996 FOLLOWED BY A "D" ARE PACKAGED IN TAPE/REEL WITHOUT PICKUP CAP.

NOTES

1. PART NUMBER OPTIONS:
PIN PLATING CODES (SEE ABOVE)

HIGH TEMPERATURE MATERIAL:

PART NUMBERS WITH AND WITHOUT "H" WILL BE SUPPLIED WITH HIGH TEMPERATURE PLASTIC.

NUMBER OF POSITIONS :

EVEN NUMBER OF POSITIONS FROM 2 (2X1) THROUGH 72 (2X36).
-X00H INDICATES BERGSTRIPTM PRODUCT. SEE PAGE 3
FOR SPECIAL GEOMETRY OF THIS CONTINUOUS STRIP PRODUCT.
AUTOMATED REELS WILL CONTAIN 45,000 PINS.
SEE SPECIFIC PART NUMBERS FOR AVAILABILITY.

PACKAGING:

PACKAGED IN POLY BAGS.
EIGHT DIGIT PART NUMBERS FOLLOWED BY A "T" ARE PACKAGED IN TUBES. SEE SPECIFIC PART NUMBERS FOR AVAILABILITY.
EIGHT DIGIT PART NUMBERS FOLLOWED BY A "G" ARE PACKAGED IN GPAX FOR IBM ONLY. SEE SPECIFIC PART NUMBERS FOR AVAILABILITY.
PART NUMBERS FOLLOWED BY A "C" ARE PACKAGED IN TUBES WITH A PICKUP CAP APPLIED.
EIGHT DIGIT PART NUMBERS FOLLOWED BY A "A" ARE PACKAGED IN TAPE/REEL WITH PICKUP CAP P/N 95730-003 APPLIED.

LEAD FREE:

ADD "HLF" SUFFIX AT THE END OF PART NUMBER FOR LEAD FREE OPTION, NOT AVAILABLE FOR -5YY,-5YYH, -6YY & -6YYH

HALOGEN FREE:

ADD "HF" SUFFIX AT THE END OF PART NUMBER FOR HOLOGEN FREE OPTION

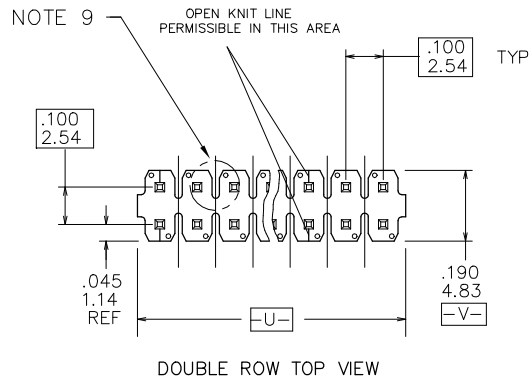
2. BODY MATERIAL:

BODY MATERIAL : MANUFACTURER'S OPTION OF NYLON, PCT GLASS FIBER REINFORCED OR MINERAL FILLED LCP FLAME RETARDENT PER UL-94V-0.
COLOR: BLACK
BERGSTRIPTM PRODUCED WITH HIGH TEMPERATURE LCP THERMOPLASTIC, FLAME RETARDENT PER UL-94V-0.
COLOR: BLACK
PART NUMBERS WITH "H" AND WITHOUT SUFFIX WILL WITHSTAND EXPOSURE TO 260° C PEAK TEMPERATURE FOR 20 SECONDS IN WAVE SOLDER, INFRA-RED OR VAPOR PHASE SOLDER PROCESS.

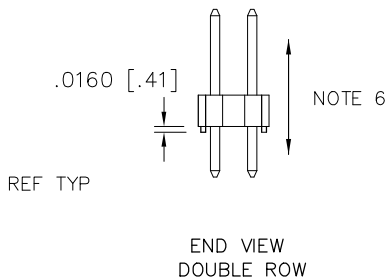
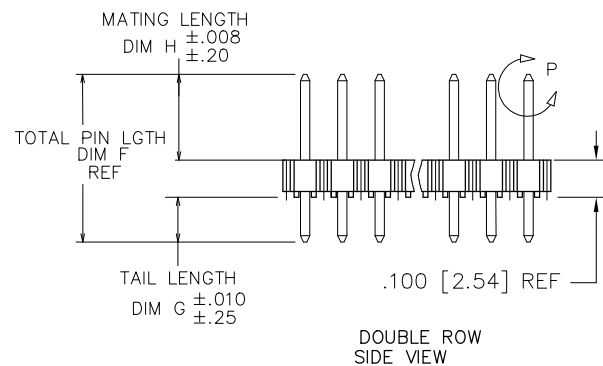
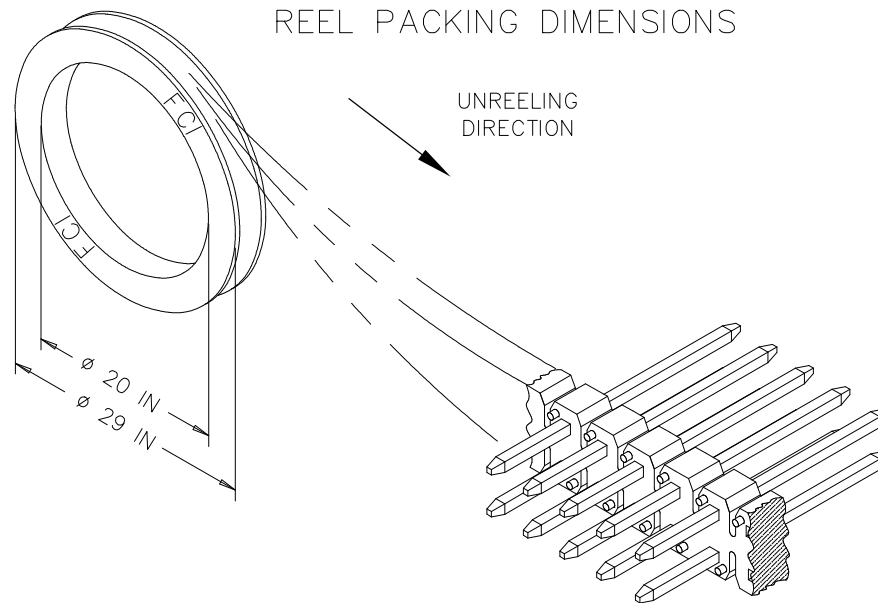
mat'l. code		surface		tolerance		projection		product family	
SEE NOTES 1 & 2		ISO 1302 ✓		ISO 406 ISO 1101				BERGSTIK	
ltr	ecn no	dr	date	tolerances unless otherwise specified				title	
DK				angles	linear	INCH/MM		BERGSTIK II HEADER D/R	
				0±2°	.xxx±0.005/.xxx±0.13	scale 2:1		.100/2.54cc STRAIGHT	
				dr	T.BREWBAKER	12/21/94		dwg no sheet2 of 8 size	
				engr	T.HANNA	07/21/99		67996 A3	
				chr	J.MURPHY	07/21/99		type Product Customer Drawing	
				appd	T.HANNA	07/21/99			
sheet index	revision sheet	DK	1-8						

Amphenol FCI B C D 2016 AFCI

BERGSTRIPTM HEADER



REEL PACKING DIMENSIONS



mat'l. code SEE NOTES 1 & 2		surface ISO 1302 ✓	tolerance ISO 406 ISO 1101	projection ISO 1101	product family BERGSTIK
ltr	ecn no	dr	date	title BERGSTIK II HEADER D/R .100/2.54cc STRAIGHT	
DK				angles linear 0°±2°	tolerances unless otherwise specified .XX±0.01/0.3 .XXX±0.005/.XXX±0.13 .XXXX±0.0020/.XXX±0.051
		dr	T.BREWBAKER 12/21/94	INCH/MM	scale 2:1
		enr	T.HANNA 07/21/99	Amphenol FCI	dwg no 67996
		chr	J.MURPHY 07/21/99		sheet 3 of 8
		appd	T.HANNA 07/21/99	type Product Customer Drawing	
sheet index	revision sheet	DK	1-8		

1 | 2 | 3 | 4 | 5 | 6

PRODUCT NUMBER	TOT. PIN LGTH.		TAIL LENGTH		MATING LENGTH		PACKAGING	NOTES	BERGSTIP™ AVAILABLE	LF OPTION
	DIM F	DIM F	DIM G	DIM G	DIM H	DIM H				
	ENGLISH	METRIC	ENGLISH	METRIC	ENGLISH	METRIC				
55005-XYH	0.597	15.16	0.095	2.41	0.402	10.21	POLY BAGS	-	YES	OB NOTE 1,13
55030-XYH	0.630	16.00	0.150	3.81	0.380	9.65	POLY BAGS	-	YES	
67996-YYY	0.425	10.80	0.095	2.41	0.230	5.84	POLY BAGS/TUBES	-	YES	
67997-YYY	0.450	11.43	0.120	3.05	0.230	5.84	POLY BAGS/TUBES	-	YES	
67997-XYH	0.450	11.43	0.120	3.05	0.230	5.84	POLY BAGS/TUBES	-	YES	
67998-YYY	0.525	13.34	0.107	2.72	0.318	8.08	POLY BAGS/TUBES	-	YES	
67999-YYY	0.548	13.92	0.130	3.30	0.318	8.08	POLY BAGS	-	NO	
68438-XYH	0.555	14.10	0.225	5.72	0.230	5.84	POLY BAGS/TUBES	-	NO	
68439-XYH	0.720	18.29	0.120	3.05	0.500	12.70	POLY BAGS	-	NO	
68464-YYY	0.650	16.51	0.120	3.05	0.430	10.92	POLY BAGS/TUBES	-	NO	
68481-YYY	0.480	12.19	0.095	2.41	0.285	7.24	POLY BAGS/TUBES	-	NO	
68482-YYY	0.938	23.83	0.318	8.08	0.520	13.21	POLY BAGS	-	NO	
68491-YYY	0.475	12.07	0.120	3.05	0.255	6.48	POLY BAGS/TUBES	-	NO	
68600-XYH	0.825	20.96	0.115	2.92	0.610	15.49	POLY BAGS	-	NO	
68601-XYH	0.620	15.75	0.120	3.05	0.400	10.16	POLY BAGS	-	NO	
68602-YYY	0.480	12.19	0.150	3.81	0.230	5.84	BAGS/TAPE&REEL	-	YES	
68690-YYY	0.533	13.54	0.115	2.92	0.318	8.08	POLY BAGS	-	NO	
68691-YYY	0.538	13.67	0.120	3.05	0.318	8.08	POLY BAGS	-	YES	
68692-YYY	0.430	10.92	0.100	2.54	0.230	5.84	POLY BAGS	-	NO	
68693-YYY	0.938	23.83	0.520	13.21	0.318	8.08	POLY BAGS	-	NO	
68716-XYH	0.828	21.03	0.410	10.41	0.318	8.08	POLY BAGS	-	NO	
68734-XYH	0.615	15.62	0.230	5.84	0.285	7.24	POLY BAGS	-	NO	
68737-YYY	0.440	11.18	0.110	2.79	0.230	5.84	POLY BAGS	-	YES	
68738-XYH	0.615	15.62	0.115	2.92	0.400	10.16	POLY BAGS	-	NO	
68739-YYY	0.486	12.34	0.156	3.96	0.230	5.84	POLY BAGS	-	NO	
68743-YYY	0.638	16.21	0.220	5.59	0.318	8.08	POLY BAGS	-	NO	
68749-XYH	0.838	21.29	0.420	10.67	0.318	8.08	POLY BAGS	-	NO	
68779-YYY	0.736	18.69	0.318	8.08	0.318	8.08	POLY BAGS	-	NO	
68783-XYH	0.375	9.53	0.045	1.14	0.230	5.84	POLY BAGS	-	NO	
68799-XYH	0.925	23.50	0.595	15.11	0.230	5.84	POLY BAGS	-	NO	

Amphenol FCI

© 2016 AFCI

mat'l. code SEE NOTES 1 & 2		surface ISO 1302 ✓		tolerance ISO 406 ISO 1101		projection 		product family BERGSTIK	
ltr	ecn no	dr	date	tolerances unless otherwise specified					
DK				angles	linear	.XX±0.01/0.3		INCH/MM	
				0±2°		.XXX±0.005/.XXX±0.13		scale 2:1	
				dr	T.BREWBAKER	12/21/94		dwg no	
				enr	T.HANNA	07/21/99		sheet 4 of 8 size	
				chr	J.MURPHY	07/21/99		67996 A3	
				appd	T.HANNA	07/21/99		type Product Customer Drawing	
sheet index	revision sheet	DK	1-8						

PRODUCT NUMBER	TOT. PIN LGTH.		TAIL LENGTH		MATING LENGTH		PACKAGING	NOTES	BERGSTRIPTM AVAILABLE	LF OPTION
	DIM F	DIM F	DIM G	DIM G	DIM H	DIM H				
	ENGLISH	METRIC	ENGLISH	METRIC	ENGLISH	METRIC				
69132-XYX	0.760	19.30	0.120	3.05	0.540	13.72	POLY BAGS/TUBES	-	NO	OB NOTE 1,13
69133-XYX	0.615	15.62	0.285	7.24	0.230	5.84	POLY BAGS	-	NO	
69157-XYX	0.410	10.41	0.110	2.79	0.200	5.08	POLY BAGS	-	NO	
71217-XYXH	1.000	25.40	0.450	11.43	0.450	11.43	POLY BAGS	-	NO	
71222-XYXH	0.850	21.59	0.250	6.35	0.500	12.70	POLY BAGS	-	NO	
72273-XYXH	0.725	18.42	0.110	2.79	0.515	13.08	POLY BAGS	-	NO	
72448-XYXH	0.658	16.71	0.172	4.37	0.386	9.80	POLY BAGS	-	NO	
72455-XYXH	0.598	15.19	0.180	4.57	0.318	8.08	POLY BAGS	-	NO	
72455-632HG	0.598	15.19	0.180	4.57	0.318	8.08	GPAX	NOTE 1	NO	
73503-XYXH	0.420	10.67	0.120	3.05	0.200	5.08	POLY BAGS	-	NO	
73596-XYXH	0.795	20.19	0.110	2.79	0.585	14.86	POLY BAGS	-	NO	
74317-XYXH	0.532	13.51	0.309	7.85	0.123	3.12	POLY BAGS	NOTE 11	NO	
74318-XYXH	0.592	15.04	0.369	9.37	0.123	3.12	POLY BAGS	NOTE 11	NO	
74999-XYXH	0.508	12.90	0.090	2.29	0.318	8.08	POLY BAGS	-	NO	
78212-XYX	0.710	18.03	0.350	8.89	0.260	6.60	POLY BAGS	-	NO	
78233-XYX	0.568	14.43	0.150	3.81	0.318	8.08	POLY BAGS	-	NO	
78269-XYX	0.385	9.78	0.095	2.41	0.190	4.83	POLY BAGS	-	NO	
78286-XYX	0.500	12.70	0.160	4.06	0.240	6.10	POLY BAGS/TUBES	-	NO	
78932-XYX	UNAVAILABLE		UNAVAILABLE		UNAVAILABLE			-	-	
78933-XYX	0.695	17.65	0.285	7.24	0.310	7.87	POLY BAGS	-	NO	
78988-XYX	0.540	13.72	0.135	3.43	0.305	7.75	POLY BAGS	-	NO	
78989-XYX	UNAVAILABLE		UNAVAILABLE		UNAVAILABLE			-	-	
78990-XYX	UNAVAILABLE		UNAVAILABLE		UNAVAILABLE			-	-	
78991-XYX	UNAVAILABLE		UNAVAILABLE		UNAVAILABLE			-	-	
78992-XYX	UNAVAILABLE		UNAVAILABLE		UNAVAILABLE			-	-	
78993-XYX	UNAVAILABLE		UNAVAILABLE		UNAVAILABLE			-	-	
78994-XYX	UNAVAILABLE		UNAVAILABLE		UNAVAILABLE			-	-	

Amphenol FCI

© 2016 AFCI

mat'l. code SEE NOTES 1 & 2		surface ISO 1302 ✓	tolerance ISO 406 ISO 1101	projection 	product family BERGSTIK
ltr	ecn no dr date	tolerances unless otherwise specified			title BERGSTIK II HEADER D/R .100/2.54cc STRAIGHT
DK		angles	linear		
		0±2°	.xxx±0.005/.xxx±0.13 .xxxx±0.0020/.xxx±0.051	INCH/MM	
		dr	T.BREWBAKER 12/21/94	scale 2:1	dwg no sheet5 of 8 size
		enr	T.HANNA 07/21/99		67996 A3
		chr	J.MURPHY 07/21/99		type Product Customer Drawing
sheet index	revision sheet	DK	1-8		

PRODUCT NUMBER	TOT. PIN LGTH.		TAIL LENGTH		MATING LENGTH		PACKAGING	NOTES	BERGSTRIPTM AVAILABLE	LF OPTION
	DIM F	DIM F	DIM G	DIM G	DIM H	DIM H				
	ENGLISH	METRIC	ENGLISH	METRIC	ENGLISH	METRIC				
78995-XYY	UNAVAILABLE		UNAVAILABLE		UNAVAILABLE			-	-	NOTE 1,13
78996-XYY	UNAVAILABLE		UNAVAILABLE		UNAVAILABLE			-	-	
79242-XYY	0.930	23.62	0.340	8.64	0.490	12.45	POLY BAGS	-	NO	OB
79243-XYY	1.230	31.24	0.390	9.91	0.740	18.80	POLY BAGS	-	NO	OB
79244-XYY	UNAVAILABLE		UNAVAILABLE		UNAVAILABLE			-	-	
79268-XYY	1.020	25.91	0.120	3.05	0.800	20.32	POLY BAGS	-	NO	OB
79271-XYY	1.100	27.94	0.500	12.70	0.500	12.70	POLY BAGS	-	NO	OB
79425-XYY	0.410	10.41	0.120	3.05	0.190	4.83	POLY BAGS	-	NO	
79821-XYY	0.730	18.54	0.200	5.08	0.430	10.92	POLY BAGS	-	NO	
84610-XYYH	0.380	9.65	0.120	3.05	0.160	4.06	POLY BAGS	-	NO	OB
84760-XYYH	0.870	22.09	0.150	3.81	0.620	15.74	POLY BAGS	-	NO	OB
84784-XYYH	1.130	28.70	0.122	3.09	0.908	23.06	POLY BAGS	-	NO	OB
84934-XYYH	1.375	34.93	0.625	15.88	0.650	16.51	POLY BAGS	-	NO	OB
84976-XYYH	0.730	18.54	0.400	10.16	0.230	5.84	POLY BAGS	-	NO	OB
86503-XYY	0.470	11.94	0.120	3.05	0.250	6.35	POLY BAGS	-	NO	
86581-XYY	0.450	11.43	0.120	3.05	0.230	5.84	POLY BAGS	NOTE 8	NO	OB
86817-XYY	0.925	23.50	0.120	3.05	0.705	17.91	POLY BAGS	-	NO	OB
86827-XYY	0.700	17.78	0.120	3.05	0.480	12.19	POLY BAGS	-	NO	OB
86832-XYY	0.525	13.34	0.100	2.54	0.325	8.26	POLY BAGS	-	NO	
86834-XYY	1.335	33.91	0.585	14.86	0.650	16.51	POLY BAGS	-	NO	OB
86836-XYY	0.870	22.10	0.120	3.05	0.650	16.51	POLY BAGS	-	NO	OB
86837-XYY	0.600	15.24	0.120	3.05	0.380	9.65	POLY BAGS	-	NO	
87037-XYY	1.240	31.50	0.120	3.05	1.020	25.91	POLY BAGS	-	NO	OB
87052-XYY	0.990	25.15	0.120	3.05	0.770	19.56	POLY BAGS	-	NO	
87203-XYY	0.545	13.84	0.150	3.81	0.295	7.49	POLY BAGS	-	NO	OB
87344-XYY	1.375	34.93	0.219	5.56	1.056	26.82	POLY BAGS	-	NO	OB NOTE 1,13

Amphenol FCI

© 2016 AFCI

mat'l. code SEE NOTES 1 & 2		surface ISO 1302 ✓	tolerance ISO 406 ISO 1101	projection 	product family BERGSTIK
ltr	ecn no dr date	tolerances unless otherwise specified			title BERGSTIK II HEADER D/R
DK		angles	linear .xx±0.01/0.3 .xxx±0.005/.xxx±0.13 .xxxx±0.0020/.xxx±0.051	INCH/MM	.100/2.54cc STRAIGHT
		0±2°		scale 2:1	dwg no sheet 6 of 8 size
		dr	T.BREWBAKER 12/21/94	Amphenol FCI	67996 A3
		enr	T.HANNA 07/21/99		
		chr	J.MURPHY 07/21/99		
		appd	T.HANNA 07/21/99		type Product Customer Drawing
sheet index	revision sheet	DK	1-8		

