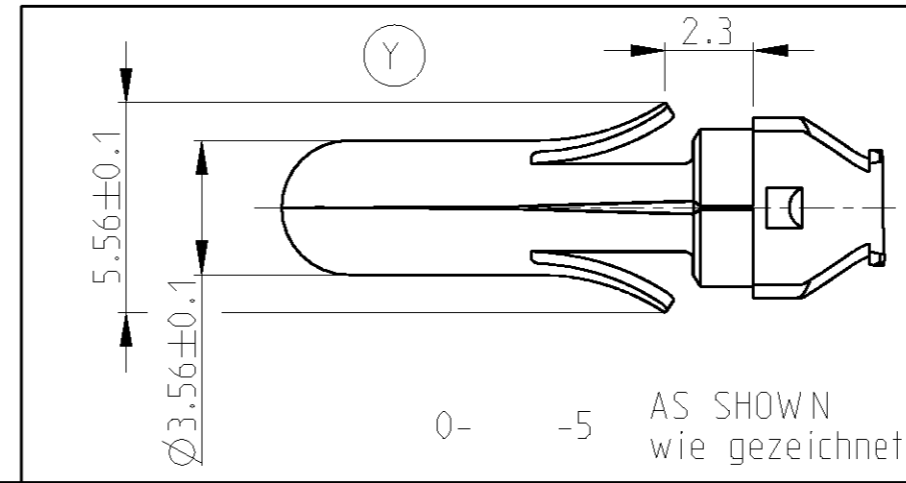
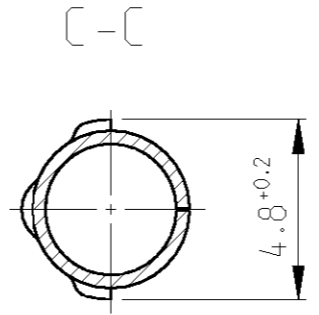
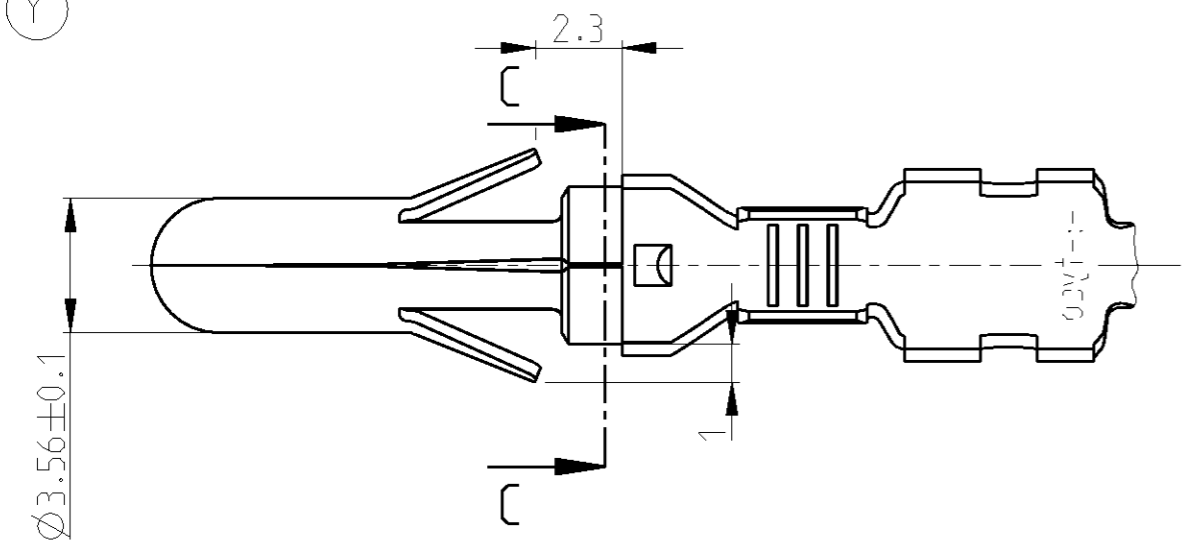
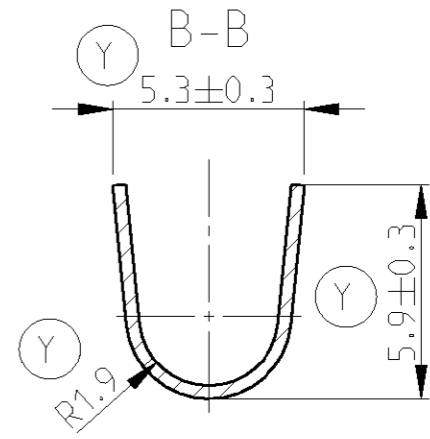
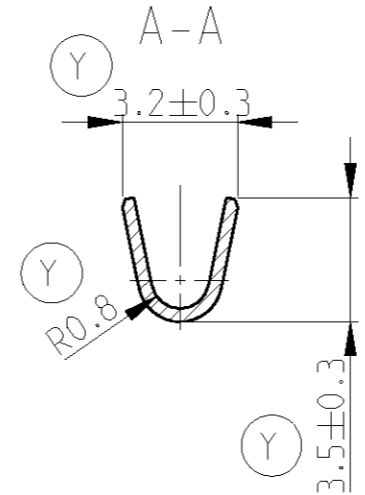
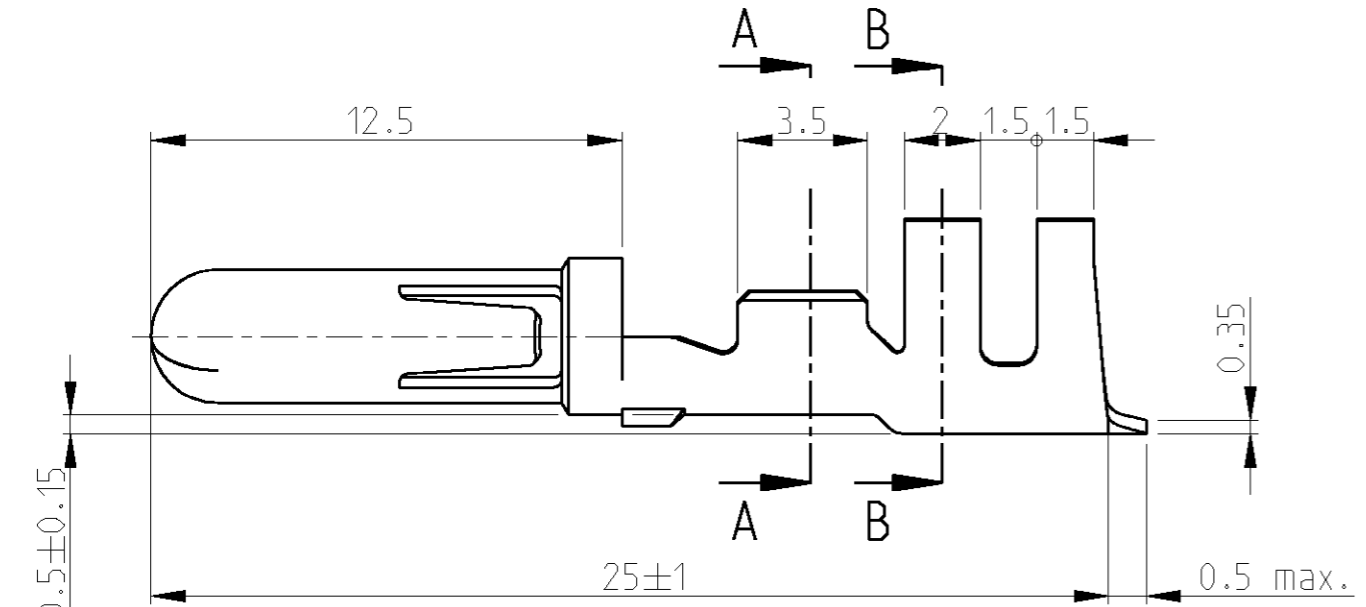


THIS DRAWING IS UNPUBLISHED. RELEASED FOR PUBLICATION 2004
 © COPYRIGHT 2004 BY TYCO ELECTRONICS CORPORATION. ALL RIGHTS RESERVED.

LOC	DIST	REVISIONS			
P	LTR	DESCRIPTION	DATE	DWN	APVD
GT		Y SEE ECR-05-011158	19AUG2005	RVL	MBL



Angeschlagener Leiter: FLK-Leitung
 Leiter: F-Crimp
 Isolation: F-Crimp

Leitungsquerschnitt in mm²
 CROSS-SECTION IN mm²

	SINGLE CONNECTION Einzelanschlag	0.50	0.75	1.00	1.50	2.00	2.50	3.00	4.00	6.00
0.50	x	x	x	x	x					
0.75	x	x	x	x						
1.00	x	x	x	x						
1.50	x	x								
2.00										
2.50										
3.00										
4.00										
6.00										

0- -1,2,3,4,6,7 AS SHOWN wie gezeichnet

Drahtgrößenbereich: 0.5-2.0 mm²

925660-7	925715-7	CuZn 30	blank
925660-6	925715-6	CuSn 4	Gold üb. Ni.
925660-5	925715-5	St4K50	vorverzinkt
925660-4	925715-4	CuSn 4	blank
925660-3	925715-3	CuSn 4	versilber
925660-2	925715-2	CuSn 4	vorverzinkt
925660-1	925715-1	CuZn 30	vorverzinkt
Bestell.-Nr. für Einzelausführung Crimp vorgeformt	BESTELL-NR.	WERSTOFF	OBERFLÄCHE

THIS DRAWING IS A CONTROLLED DOCUMENT FOR TYCO ELECTRONICS CORPORATION IT IS SUBJECT TO CHANGE AND THE CONTROLLING ENGINEERING ORGANIZATION SHOULD BE CONTACTED FOR THE LATEST REVISION.

DIMENSIONS:	TOLERANCES UNLESS OTHERWISE SPECIFIED:
mm	
0 PLC	±0.2
1 PLC	±0.2
2 PLC	±0.2
3 PLC	±
4 PLC	±
ANGLES	±1°
MATERIAL	SEE TABLE
FINISH	SEE TABLE

DWN	J.SKODA	22JUL2005
CHK	R.VLCEK	19AUG2005
APVD	M.BLIFCHER	26AUG2005
PRODUCT SPEC	108-1032	
APPLICATION SPEC	114-1007	
WEIGHT	-	

tyco Electronics tyco Electronics AMP GmbH
 D - 64625 Bensheim

NAME: Ø 3.5 PIN, Ø 3.5 Stift

SIZE: A3 CAGE CODE: 00779 DRAWING NO: 925715 RESTRICTED TO: -

CUSTOMER DRAWING / KUNDENZEICHNUNG SCALE: 5:1 SHEET: 1 OF 1 REV: Y