

Side element - UMK-SE 11,25-1 - 2970442

Please be informed that the data shown in this PDF Document is generated from our Online Catalog. Please find the complete data in the user's documentation. Our General Terms of Use for Downloads are valid (<http://phoenixcontact.com/download>)

Side element, 11.25 mm wide, without marker groove



Key Commercial Data

Packing unit	1 pc
Minimum order quantity	50 pc
GTIN	 4 017918 087722
GTIN	4017918087722
Weight per Piece (excluding packing)	5.600 g
Custom tariff number	85389099
Country of origin	Poland

Technical data

Product properties

Brief article description	Side element
Type	UMK-SE 11,25-1
Item no.	2970442
Housing type	Press-drawn section housings
Housing series	UMK
Type	Lateral element

Dimensions

Length [l]	11.25 mm
Profile width (external)	77 mm

Side element - UMK-SE 11,25-1 - 2970442

Technical data

Dimensions

Profile width (internal)	72.2 mm
--------------------------	---------

Material specifications

Housing material	Polyamide
Color (RAL)	green
Flammability rating according to UL 94	V2

Packaging specifications

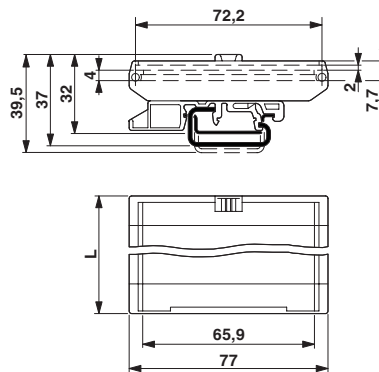
Pieces per package	50
Denomination packing units	Pcs.

Environmental Product Compliance

China RoHS	Environmentally friendly use period: unlimited = EFUP-e
	No hazardous substances above threshold values

Drawings

Dimensional drawing



Classifications

eCl@ss

eCl@ss 10.0.1	27182701
eCl@ss 11.0	27182701
eCl@ss 4.0	27180400
eCl@ss 4.1	27180400
eCl@ss 5.0	27180500
eCl@ss 5.1	27180500
eCl@ss 6.0	27180800
eCl@ss 7.0	27182701

Side element - UMK-SE 11,25-1 - 2970442

Classifications

eCl@ss

eCl@ss 9.0	27182701
------------	----------

ETIM

ETIM 2.0	EC001031
ETIM 3.0	EC001031
ETIM 4.0	EC001031
ETIM 6.0	EC002779
ETIM 7.0	EC002779

UNSPSC

UNSPSC 6.01	31261501
UNSPSC 7.0901	31261501
UNSPSC 11	31261501
UNSPSC 12.01	31261501
UNSPSC 13.2	31261501
UNSPSC 18.0	31261501
UNSPSC 19.0	31261501
UNSPSC 20.0	31261501
UNSPSC 21.0	31261501

Approvals

Approvals

Approvals

EAC / UL Recognized

Ex Approvals

Approval details

EAC		B.01687
-----	---	---------

Side element - UMK-SE 11,25-1 - 2970442

Approvals

UL Recognized



<http://database.ul.com/cgi-bin/XYV/template/LISEXT/1FRAME/index.htm>

FILE E 240868