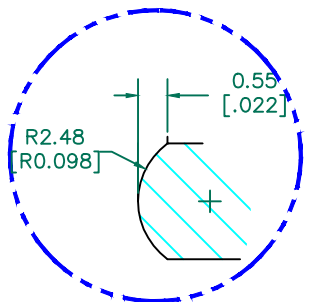


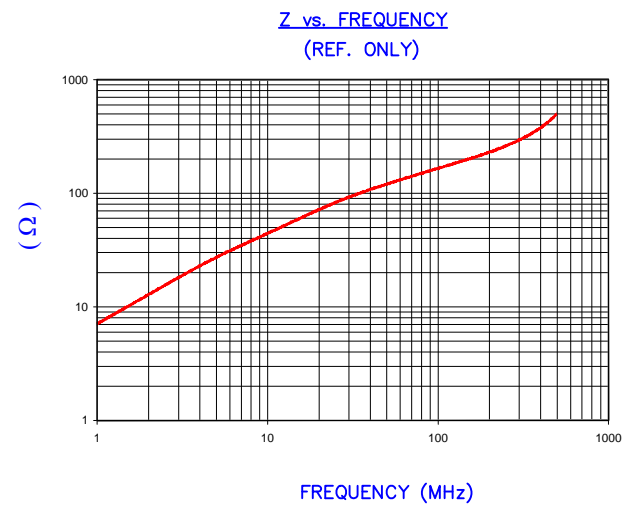
SEE DETAIL "A"



DETAIL "A"
CHAMFER
SCALE=4:1

UNCONTROLLED DOCUMENT

IMPEDANCE (Z)			
Frequency	25 MHz	100 MHz	300 MHz
Nominal (REF)	79 Ω	163 Ω	273 Ω
Minimum	- Ω	130 Ω	- Ω



AGILENT E4991A Impedance/Material Analyzer
HP 16092A Test Fixture REF# 3006

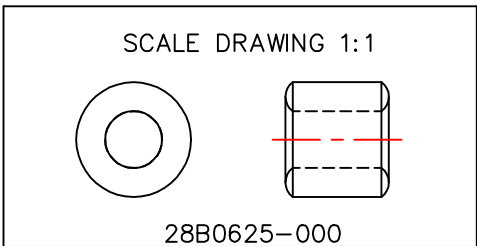
FERRITE CORE DIMENSIONS (SPEC):

A	15.88 [.625]	±	0.30 [.012]
B	7.87 [.310]	±	0.15 [.006]
C	14.27 [.563]	±	0.25 [.010]

WEIGHT/1000 10.11 kgs [22.30 Lbs]

NOTES: UNLESS OTHERWISE SPECIFIED

1. COSMETIC SPECIFICATION REFER TO WI-QA-038.



DIMENSIONS ARE IN mm [INCHES].

REV	DESCRIPTION	DATE	INT
K	UPDATE THE LOGO	05/13/15	QIU
J	UPDATE CO.LOGO CHG CHAMFER DESIGN	03/20/09	JRK
H	UPDATE MIN Z SPEC@100 MHZ	11/14/05	JRK
G	UPDATE MIN Z SPECS ADD TEST REF	12/06/04	JRK
F	UPDATE FORMAT, Z SPECS & CURVE	05/20/03	JRK

This print is the property of Laird Tech. and is loaned in confidence subject to return upon request and with the understanding that no copies shall be made without the written consent of Laird Tech. All rights to design or invention are reserved.



PROJECT/PART NUMBER: 28B0625-000	REV K	PART TYPE: FERRITE CNZ CORE	DRAWN BY: DJB
DATE: 07/25/91	SCALE: 2:1	MATERIAL: Ferrite	
CAD # 28B0625-000-K	TOOL # B0625		