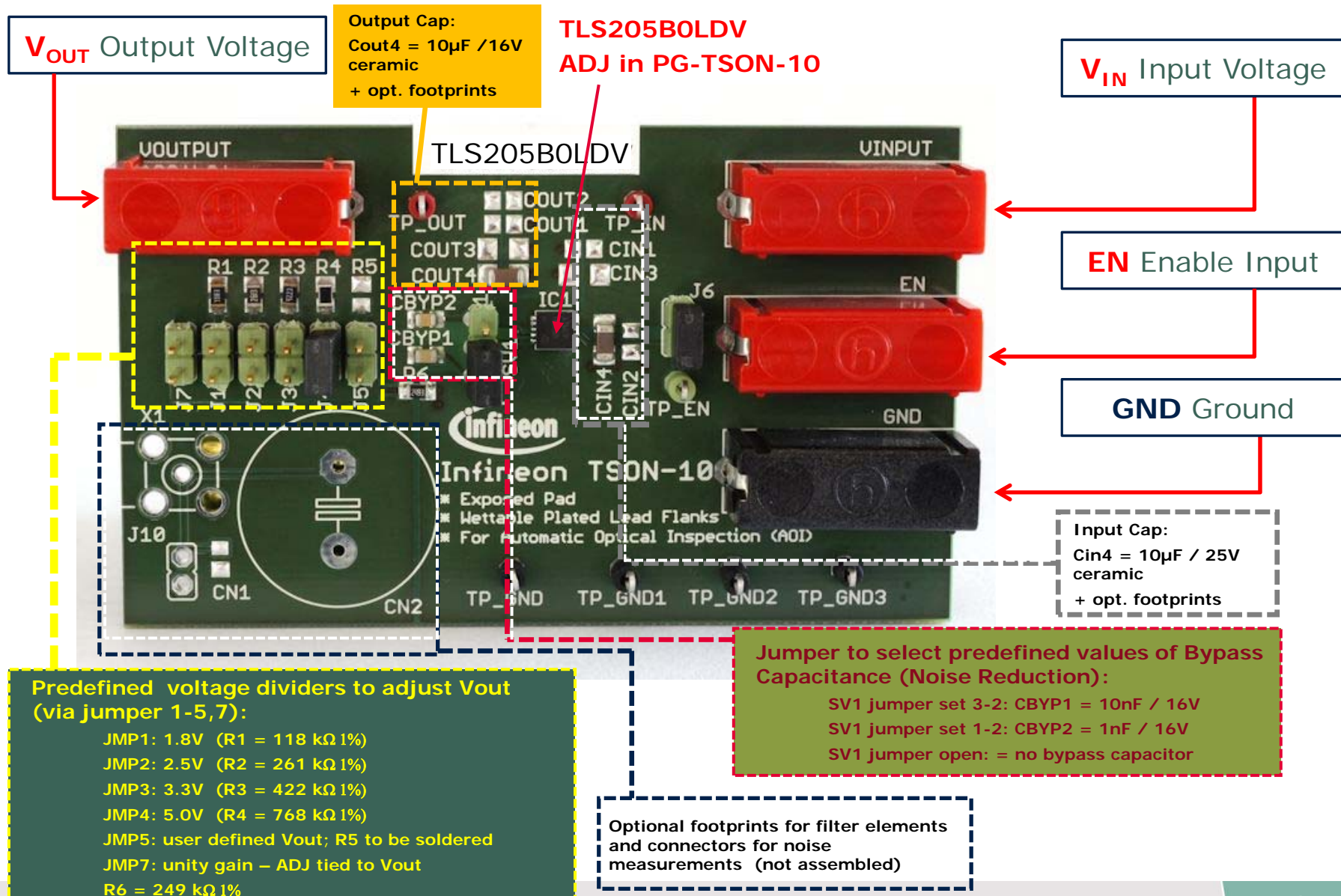


TLS205B0 DEMO Board User Guide



Board Overview and Quick Start

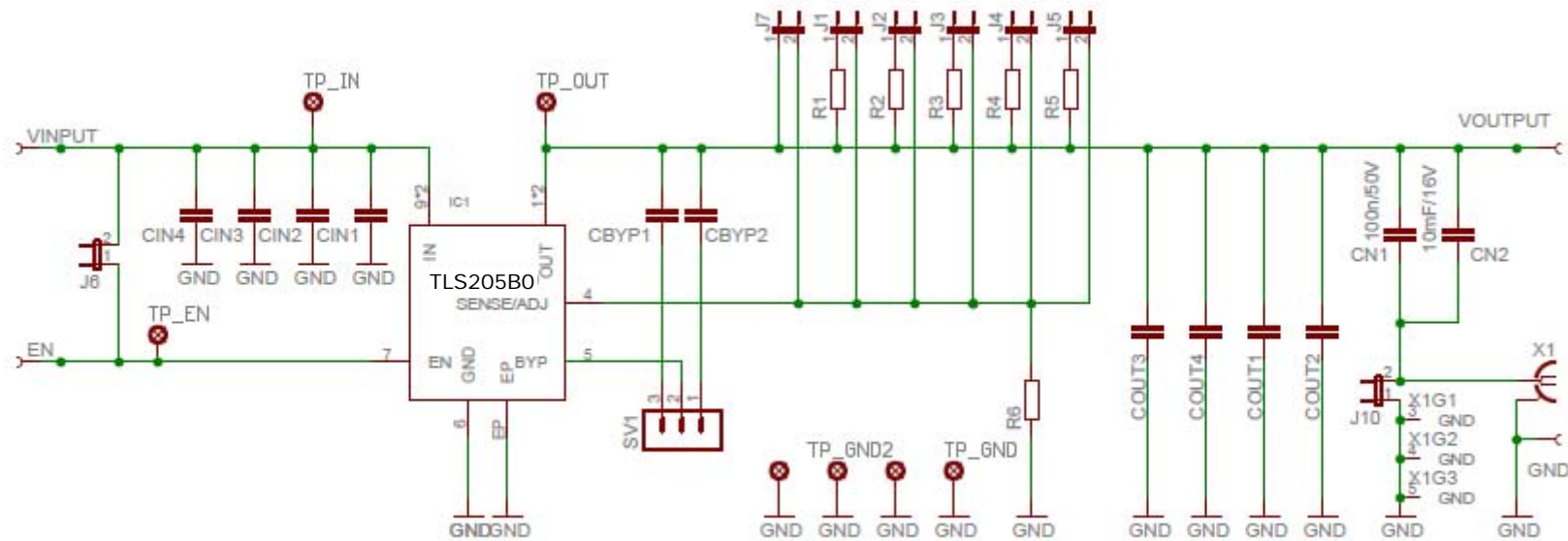


Quick Start

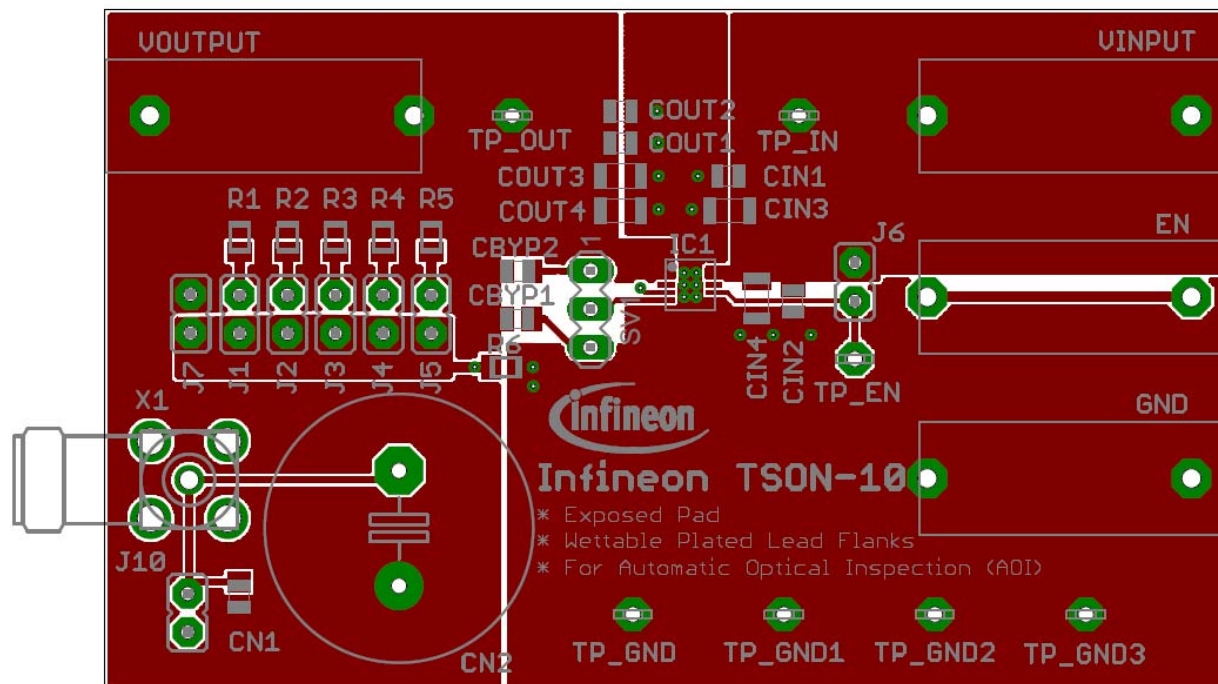
- › Select the desired Output Voltage V_{OUT} :
 - close **ONE** of the jumpers JMP 1-5 according to page 2. If JMP5 is used (= user-specific) a user defined value for R5 must be soldered accordingly. If $V_{OUT} > 16V$ is chosen the output capacitor must be replaced with a capacitor having a higher voltage rating (16V is assembled). Leave the other jumpers open!
- › Select Bypass Capacitance:
 - the jumper settings of SV1 allow to use pre-assembled bypass capacitor values C_{BYP} of either 10nF or 1nF. Leaving SV1 open corresponds to „no bypass capacitor used“.
- › Connect **GND** to Ground
- › Connect **V_{IN}** to the Voltage Supply
 - Absolute Maximum Rating V_{IN} : -20V to 20V
- › Connect **V_{OUT}** to the load
 - Absolute Maximum Rating V_{OUT} : -20V to 20V
- › Set **EN** to high level or connect to **V_{IN}** to start the voltage regulator
 - Absolute Maximum Rating EN: -20V to 20V
 - Jumper JMP6 can be used to tie V_{EN} to V_{IN}

Note: Do NOT exceed the Absolute Maximum Ratings!

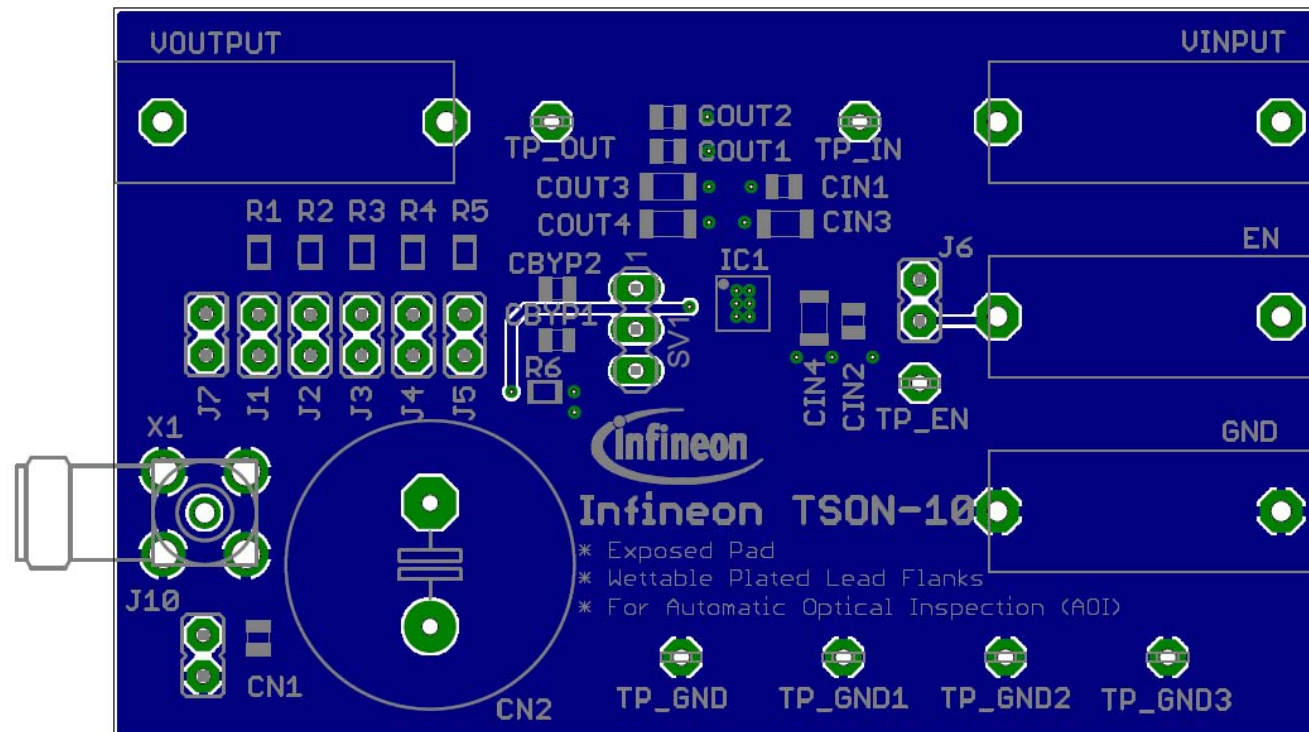
Board Schematics



Board TOP Layer



Board BOTTOM Layer





Part of your life. Part of tomorrow.



Mouser Electronics

Authorized Distributor

Click to View Pricing, Inventory, Delivery & Lifecycle Information:

[Infineon:](#)

[TLS205B0LDVBOARDTOBO1](#)