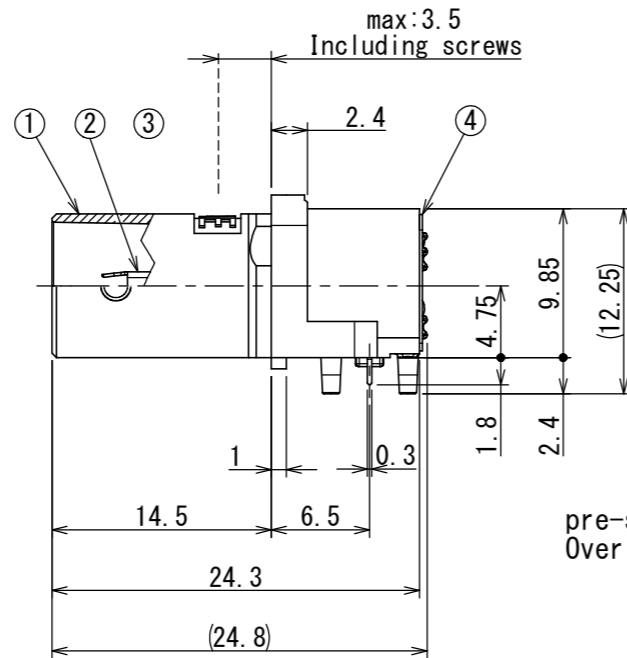
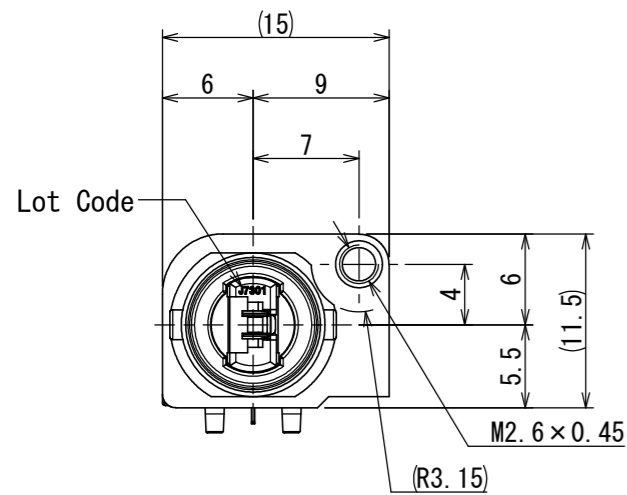
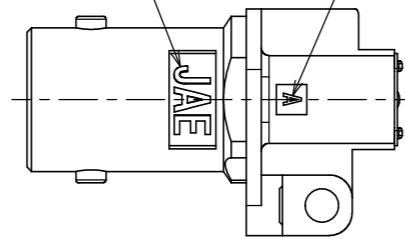


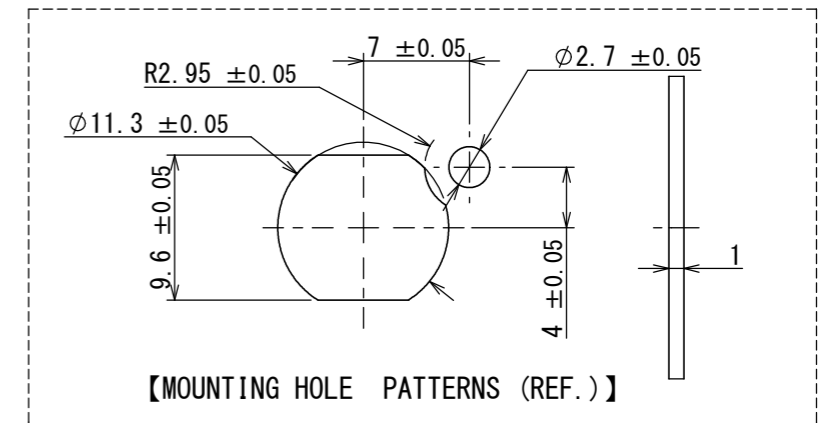
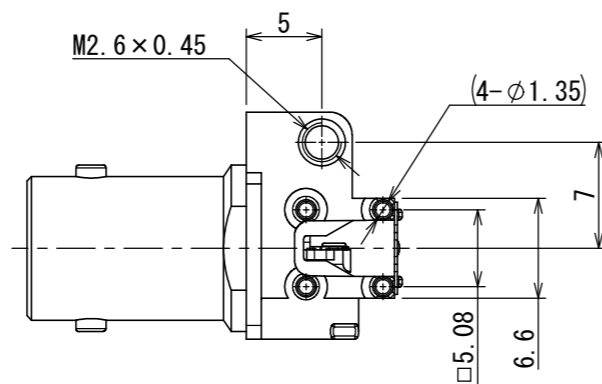
SJ118563
(ON DRAWING) (台番号)

版数 VER.	年月日 DATE	CN NO.	変更内容 DESCRIPTION	製図 DR.	担当 CHK.	査閲 APPD.	承認 APPD.
------------	-------------	--------	---------------------	-----------	------------	-------------	-------------

Company Logo Cavity Code



pre-soldering
Over half of the terminal side face



【MOUNTING HOLE PATTERNS (REF.)】

Designation

BNCOS111C00
 Connection No. : -
 Characteristic impedance: C=75Ω
 Development number
 Number of contact
 Connector type : right angle plug receptacle
 Series : BNC

4	PLATE	1	STAINLESS STEEL	-	-
3	INSULATOR	1	SPS	COLOR : BLACK	-
2	SOCKET CONTACT	1	PHOSPHOR BRONZE	SELECTIVE GOLD PLATING OVER NICKEL	-
1	SHELL	1	ZINC ALLOY	NICKEL PLATING OVER COPPER	-
符号 NO.	名称 DESCRIPTION	個数 QTY.	材料 MATERIAL	仕上 FINISH	備考 REMARKS

Note.1 Refer to technical manual (JABL-20209-1) for the recommended foot pattern.

仕様書 (SPECIFICATION) JACS-20209 JABL-20209, JABL-20209-1		第1版 (ORIGINAL DATE) 24/MAR/2017		尺度 (SCALE) 2:1		シリーズ (SERIES) BNC		日本航空電子工業株式会社	
一般公差 (GENERAL TOLERANCE)		製図 DR. Y. DEMURA		名称 (TITLE) BNCOS111C00 for 12G-SDI (t1.6)		JAE JAPAN AVIATION ELECTRONICS INDUSTRY, LTD.		図面番号 (DRAWING NO.) SJ118563	
寸法 (DIMENSION)		担当 CHK. T. EBISAWA		質量 (MASS)					
角度 (ANGLES)		査閲 APPD. -		承認 APPD. T. MIYASHITA		SIZE A3		版数 (VER.) 1	
単位 (UNIT) : mm									

DCF-C-212H(12.08)



Mouser Electronics

Authorized Distributor

Click to View Pricing, Inventory, Delivery & Lifecycle Information:

[JAE Electronics:](#)

[BNC0T101C00](#) [BNC0S111C00](#)