

# High Frequency Ceramic Solutions

3.75GHz Band Pass Filter, EIA 0603, SMD, Low Loss and High Attenuation

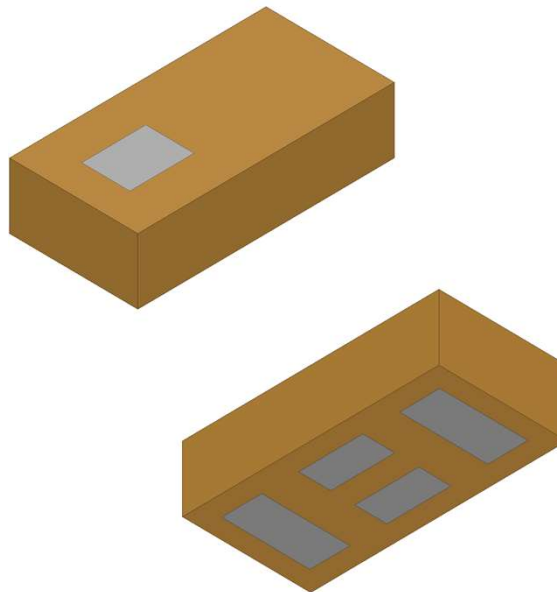
P/N 3750BP14A0900

Detail Specification: 5/21/2020

Page 1 of 4

## General Specifications

<b>Part Number</b>	3750BP14A0900
<b>Operating Frequency (MHz)</b>	3300 - 4200
<b>Insertion loss (dB)</b>	2.3 typ.(2.7max.@85°C 2.8 max.@105°C)
<b>Return Loss (dB)</b>	10 min.
<b>Power Capacity (W)</b>	3 max. (CW)
Attenuation (dB)	
<b>DC - 2170 MHz</b>	44 typ. (40 min.)
<b>2300 - 2700 MHz</b>	41 typ. (30 min.)
<b>5500 - 5850 MHz</b>	22 typ. (20 min.)
<b>Operating Temperature</b>	-40°C to +105°C
<b>Reel Quantity (pcs/reel)</b>	4,000
<b>Recommended Storage Conditions for unused T&amp;R product</b>	+5 to +35°C Humidity 45 - 75%RH 18 months max.



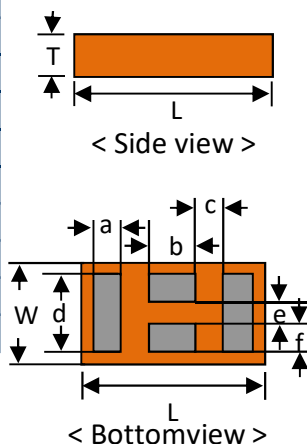
You can download measured s-parameters of this component at: <https://www.johansontechnology.com/band-pass-filters>

## Part Number Explanation

P/N Suffix	Packaging Style	Bulk	Suffix = S	E.g. 3750BP14A0900S
		T & R	Suffix = T	E.g. 3750BP14A0900T
	Evaluation Board	50Ω SMA	Suffix = EB1SMA	E.g. 3750BP14A0900-EB1SMA

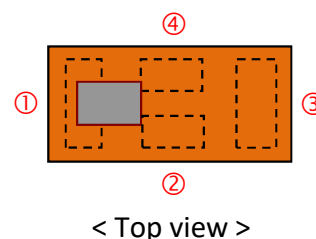
## Mechanical Dimensions

	In	mm
<b>L</b>	0.063 ± 0.006	1.60 ± 0.15
<b>W</b>	0.031 ± 0.006	0.80 ± 0.15
<b>T</b>	0.016 max.	0.40 max.
<b>a</b>	0.010 ± 0.002	0.25 ± 0.05
<b>b</b>	0.016 ± 0.004	0.40 ± 0.10
<b>c</b>	0.009 ± 0.004	0.23 ± 0.10
<b>d</b>	0.022 ± 0.004	0.55 ± 0.10
<b>e</b>	0.008 ± 0.002	0.21 ± 0.05
<b>f</b>	0.008 ± 0.002	0.20 ± 0.05



## Terminal Configuration

No.	Function
1	INPUT / OUTPUT
2	GND
3	INPUT / OUTPUT
4	GND



Johanson Technology, Inc. reserves the right to make design changes without notice.

All sales are subject to Johanson Technology, Inc. terms and conditions.



<https://www.johansontechnology.com>

4001 Calle Tecate • Camarillo, CA 93012, USA • TEL +1.805.389.1166

Ver. 1.1

2020 Johanson Technology, Inc. All Rights Reserved

# High Frequency Ceramic Solutions

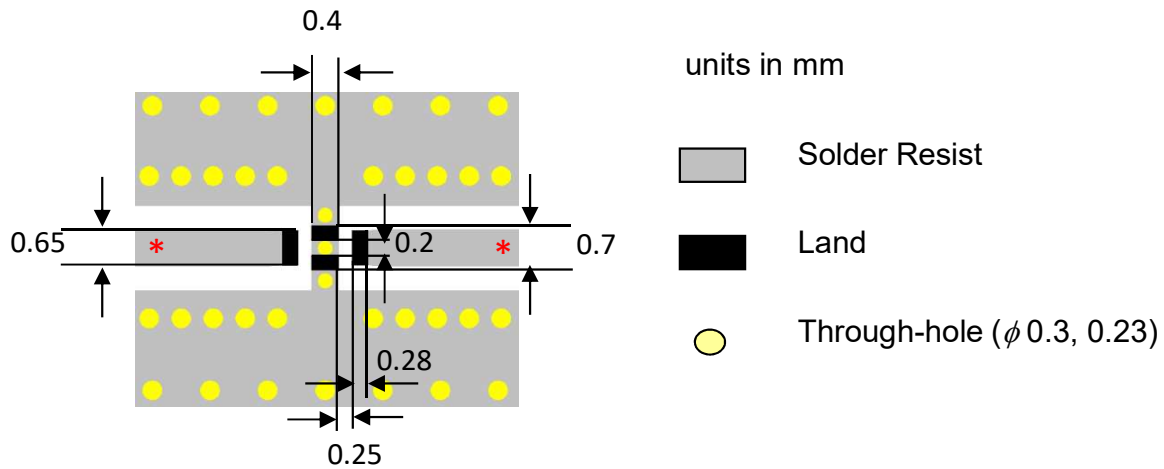
3.75GHz Band Pass Filter, EIA 0603, SMD, Low Loss and High Attenuation

P/N 3750BP14A0900

Detail Specification: 5/21/2020

Page 2 of 4

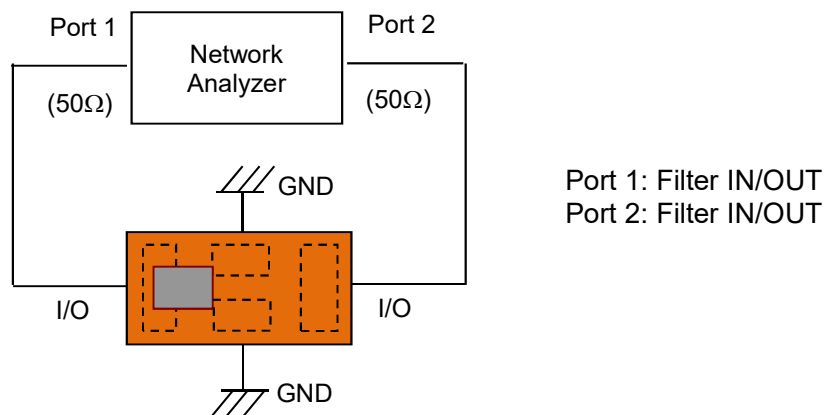
## Mounting Pad Dimensions



\* Transmission line width should be designed to match 50 $\Omega$  characteristic impedance, depending on PCB material and thickness.

Would you like the layout? Send us a message at: <https://www.johansontechnology.com/ask-a-question>

## Measurement Schematic



Johanson Technology, Inc. reserves the right to make design changes without notice.  
All sales are subject to Johanson Technology, Inc. terms and conditions.



Ver. 1.1

<https://www.johansontechnology.com>  
4001 Calle Tecate • Camarillo, CA 93012, USA • TEL +1.805.389.1166

2020 Johanson Technology, Inc. All Rights Reserved

# High Frequency Ceramic Solutions

3.75GHz Band Pass Filter, EIA 0603, SMD, Low Loss and High Attenuation

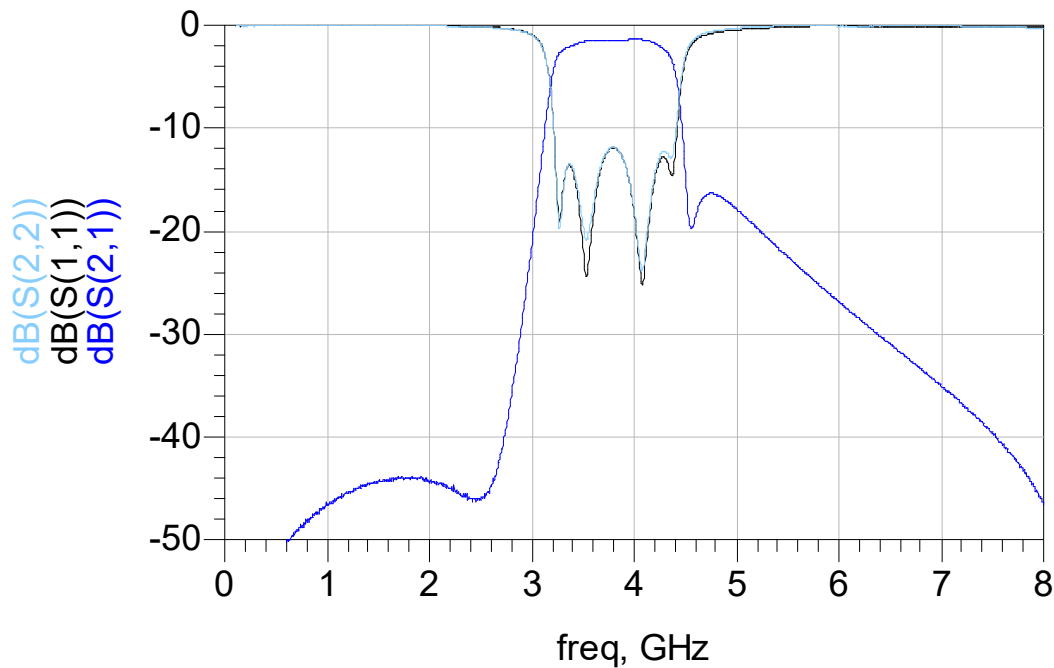
P/N 3750BP14A0900

Detail Specification: 5/21/2020

Page 3 of 4

## Typical Electrical Characteristics (T=25°C)

### Insertion Loss & Return loss



Do you need the S-parameter file of the above? Send us a message at:  
<https://www.johansontechnology.com/ask-a-question>

Johanson Technology, Inc. reserves the right to make design changes without notice.  
All sales are subject to Johanson Technology, Inc. terms and conditions.



<https://www.johansontechnology.com>

4001 Calle Tecate • Camarillo, CA 93012, USA • TEL +1.805.389.1166

Ver. 1.1

2020 Johanson Technology, Inc. All Rights Reserved

# High Frequency Ceramic Solutions

3.75GHz Band Pass Filter, EIA 0603, SMD, Low Loss and High Attenuation

P/N 3750BP14A0900

Detail Specification: 5/21/2020

Page 4 of 4

## Application Notes, Layout Files, and more

<https://www.johansontechnology.com/band-pass-filters>

## Packaging information

<https://www.johansontechnology.com/tape-reel-packaging>

## Soldering Information

<https://www.johansontechnology.com/ipcsoldering-profile>

## MSL Info

<https://www.johansontechnology.com/msl-rating>

## Recommended Storage Condition and Max Shelf Life

<https://www.johansontechnology.com/recommended-storage-conditions>

## RoHS Compliance

<https://www.johansontechnology.com/technical-notes/rohs-compliance>

## Antenna layout and tuning techniques

<https://www.johansontechnology.com/tuning.html>

## Antenna layout review, tuning, and characterization services

<https://www.johansontechnology.com/ipc-antenna-services>

Johanson Technology, Inc. reserves the right to make design changes without notice.

All sales are subject to Johanson Technology, Inc. terms and conditions.



<https://www.johansontechnology.com>

4001 Calle Tecate • Camarillo, CA 93012, USA • TEL +1.805.389.1166

Ver. 1.1

2020 Johanson Technology, Inc. All Rights Reserved

# Mouser Electronics

Authorized Distributor

Click to View Pricing, Inventory, Delivery & Lifecycle Information:

[Johanson:](#)

[3750BP14A0900T](#)