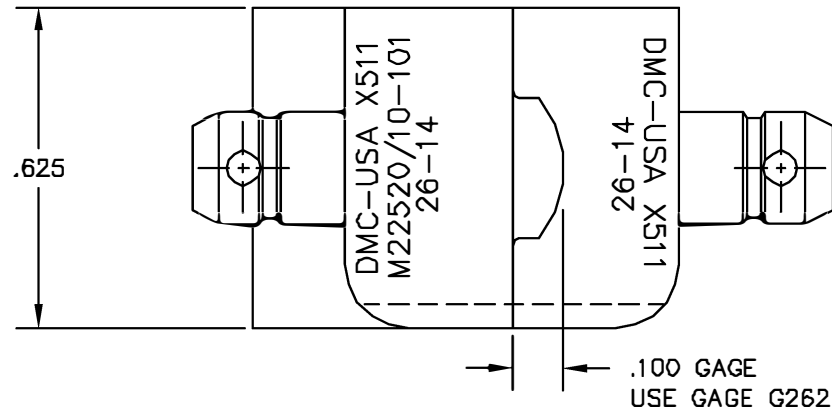
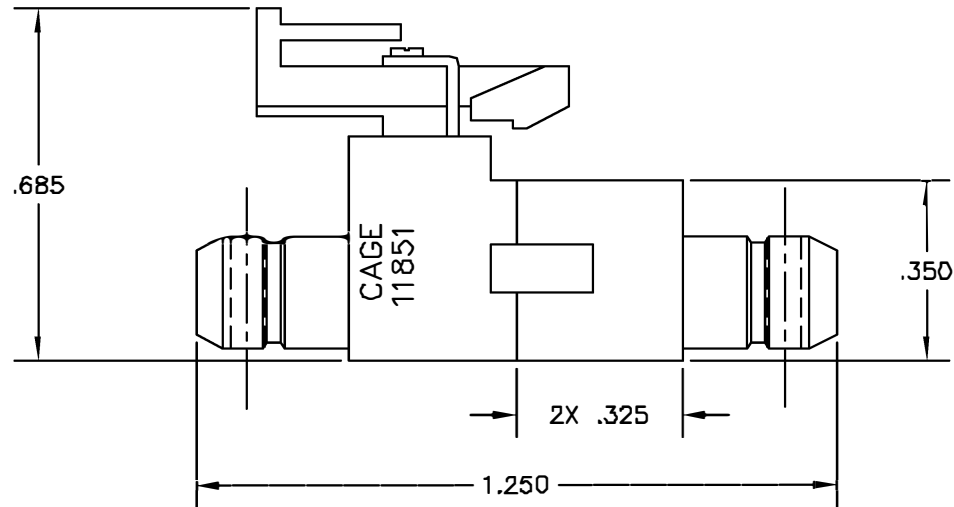



REVISIONS				
REV. STA.	ENG. NUMBER	DESCRIPTION	BY DATE	APP'D DATE
1		ORIGINAL RELEASE	JWJ 5/14/99	RRR 5/14/99



**UNCONTROLLED DOCUMENT  
WILL NOT BE UPDATED**

RESTRICTED & CONFIDENTIAL		MATERIAL	ITEM	PART NO.	QTY.	DESCRIPTION/REMARKS	
CONFIDENTIAL PROPERTY OF DANIELS MANUFACTURING CORP. NOT TO BE DISCLOSED TO OTHERS, REPRODUCED OR USED FOR ANY OTHER PURPOSE, EXCEPT AS AUTHORIZED IN WRITING BY DANIELS MANUFACTURING. MUST BE RETURNED TO DANIELS MANUFACTURING CORP. ON COMPLETION OF ORDER OR OTHER PURPOSE FOR WHICH INTENT.		HEAT TREAT	DRN	J. JOYCE	DATE 8/16/99	 DANIELS MANUFACTURING CORP. ORLANDO, FLORIDA CAGE 11851	
			CHK'D.	RRR	DATE 8/16/99		
			APPR'D.		DATE	TITLE	DIE SET ENVELOPE DRAWING (M22520/10-101)
			APPR'D.		DATE	WHERE USED:	
DO NOT SCALE DRAWING		FINISH				SIZE B SCALE 4/1 CND P/N X511-ENV SHEET OF 1 POSTING P/N X511-ENV REV. 1	

# Mouser Electronics

Authorized Distributor

Click to View Pricing, Inventory, Delivery & Lifecycle Information:

[Daniels Manufacturing:](#)

[X511](#)