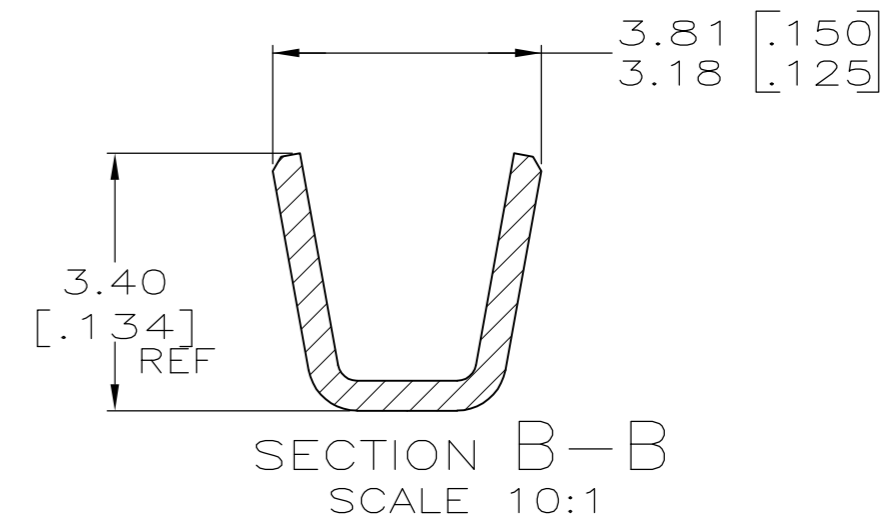
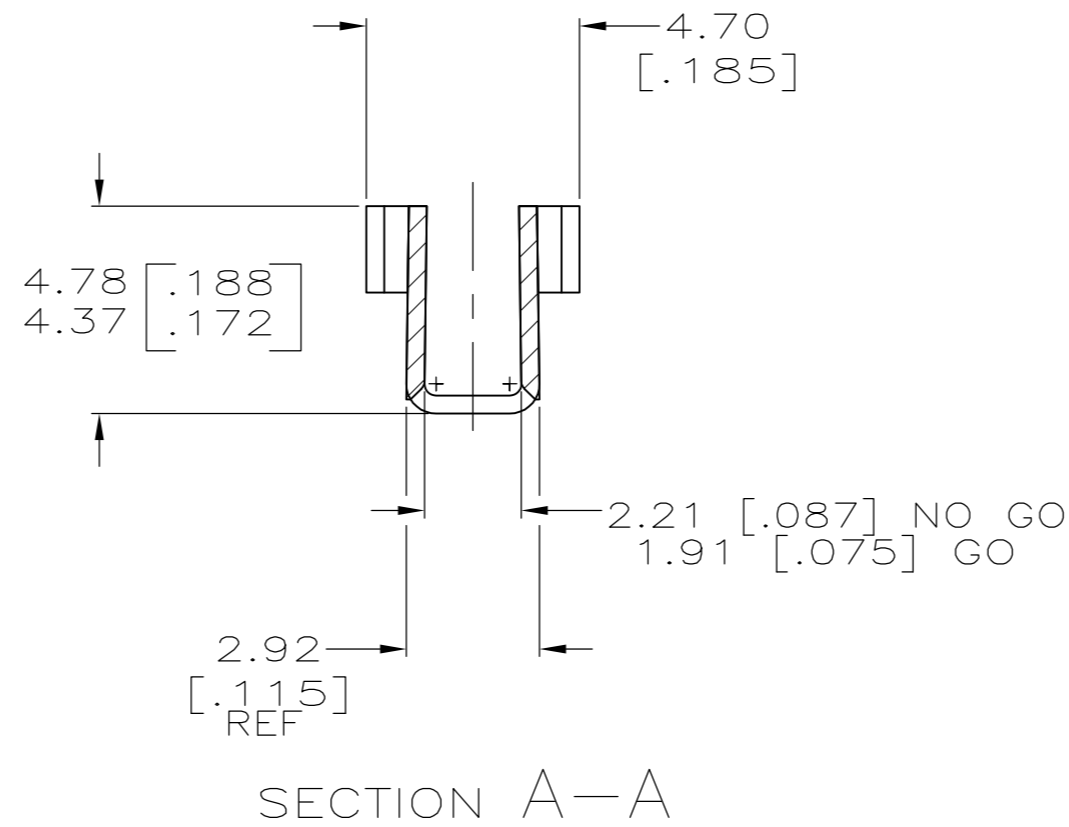
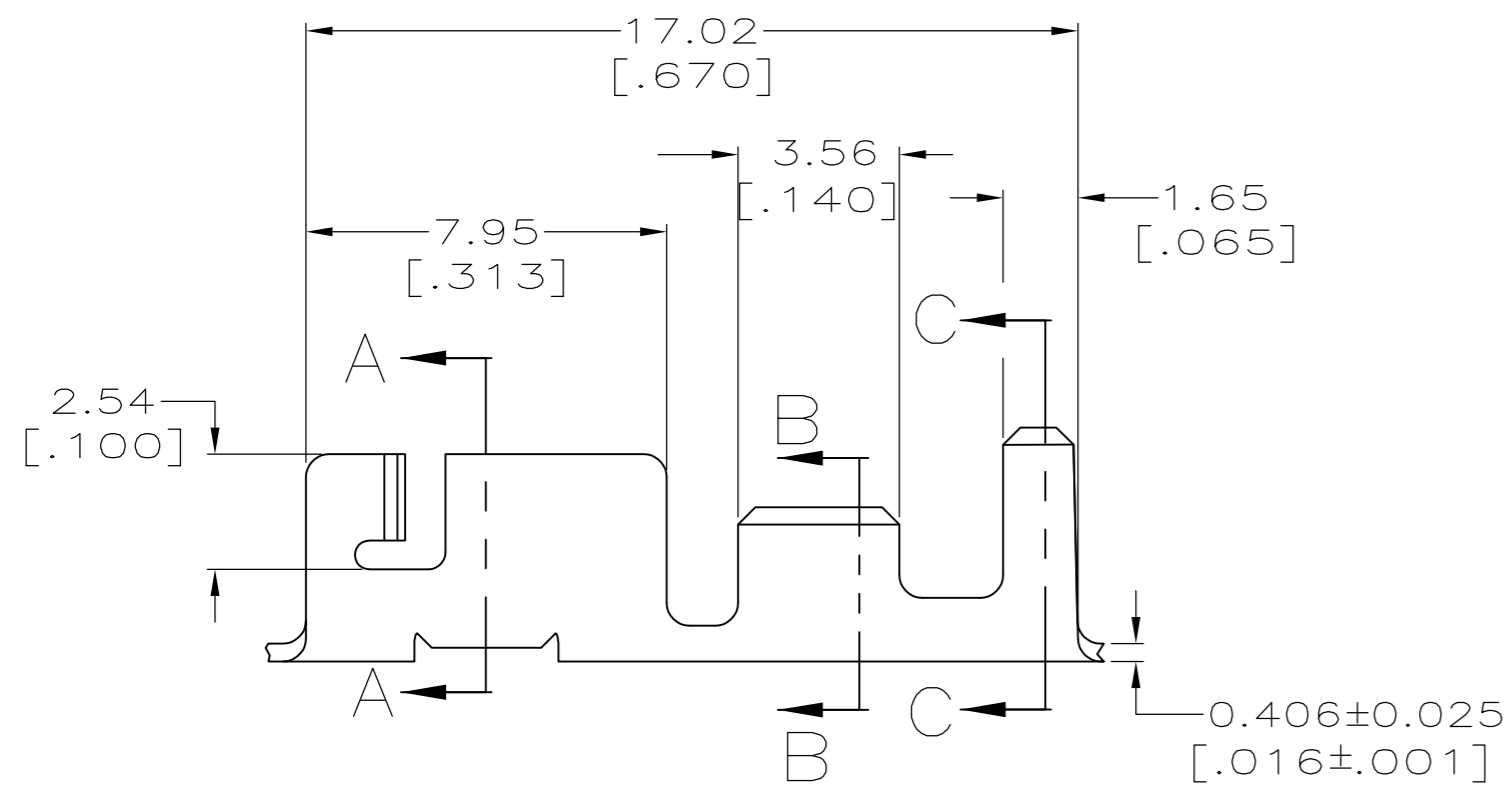
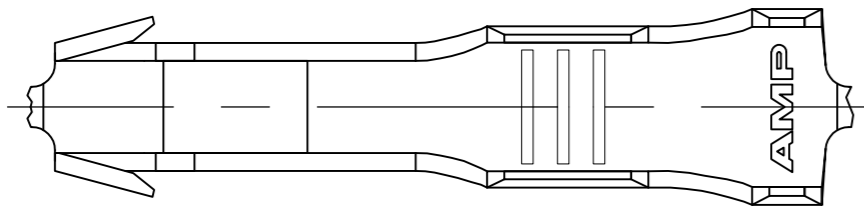


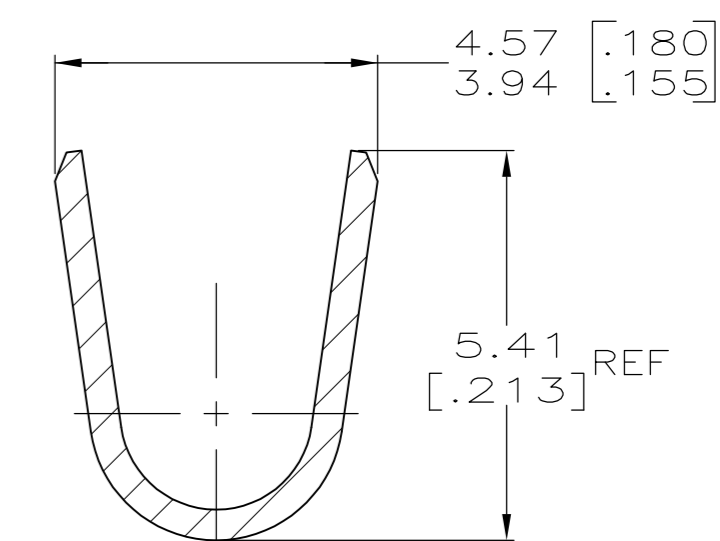
THIS DRAWING IS UNPUBLISHED. RELEASED FOR PUBLICATION
 © COPYRIGHT - By - ALL RIGHTS RESERVED.

LOC		DIST		REVISIONS			
P	LTR	DESCRIPTION		DATE	DWN	APVD	
AF	50	E		REVISED PER ECR-12-016352	16NOV12	KH	GJ

- 1 CONTINUOUS STRIP ON REELS WITH TERMINALS LOCATED ON 18.67±0.08 [.735±.003] CENTERS.
- 2 PRODUCT SPEC DOES NOT APPLY TO PART NUMBER 1217264-2.
- △ PRELIMINARY - NOT FOR PRODUCTION.



SECTION B-B
SCALE 10:1



SECTION C-C
SCALE 10:1

TYPE	WIDTH	STRIP LENGTH ±0.38 ±0.15	TYPE	WIDTH	WIRE	
					±.051 [±.002] HEIGHT	WIRE
F OR O	3.3 [.130]	4.37 [.172]	F	2.54 [.100]	1.30 [05]	0.35 mm ² [22]
					1.35 [053]	0.5 mm ² [20]
					1.45 [057]	0.75 mm ² [18]
					1.63 [064]	1.5 mm ² [16]
					1.85 [073]	2.0 mm ² [14]
INSUL BARREL CRIMP			WIRE BARREL CRIMP			

H02 CU-FE, C19500	2.03-3.81 [.080-.150] DIA	#22-#14 AWG	△ 1217264-2
H03 TIN-BRASS	2.03-3.81 [.080-.150] DIA	#22-#14 AWG	1217264-1
MATERIAL	INSULATION RANGE	WIRE BARREL	PART NUMBER

THIS DRAWING IS A CONTROLLED DOCUMENT.		DWN MICHAEL S. FEHER 09NOV1999	TE Connectivity	
		CHK PETE DESANTIS 12NOV1999		
		APVD ALEX HUNT III 12NOV1999	NAME	
DIMENSIONS: mm [INCHES]		TOLERANCES UNLESS OTHERWISE SPECIFIED: 0 PLC ± - 1 PLC ± - 2 PLC ± 0.25[.010] 3 PLC ± - 4 PLC ± - ANGLES ± -	RECEPTACLE, CLUSTER PIN, 2.29 [.090] DIA	
MATERIAL SEE TABLE		FINISH POST TIN	PRODUCT SPEC 108-2008 △ 2 APPLICATION SPEC 114-2019	SIZE A2
		WEIGHT -	CAGE CODE 00779	DRAWING NO C=1217264
		CUSTOMER DRAWING	SCALE 6:1	SHEET 1 of 1
			RESTRICTED TO -	REV E

Mouser Electronics

Authorized Distributor

Click to View Pricing, Inventory, Delivery & Lifecycle Information:

[TE Connectivity:](#)

[1217264-1](#)