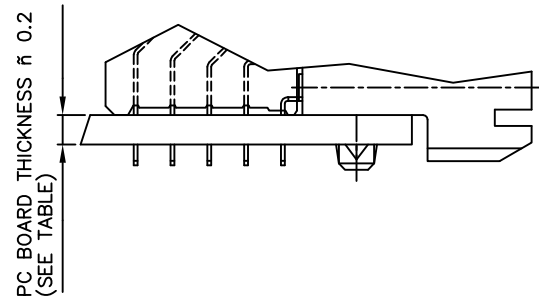
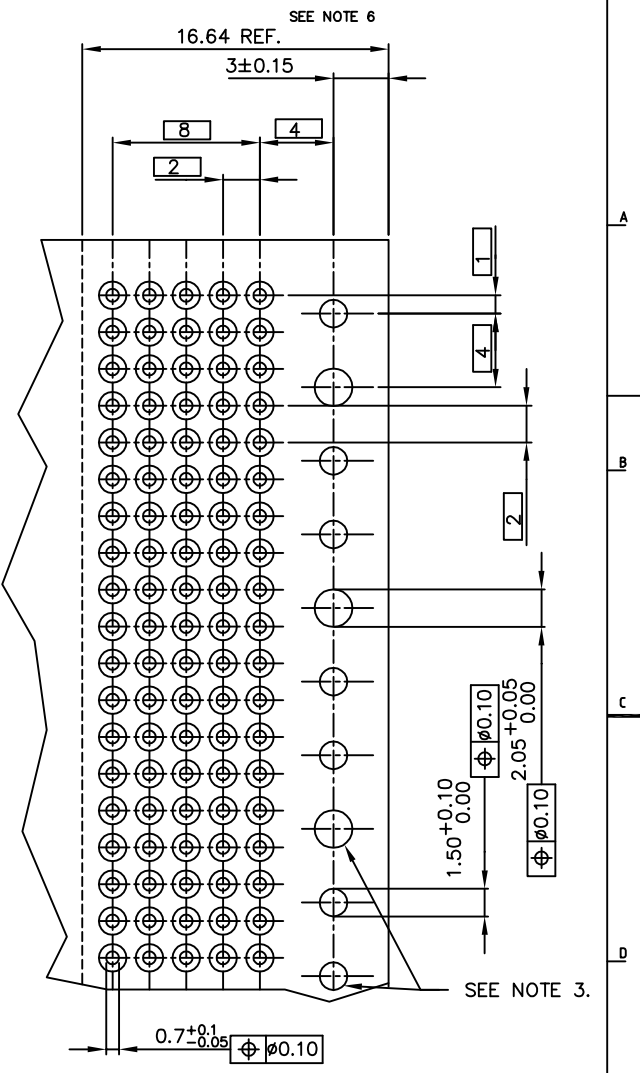
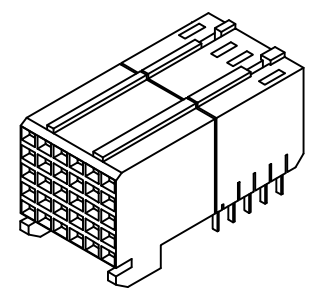
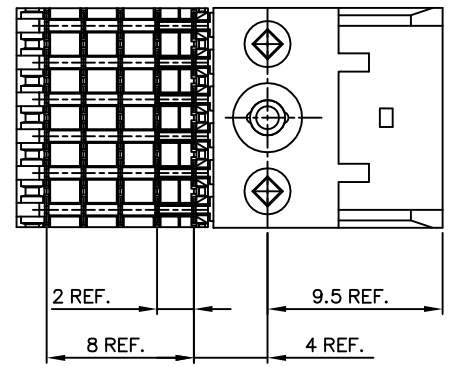
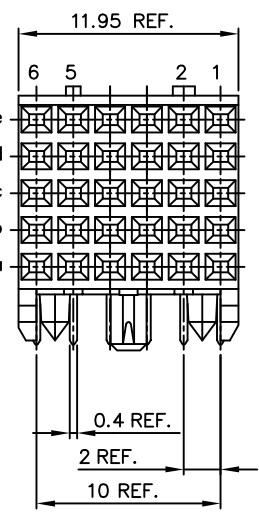
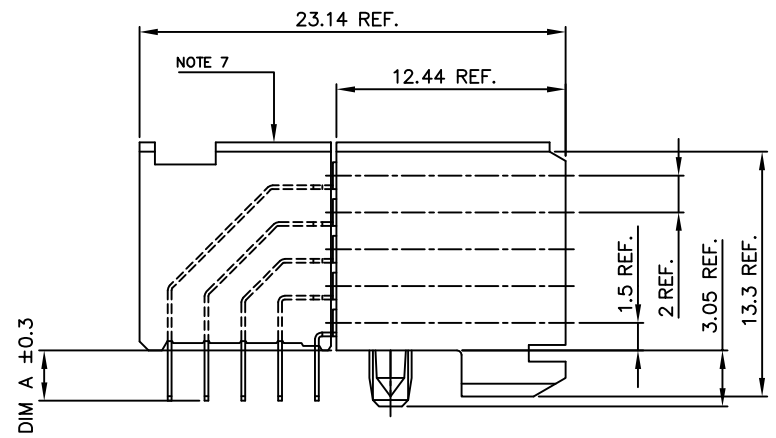


PLATING CONTACT AREA:	
DASH NR:	PERFORMANCE LEVEL
-1YY/1YYLF	TELCORDIA CO
-2YY/2YYLF	CUSTOMER SPECIAL
-3YY/3YYLF	CUSTOMER SPECIAL

PC BOARD VERSIONS			LOADING CONFIGURATION
PRODUCT NR:	PCB THICKNESS	DIM A	FULLY LOADED
85863-X02/X02LF	1.6	2.90	
85863-X12/X12LF	2.4	3.53	

* SPECIFY LOADING P/N SEE PAGE 2



- NOTES:
- BODY MAT'L: LIQUID CRYSTAL POLYMER 30% GLASS
FLAME RETARDANT ACC. UL 94-V0
 - TERMINAL MATERIAL: PHOSPHOR BRONZE.
 - INDICATED HOLES ARE UNPLATED.
 - PLATING SOLDER TAILS 2-8 μ m SnPb 90-97 OR 2-8 μ m PURE Sn
 - PRODUCT MARKING: PART NUMBER & BATCH ID.
 - SET BACK FOR TAIL BLOCK
 - TOP SURFACE OF PRESS BLOCK MAY EXTEND UP TO 0.4MM HIGHER THAN HOUSING. THIS MAY AFFECT THE TAIL LENGTH BEFORE APPLICATION TO A BOARD.
 - THIS PRODUCT MEETS EUROPEAN UNION DIRECTIVES AND OTHER COUNTRY REGULATIONS AS DESCRIBED IN GS-22-008
 - THE HOUSING WILL WITHSTAND EXPOSURE TO 260DEGREE PEAK TEMPERATURE FOR 10 SECONDS IN A WAVE SOLDER APPLICATION.

RECOMMENDED HOLE PATTERN, COMPONENT SIDE.

mat'l. code		tolerances unless otherwise specified		CUSTOMER COPY		ELECTRONICS www.fciconnect.com	
ltr	ecn no	dr	date	linear	projection	file	5 ROW R.A. S.T.B. SIGNAL RECEPT. 12 mm MOD.PP
H	06-012848	dr	09/06/12	linear	mm	product family	METRAL (tm)
D	0604-0104	Clu	041222	dr	R. VISSCHERS	941005	code
E	0607-0169	Cent	05/15/07	engr	E. FELJEN	941005	size
F	0608-0171	TER	8/26/08	chr	E. FELJEN	941005	dwg no
G	0609-0068	Cent	06/06/08	app	E. FELJEN	941005	scale
sheet	revision	H	H				5:1
index	sheet	1	2				A2
							85863
							213
							sheet 1 of 2

The data furnished herein is for information only. It is not intended to be used as a substitute for the original drawing. The user is responsible for verifying the accuracy of the data. FCI Electronics reserves the right to change the data without notice.


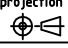


PRODUCT NO	PCB THICKNESS	DIM "A"	ROW	6	5	4	3	2	1
85863-X03 85863-X03LF	1.6	2.90	E	X	X	X	-	X	X
			D	X	X	X	-	X	X
			C	X	X	X	X	-	-
			B	X	X	X	-	X	X
			A	X	X	X	-	X	X

LOAD PATTERN	
X	LOADED
-	NOT LOADED

The data disclosed herein is the property of FCI b.v. and is not to be disclosed to any other party without the written consent of FCI b.v.

All rights are reserved. Reproduction or use in any form without the written consent of FCI b.v. is prohibited.

mat'l. code		tolerances unless otherwise specified		CUSTOMER COPY		 www.fciconnect.com	
ltr	ecn no	dr	date	linear	projection	title	
H				angles		5 ROW R.A. S.T.B. SIGNAL RECEPT. 12 mm MOD.PP	
		dr	R. VISSCHERS 941005	mm	product famil	METRAL (tm)	code
		engr	E. FEIJEN 941005	scale	size	dwg no	213
		chr	E. FEIJEN 941005	5:1	A2	85863	sheet
		app	E. FEIJEN 941005				2 of 2
sheet index	revision sheet						

Mouser Electronics

Authorized Distributor

Click to View Pricing, Inventory, Delivery & Lifecycle Information:

[FCI / Amphenol:](#)

[85863-102LF](#) [85863-112LF](#) [85863-103LF](#)