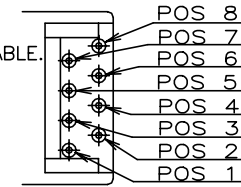


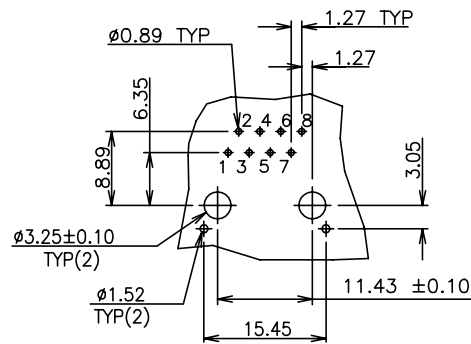
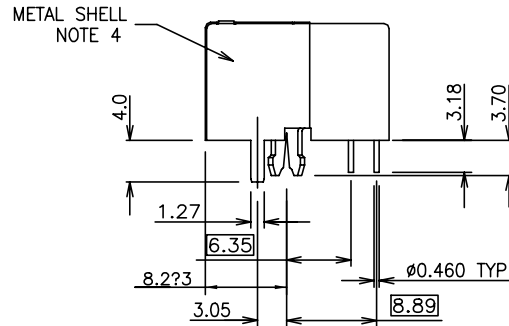
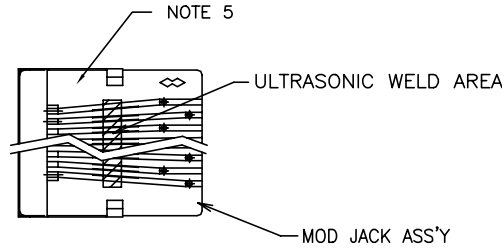
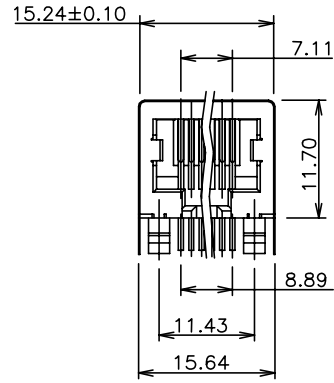
PRODUCT NO	NUMBER OF POS.	LOADED POSITION	LEAD FREE OPTION	COLOR
92250-X88	8	ALL POS.	NOTE 6 & 8	BLACK
92250-X86		2,3,4,5,6,7		
92250-X84		3,4,5,6		
92250-X88G		ALL POS.		GRAY

NOTE: PLEASE CHECK FOR AVAILABILITY, NOT ALL OPTIONS AVAILABLE.



POS. NO. CONFIGURATION

PLATING CODE X	PLATING
0	5u" Au + high performance lubricant
1	15u" GXT
3	5u" Au + high performance lubricant
5	50u" GXT



P.C.B. HOLE PATTERN VIEWED FROM TOP.

NOTES:

- RECOMMENDED P.C.B THICKNESS 1.60 MM
- HOUSING MAT'L: NYLON 6/6, 25% GLASS REINFORCED,
- CONTACTS: PHOS BRONZE ALLOY UNS-C51000, Ø 0.460 ROUND WIRE, PLATING SEE TABLE.
- SHIELDING MATERIAL:
0.25 [0.010] THICK BRASS ALLOY 2.54µ/100?
TIN-LEAD PLATED, OVER 1.02µ/40? MIN NICKEL UNDERPLATING
PER BUS-15-002/M.
LEAD FREE OPTION:
0.25 [0.010] THICK BRASS ALLOY 2.03µ/80?
TIN PLATED, OVER 1.02µ/40? MIN NICKEL UNDERPLATING
PER BUS-15-002/M.
- COMPANY LOGO LOCATED IN THIS AREA.
- ADD LF SUFFIX AT THE END OF PART NUMBER FOR LEAD FREE OPTION.
- THE HOUSING WILL WITHSTAND EXPOSURE TO 260°C PEAK TEMPERATURE FOR 15 SECONDS IN A WAVE SOLDER APPLICATION WITH A 1.5mm MINIMUM THICK CIRCUIT BOARD. SEE APPLICATION NOTES/PROCEDURES IF THEY ARE AVAILABLE.
- THIS PRODUCT MEETS EUROPEAN UNION DIRECTIVES AND OTHER COUNTRY REGULATION AS DESCRIBED IN GS-22-008.
- PLATING OPTIONS:
MAY BE EITHER GOLD OR GXT PLATED AT MANUFACTURER'S OPTION.
- EQUIVALENT THICKNESS Au AND GXT PLATING HAVE SAME FUNCTION AND THEY ARE ALTERNATIVE BY THE CUSTOMER.

mat'l. code		surface <input checked="" type="checkbox"/> ISO1302		tolerance <input checked="" type="checkbox"/> ISO1101 <input checked="" type="checkbox"/> ISO406		projection <input checked="" type="checkbox"/> <input type="checkbox"/> <input type="checkbox"/>		product family	
l t r e c n n o d r		date		tolerances unless otherwise specified		mm		MOD JACK	
K	N06-256	WG	12/05/06	angle	0.X±0.3	scale 1.0		LOW PROFILE PCB III	
L	N08-0097	SH	09/24/08	0°±2'	0.XX±0.15			8 POS SHIELDED M/J	
M	ELX-N-010688	SH MNO	3/14/12		0.XXX±0.05			dwg no	
				dr		K.CHEN		6/27/92	
				enr		TONY CHEN		6/27/92	
				chr		TONY CHEN		6/27/92	
				appd		JENN TSAO		6/27/92	
sheet index		revision sheet		M				type Product Customer Drawing	
		1						92250 A4	

Mouser Electronics

Authorized Distributor

Click to View Pricing, Inventory, Delivery & Lifecycle Information:

[FCI / Amphenol:](#)

[92250-088LF](#) [92250-088GLF](#) [92250-588LF](#) [92250-188LF](#)