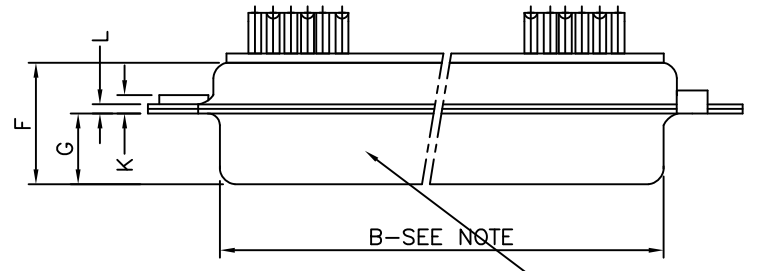
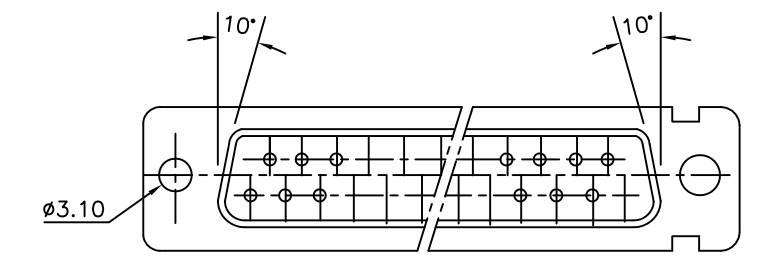


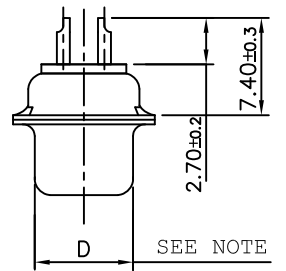
LAY OUT OF 50P CONNECTOR



Part No.& Date code printing



VIEW OF MATING FACE



TECHNICAL SPECIFICATIONS

SHELLS	:	MATT TIN / ZINC PLATED STEEL
INSULATOR MATERIAL	:	SELF EXTINGUISHING THERMOPLASTIC - UL CLASS 94 V0 THE HOUSING WILL WITHSTAND EXPOSURE TO 260-265°C IF WE USE PROTECTIVE ADHESIVE (type Kapton or Teflon) OR PROTECTIVE METALLIC DEVICE
CONTACTS DIA ON ACTIVE AREA	:	Ø1 MM.
CONTACTS MATERIAL	:	COPPER ALLOY
CONTACT PLATING	:	GXT / GOLD OVER NICKEL (ACTIVE ZONE) TIN OVER NICKEL (TERMINATION ZONE)
FOR LEAD FREE PLATING	:	2 µMIN. TIN TOP OVER 1.27 µ MIN.NICKEL UNDER PLATE(ON TERMINATION ZONE)
OPERATING TEMPERATURE	:	-55°C +125°C
OPERATING CURRENT	:	5 A PER CONTACT
CONTACT RESISTANCE	:	≤10m Ω
INSULATION RESISTANCE	:	≥5000M Ω
MAXIMUM VOLTAGE	:	1000 V.r.m.s
MECHANICAL ENDURANCE	:	200 MATINGS (For 64 code) 500 MATINGS (For 65 code).
DAMP HEAT	:	21 DAYS.
WIRE SIZE	:	0.6 MM ² (AWG 20) MAX.

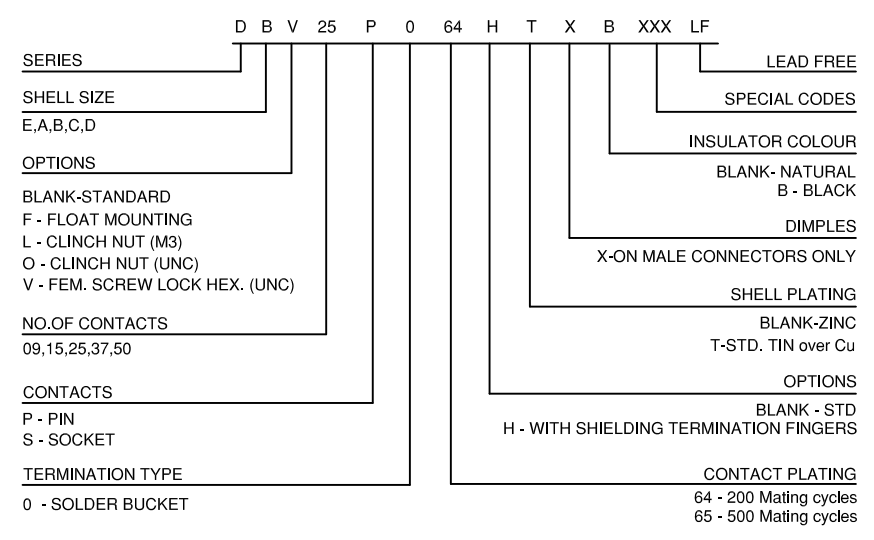
50	P	66.65	52.68	61.11	11.08	14.99	11.09	5.85	55.07	13.31	1.50	1.0
	S	66.65	52.30	61.11	10.62	14.99	11.21	6.05	55.07	13.31	1.10	0.8
37	P	68.94	55.30	63.50	8.23	12.17	11.09	5.85	57.45	10.46	1.50	1.0
	S	68.94	54.71	63.50	7.77	12.17	11.21	6.05	57.45	10.46	1.10	0.8
25	P	52.65	38.84	47.04	8.23	12.17	11.07	5.85	41.02	10.46	1.10	0.8
	S	52.65	38.25	47.04	7.77	12.17	11.21	6.05	41.02	10.46	1.10	0.8
15	P	38.76	25.12	33.32	8.23	12.17	10.99	5.85	27.25	10.46	1.10	0.8
	S	38.76	24.54	33.32	7.77	12.17	11.21	6.05	27.25	10.46	1.10	0.8
09	P	30.43	16.79	24.99	8.23	12.17	10.99	5.85	19.02	10.46	1.10	0.8
	S	30.43	16.21	24.99	7.77	12.17	11.21	6.05	19.02	10.46	1.10	0.8
SHELL SIZE	A	+0,76	+0,25	±0,12	+0,25	+0,76	F MAX	+0,15	+0,51	+0,51	±0,2	+0,22
	B	0	0	C	D	E	0	G	0	H	0	J

NOTE:- 1) INSIDE DIMENSIONS OF THE MALE AND OUTSIDE DIMENSIONS OF THE FEMALE CONNECTOR
2) ALL ACCESSORIES SHOWN IN ASSEMBLY OPTIONS SHOULD BE ORDERED SEPARATELY

ASSEMBLY OPTIONS

<p>FEMALE SCREW LOCK EXTENDED TYPE</p> <p>ORD CODE 8630-01-061</p>	<p>FEMALE SCREW LOCK EXTERNAL THREAD</p> <p>INTERNAL THREAD</p> <table border="1"> <tr> <td>8630-01LF</td> <td>M3</td> <td>M3</td> </tr> <tr> <td>8630-01ALF</td> <td>M3</td> <td>4-40 UNC 2B</td> </tr> <tr> <td>8630-01BLF</td> <td>4-40 UNC 2A</td> <td>4-40 UNC 2B</td> </tr> <tr> <td>8630-01CLF</td> <td>4-40 UNC 2A</td> <td>M3</td> </tr> </table> <p>ORD-CODE EXTERNAL THREAD INTERNAL THREAD</p>	8630-01LF	M3	M3	8630-01ALF	M3	4-40 UNC 2B	8630-01BLF	4-40 UNC 2A	4-40 UNC 2B	8630-01CLF	4-40 UNC 2A	M3
8630-01LF	M3	M3											
8630-01ALF	M3	4-40 UNC 2B											
8630-01BLF	4-40 UNC 2A	4-40 UNC 2B											
8630-01CLF	4-40 UNC 2A	M3											
<p>MALE LEVER LOCK</p> <p>ORD CODE 8630-3427(EABC) ORD CODE 8630-3428(D)</p>	<p>CONNECTOR WITH SPECIAL RIVETTED FEMALE SCREW LOCK</p> <p>6.4 MAX</p> <p>PREFIX: V UNC 4-40,2B THREAD</p>												
<p>CLINCH NUT</p> <p>PREFIX: O - UNC4-40 L - M3</p>	<p>WITH SHIELDING TERMINATION FINGERS</p> <p>OPTION: H</p>												
	<p>FEMALE LEVER LOCK</p> <p>ORD CODE 8630-3425(EABC) ORD CODE 8630-3426(D)</p>												

ORDERING INFORMATION



"This LF product meets European Union Directives and other country regulations as described in GS-22-008"
Packaging as per GS-14-920
Housing will withstand exposure to 260°C peak temp for 3.5sec

mat'l. code	SEE NOTE 4	surface	ISO 1302	tolerance	ISO 406 ISO 1101	projection	product family	D-SUB
ltr	ecn no	dr	date	tolerances unless	otherwise specified	MM	title	D- SUB SOLDER BUCKET CONNECTOR (WITH ASSEMBLY OPTIONS)
N	I11-0003	AMR	2011-01-06	angles	linear	0°±1°	scale	-
H	I07-0175	MRA	2007-12-17					
J	I08-0131	MRA	2008-10-06	dr	GEORGE.V.JOSEPH	1999-03-20	dwg no	sheet 1 of 1 size 5
K	I09-0121	MRA	2009-07-01	enr	GEORGE.V.JOSEPH	1999-03-20	sheet	1 of 1 size A3
L	I09-0140	MRA	2009-07-14	chr	ABHILASH.M.R	2009-07-01	type	Product Customer Drawing
M	I09-0195	MRA	2009-09-18	appd	SUDHIR.VARMA	2009-07-01		
sheet index	revision	N						
	sheet	1						

Mouser Electronics

Authorized Distributor

Click to View Pricing, Inventory, Delivery & Lifecycle Information:

[FCI / Amphenol:](#)

[DA15P064LF](#) [DA15P065HTXLF](#) [DA15S064LF](#) [DA15S065HTLF](#) [DA15S364LF](#) [DA15S564LF](#) [DB25P064LF](#)
[DB25P065HTXLF](#) [DB25S064LF](#) [DB25S065HTLF](#) [DC37P064LF](#) [DC37P065HTXLF](#) [DC37S064LF](#) [DC37S065HTLF](#)
[DD50P064LF](#) [DD50P065TXLF](#) [DD50S064LF](#) [DD50S065TLF](#) [DE09P064LF](#) [DE09P065HTXLF](#) [DE09S064LF](#)
[DE09S065HTLF](#) [DA15P064TXLF](#) [DE09P064TXLF](#) [DB25S064TLF](#) [DD50P064TXLF](#) [DA15S064TLF](#)
[DA15P064HTXLF](#) [DA15P065TXLF](#) [DA15S064HTLF](#) [DA15S065TLF](#) [DB25P064HTXLF](#) [DB25P065TXLF](#)
[DB25S064BLF](#) [DB25S064HTLF](#) [DB25S065TLF](#) [DC37P064HTXLF](#) [DC37P065TXLF](#) [DC37S064HTLF](#)
[DC37S064TLF](#) [DC37S065TLF](#) [DD50S064TLF](#) [DE09P064HTXLF](#) [DE09P065TXLF](#) [DE09S064HTLF](#) [DE09S065TLF](#)
[DBP25S064TLF](#) [DEO09S064TLF](#) [DEV09P064TXLF](#) [DEV09S064TLF](#) [DAV15S064TLF](#) [DAV15P065TXLF](#)
[DE09S064TLF](#) [DB25P064TXLF](#) [DC37P064TXLF](#) [DEO09S065TLF](#) [DEO09P065TXLF](#) [DAO15S065TLF](#)
[DAO15S064TLF](#) [DEO09P064TXLF](#) [DDV50S065TLF](#) [DEL09P065TXLF](#) [DEV09P065TXLF](#)