

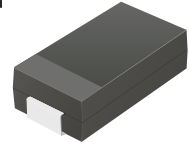
## CDBB2150-HF Thru. CDBB2200-HF

Reverse Voltage: 150 to 200 Volts

Forward Current: 2.0 Amp

RoHS Device

Halogen Free

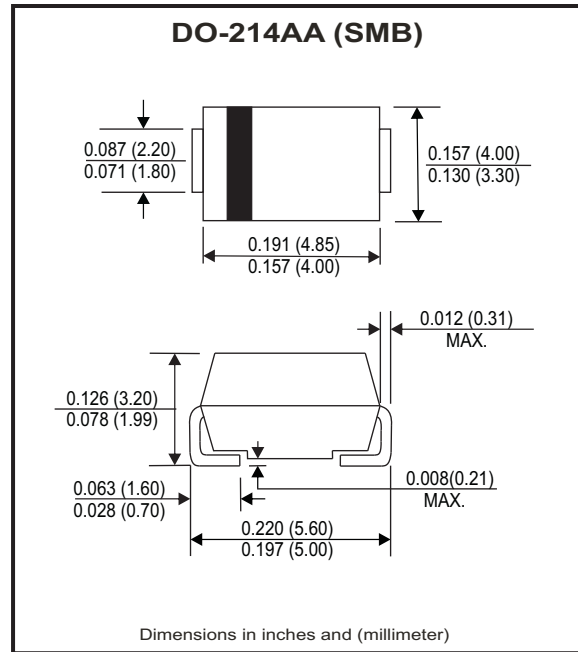


### Features

- Low Profile surface mount applications in order to optimize board space.
- Low power loss, high efficiency.
- High current capability, low forward voltage drop.
- High surge capability.
- Guard ring for overvoltage protection.
- Ultra high-speed switching.
- Silicon epitaxial planar chip, metal silicon junction.

### Mechanical data

- Epoxy: UL94-V0 rate flame retardant.
- Case: Molded plastic, DO-214AA / SMB
- Terminals: solderable per MIL-STD-750, method 2026.
- Polarity: Indicated by cathode band.
- weight: 0.091 grams



### Maximum Ratings and Electrical Characteristics

Ratings at  $T_a=25^{\circ}\text{C}$  unless otherwise noted.  
 Single phase, half wave, 60Hz, resistive or inductive loaded.  
 For capacitive load, derate current by 20% .

Parameter	Symbol	CDBB 2150-HF	CDBB 2200-HF	Unit
Max. repetitive peak reverse voltage	$V_{RRM}$	150	200	V
Max. DC blocking voltage	$V_{DC}$	150	200	V
Max. RMS voltage	$V_{RMS}$	105	140	V
Max. instantaneous forward voltage @ 2.0A, $T_A=25^{\circ}\text{C}$	$V_F$	0.87	0.90	V
Operating Temperature	$T_J$	-50 to +175		$^{\circ}\text{C}$

Parameter	Conditions	Symbol	MIN.	TYP.	MAX.	Units
Forward rectified current	see Fig.1	$I_o$			2.0	A
Forward surge current	8.3ms single half sine-wave superimposed on rate load (JEDEC method)	$I_{FSM}$			50	A
Reverse Current	$V_R = V_{RRM}$ $T_A=25^{\circ}\text{C}$	$I_R$			0.5	mA
	$V_R = V_{RRM}$ $T_A=100^{\circ}\text{C}$	$I_R$			20	mA
Thermal Resistance	Junction to ambient	$R_{\theta JA}$		50		$^{\circ}\text{C}/\text{W}$
Diode Junction capacitance	f=1MHz and applied 4V DC reverse Voltage	$C_J$		30		pF
Storage temperature		$T_{STG}$	-50		+175	$^{\circ}\text{C}$

Company reserves the right to improve product design , functions and reliability without notice.

REV: B

## RATING AND CHARACTERISTIC CURVES (CDBB2150-HF Thru. CDBB2200-HF)

Fig.1 - Typical Forward Current Derating Curve

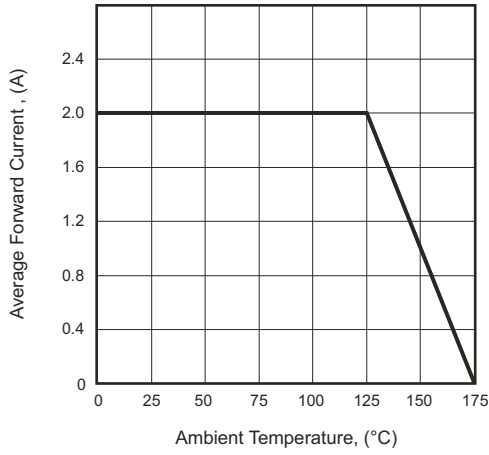


Fig.2 - Typical Forward Characteristics

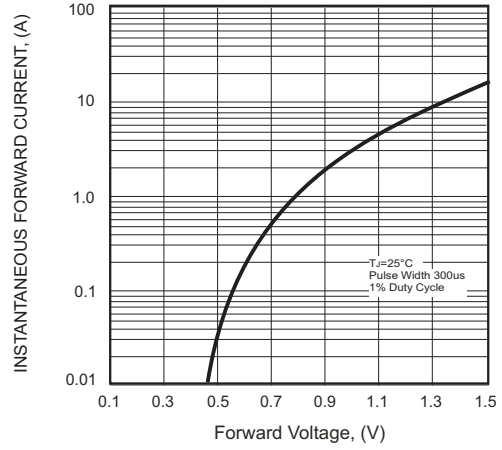


Fig.3 - Maximum Non-repetitive Forward Surge Current

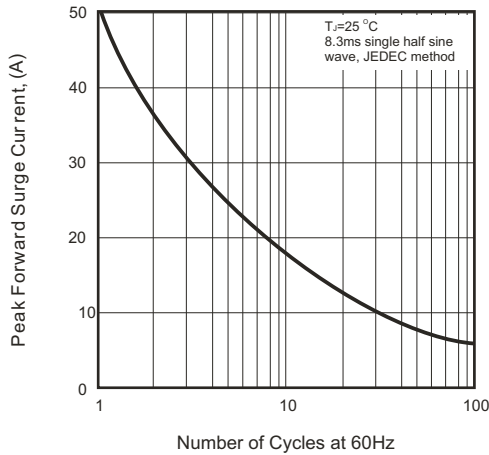


Fig.4 - Typical Junction Capacitance

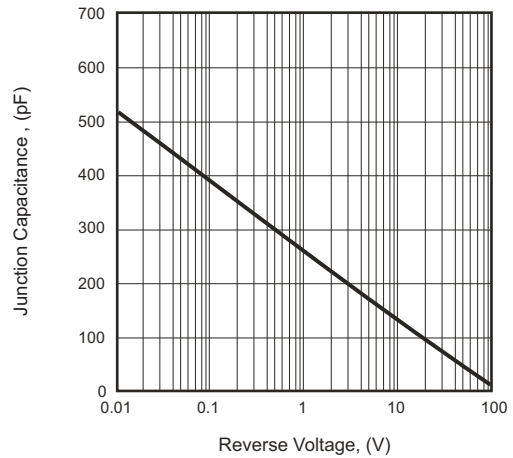
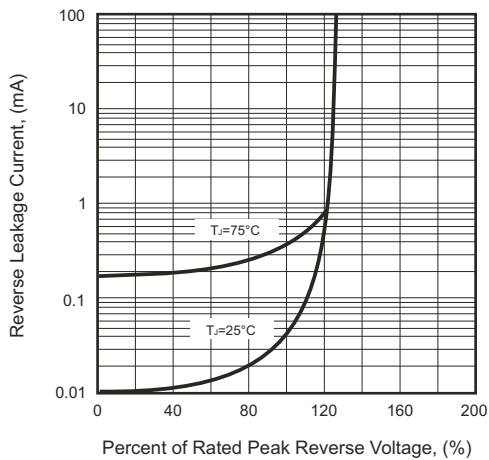
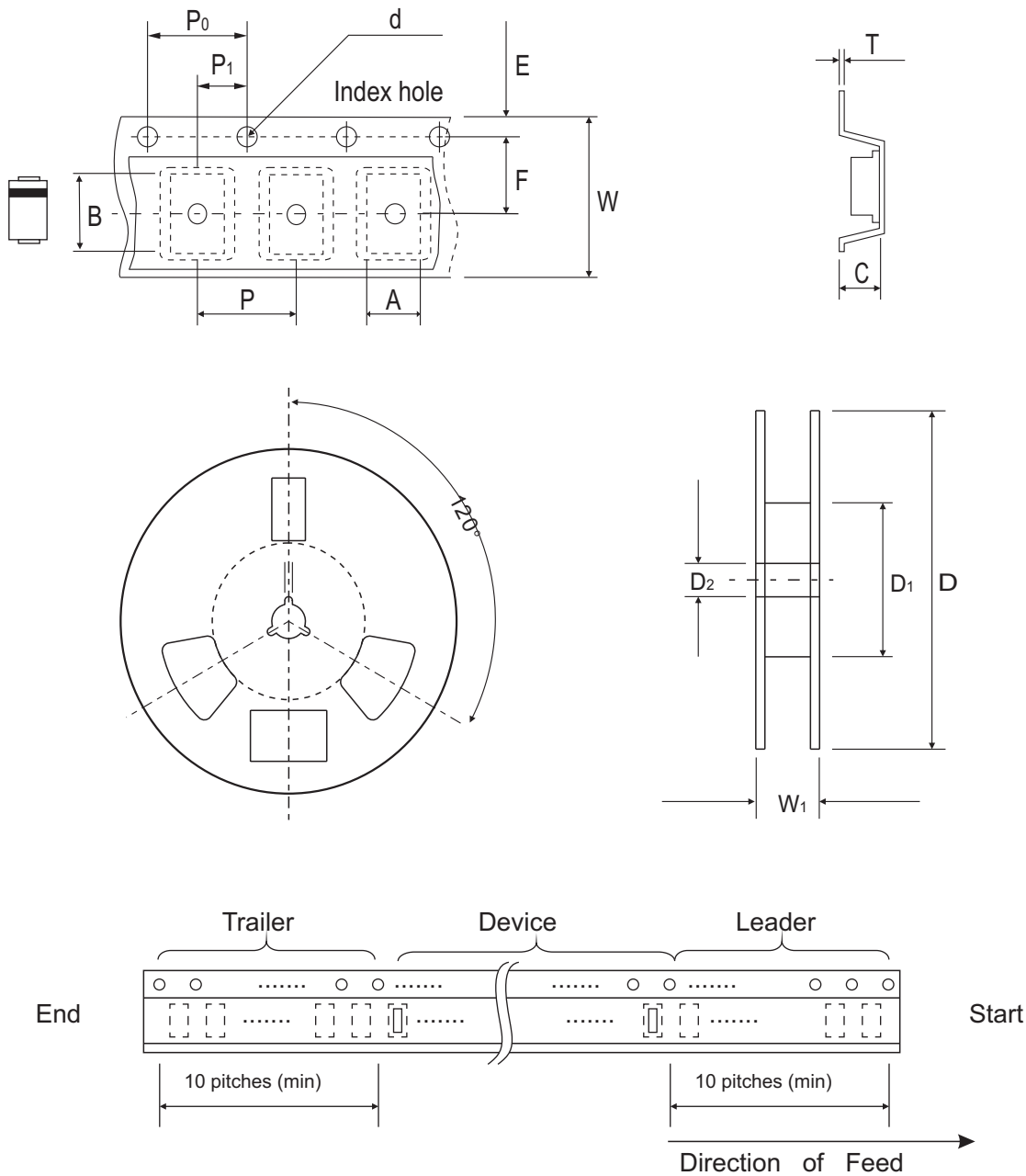


Fig.5 - Typical Reverse Characteristics



Company reserves the right to improve product design, functions and reliability without notice.

## Reel Taping Specification



DO-214AA (SMB)	SYMBOL	A	B	C	d	D	D1	D2
	(mm)	4.00 ± 0.10	5.90 ± 0.10	3.00 ± 0.10	1.50 ± 0.10	330 ± 2.00	50.0 MIN.	13.50 ± 0.50
	(inch)	0.157 ± 0.004	0.232 ± 0.004	0.118 ± 0.004	0.059 ± 0.004	12.99 ± 0.079	1.969 MIN.	0.531 ± 0.020

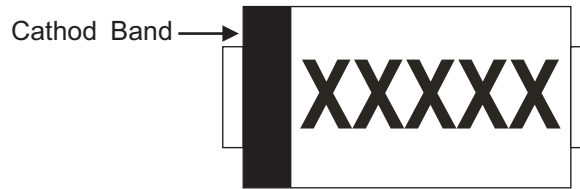
DO-214AA (SMB)	SYMBOL	E	F	P	P0	P1	T	W	W1
	(mm)	1.75 ± 0.10	5.50 ± 0.10	8.00 ± 0.10	4.00 ± 0.10	2.00 ± 0.10	0.60 ± 0.10	12.0 ± 0.30	18.4 ± 1.00
	(inch)	0.069 ± 0.004	0.217 ± 0.004	0.315 ± 0.004	0.157 ± 0.004	0.079 ± 0.004	0.236 ± 0.004	0.472 ± 0.012	0.724 ± 0.040

Company reserves the right to improve product design, functions and reliability without notice.

REV: B

## Marking Code

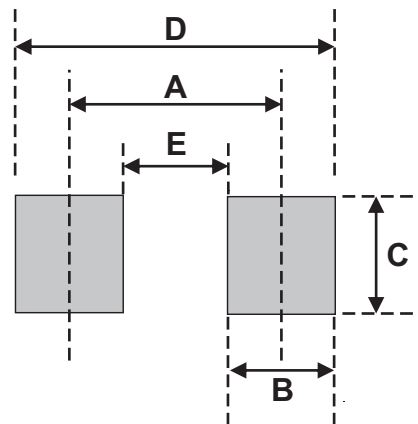
Part Number	Marking Code
CDBB2150-HF	SK215
CDBB2200-HF	SK220



xxxxx = Product type marking code

## Suggested PAD Layout

SIZE	DO-214AA (SMB)	
	(mm)	(inch)
A	4.30	0.169
B	2.50	0.098
C	2.30	0.091
D	6.80	0.268
E	1.80	0.071



## Standard Packaging

Case Type	REEL PACK	
	REEL ( pcs )	Reel Size (inch)
DO-214AA (SMB)	3,000	13

# Mouser Electronics

Authorized Distributor

Click to View Pricing, Inventory, Delivery & Lifecycle Information:

[Comchip Technology:](#)

[CDBB2200-HF](#)