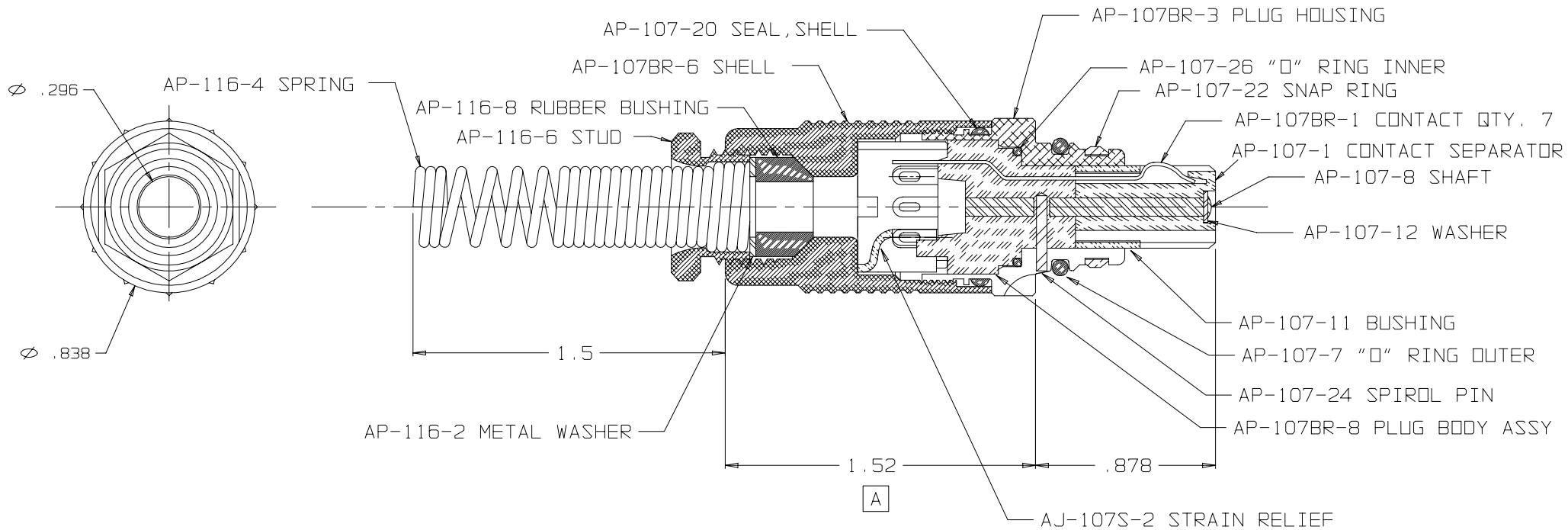


B AP-107BR

PROPRIETARY-NEXUS



THIS DOCUMENT CONTAINS PROPRIETARY INFORMATION OF NEXUS, INCORPORATED AND SUCH INFORMATION MAY NOT BE DISCLOSED TO OTHERS FOR ANY PURPOSE OR USED FOR ANY PURPOSE WITHOUT THE WRITTEN CONSENT OF NEXUS.

| | | | | | | | | | | | | | |
|---|-----------------|--|--------------|------|---------|------|------|----------|------|------|------|---|--|
| DWN. BY M.N.F. | DATE 9/11/96 | MATERIAL | | | | | | | | | | | |
| CHECKED BY L. SMITH | DATE 9/12/96 | FINISH | | | | | | | | | | | |
| APPR. BY L. SMITH | DATE 9/12/96 | WEIGHT | SCALE 2:1 | | | | | | | | | | |
| UNLESS OTHERWISE SPECIFIED DIMENSIONS ARE IN INCHES TOLERANCES ON FRACTIONS DECIMALS ANGLES | | TITLE SEVEN CONDUCTOR AUDIO PLUG WITH SPRING BEND RELIEF | | | | | | | | | | | |
| | | DO NOT SCALE DWG. | SHEET 1 OF 1 | | | | | | | | | | |
| <table border="1"> <tr> <td>A</td> <td>WAS 1.40</td> <td>0242</td> <td>9/23/96</td> <td>L.S.</td> </tr> <tr> <td>LET.</td> <td>REVISION</td> <td>CN #</td> <td>DATE</td> <td>CHK.</td> </tr> </table> | | A | WAS 1.40 | 0242 | 9/23/96 | L.S. | LET. | REVISION | CN # | DATE | CHK. | <p style="text-align: center;">NEXUS STAMFORD, CONN</p> <p>SIZE B DWG. NO. AP-107BR ASSEMBLY, B.O.M.</p> | |
| A | WAS 1.40 | 0242 | 9/23/96 | L.S. | | | | | | | | | |
| LET. | REVISION | CN # | DATE | CHK. | | | | | | | | | |

Mouser Electronics

Authorized Distributor

Click to View Pricing, Inventory, Delivery & Lifecycle Information:

[Amphenol:](#)

[AP-107BR](#)