

CUSTOMER PRINT

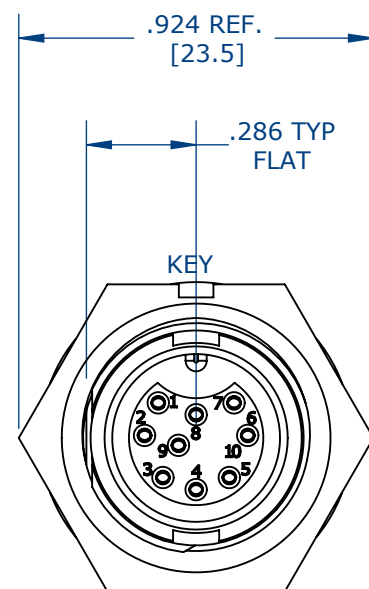
W7882-9SG-3XX

PART NUMBER:

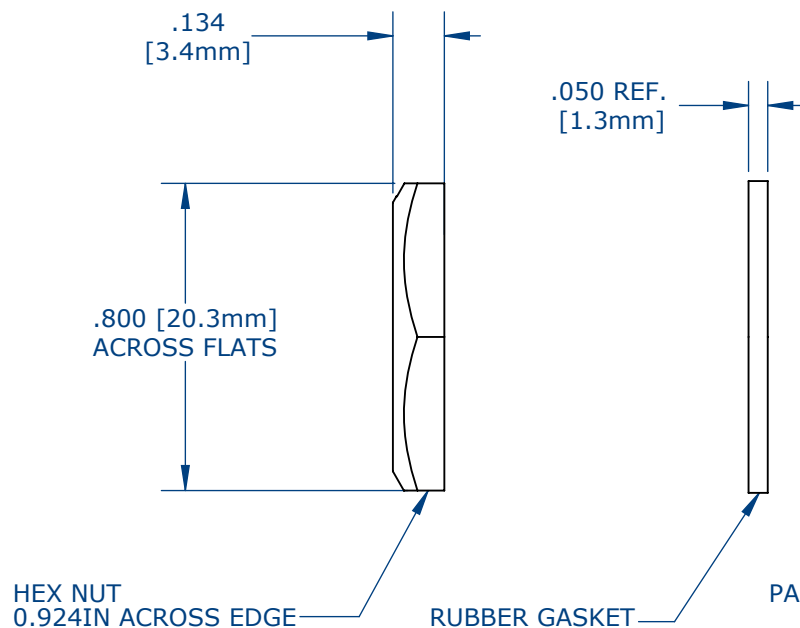
NOTES:

1. SOLDER CUP SOCKET CONTACTS ARE INSTALLED (SHOWN)
2. ALL DIMENSIONS ARE FOR REFERENCE.

| | |
|---------------|-------|
| ASS'Y P/N | EPOXY |
| W7882-9SG-300 | NO |
| W7882-9SG-3ES | YES |



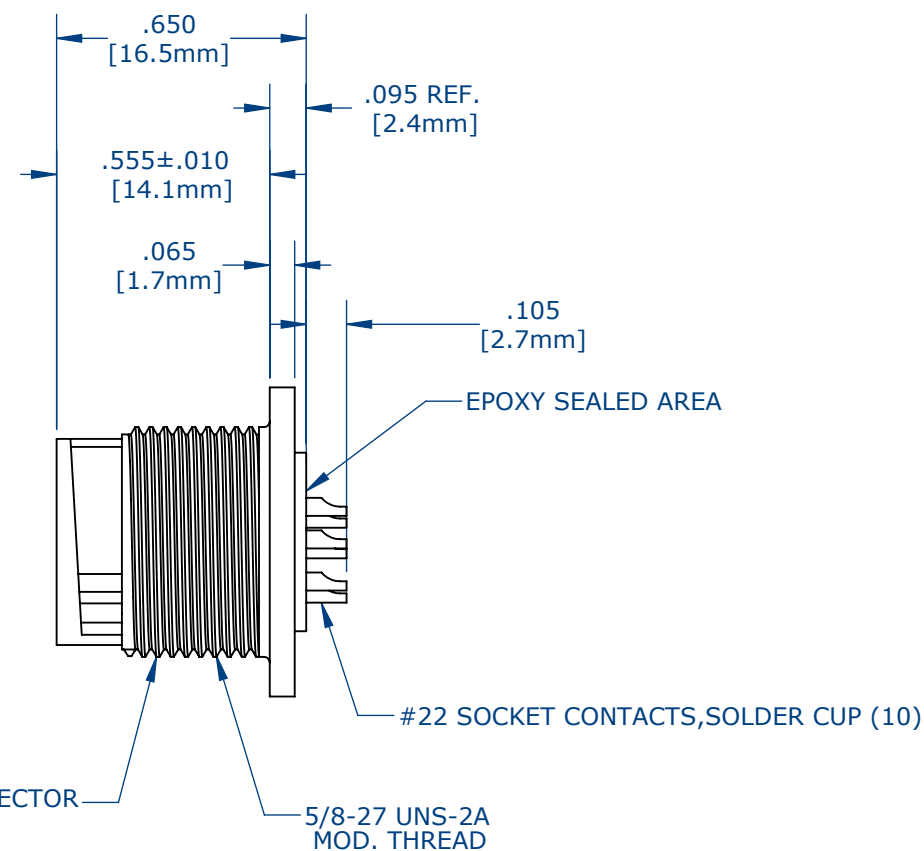
FACE VIEW
7882-9SG-300 SHOWN



HEX NUT
0.924IN ACROSS EDGE

RUBBER GASKET

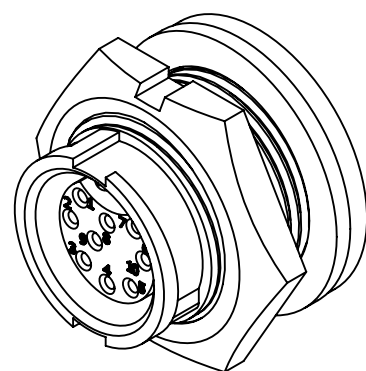
PANEL CONNECTOR



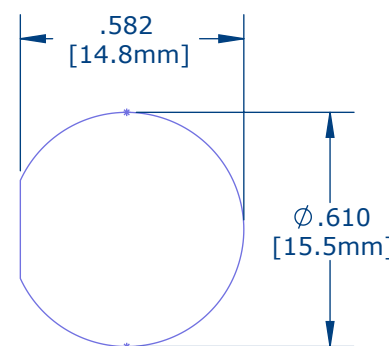
5/8-27 UNS-2A
MOD. THREAD

#22 SOCKET CONTACTS, SOLDER CUP (10)

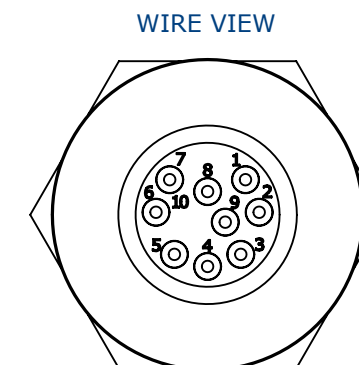
EPOXY SEALED AREA



ASSEMBLED VIEW
FOR CUSTOMER REFERENCE



RECOMMENDED
PANEL CUT-OUT
TOLERANCE: ±.003



WIRE VIEW

CUSTOMER APPROVAL

THIS DOCUMENT CONTAINS CONFIDENTIAL INFORMATION PROPRIETARY TO CONXALL CORPORATION. ANY REPRODUCTION, DISCLOSURE, OR USE OF THIS DOCUMENT /INFORMATION IS EXPRESSLY PROHIBITED UNLESS AUTHORIZED IN WRITING BY CONXALL CORPORATION.

APPROVED BY: _____
DATE: _____

RoHS COMPLIANT

CUSTOMER DRAWING

| | | | |
|---|------------|----------|---|
| 0A | AM | 08/10/16 | FIRST DRAWN |
| REV. | INIT. | DATE | DESCRIPTION |
| <small>ALL INFORMATION ILLUSTRATED IS THE PROPERTY OF "CONXALL CORPORATION." UNAUTHORIZED DUPLICATION OR DISTRIBUTION OF THIS DOCUMENT IS PROHIBITED.</small> | | | ORIG. DRAWN BY: AM DATE: 08/10/16 CHECKED BY: |
| <small>ALL UNITS ARE IN FEET, INCHES, FRACTION OF INCHES AND DECIMALS. UNLESS OTHERWISE SPECIFIED TOLERANCES: 3 PLACE DECIMALS ±.005 ANGLES ±1° FRACTIONS ±1/16 - CRITICAL CHARACTERISTIC FLAG PER SPEC. XXXX</small> | | | APPROVED BY: TITLE: PANEL CONNECTOR ASSEMBLY (9) #22, SOCKET CONTACTS, SOLDER MINI-CON-X CUSTOMER: STANDARD PRODUCT |
| SCALE | SIZE | SHEET | PART NUMBER: W7882-9SG-3XX REV 0A |
| NTS | B | 1 OF 1 | |
| FILE: | DIRECTORY: | SLW | |



601 E. WILDWOOD VILLA PARK, IL 60181

Mouser Electronics

Authorized Distributor

Click to View Pricing, Inventory, Delivery & Lifecycle Information:

[Switchcraft:](#)

[W7882-9SG-3ES](#) [W7882-9SG-300](#)