

DRAWING NO. C-142-0711-531/540

0 REVISIONS

ENGINEERING RELEASE

1 2-11-08 P A T R M J J C N 2-14-08
J B U S E C N 51389

UPDATED VIEWS, ADDED: ITEM 6, BOTTOM INSULATOR

2 4-29-09 P A T R M R J C N 4-29-09
J B U B E C N 51918

CUSTOMER DRAWING

THIS DRAWING TO BE INTERPRETED PER ASME Y 14.5M - 1994

"μSTATION"

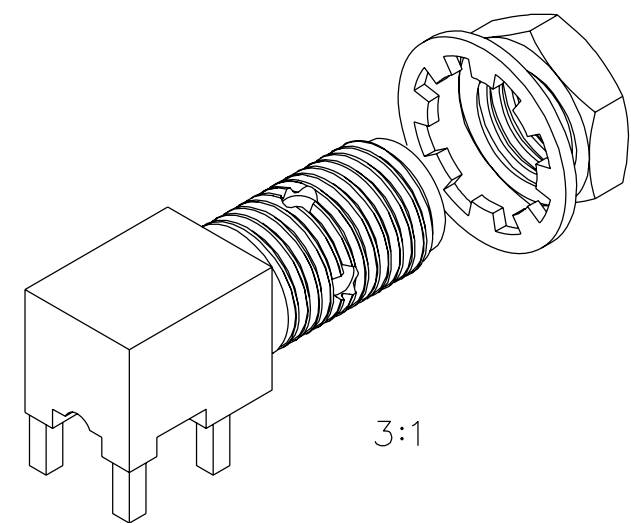
COMPANY CONFIDENTIAL

EMERSON
Network Power
Connectivity Solutions
P.O. Box 1732
Waseca, MN 56093
1-800-247-8256

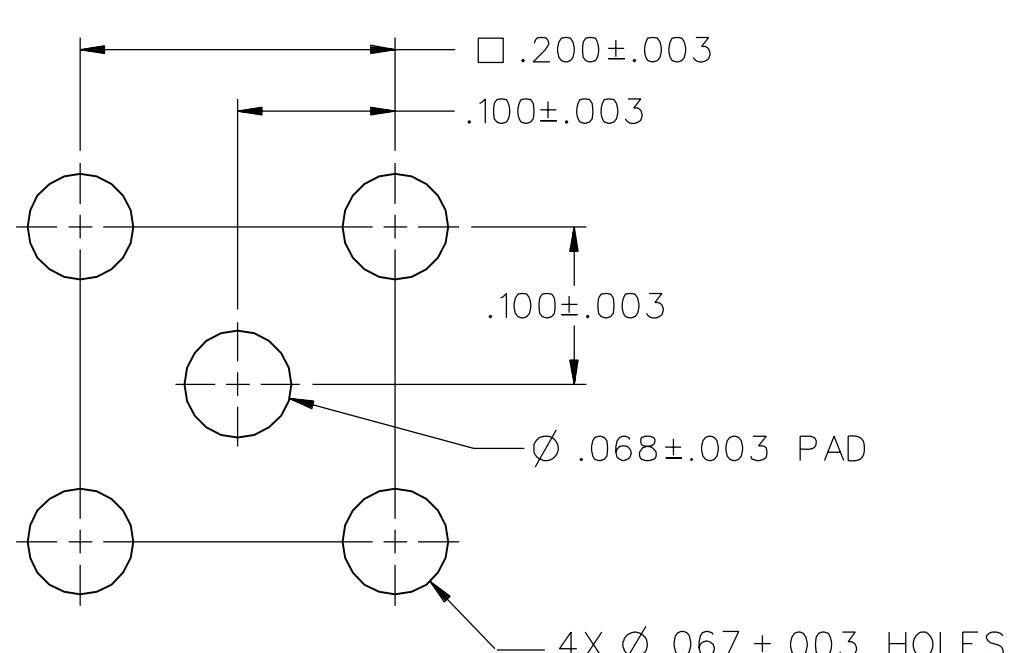
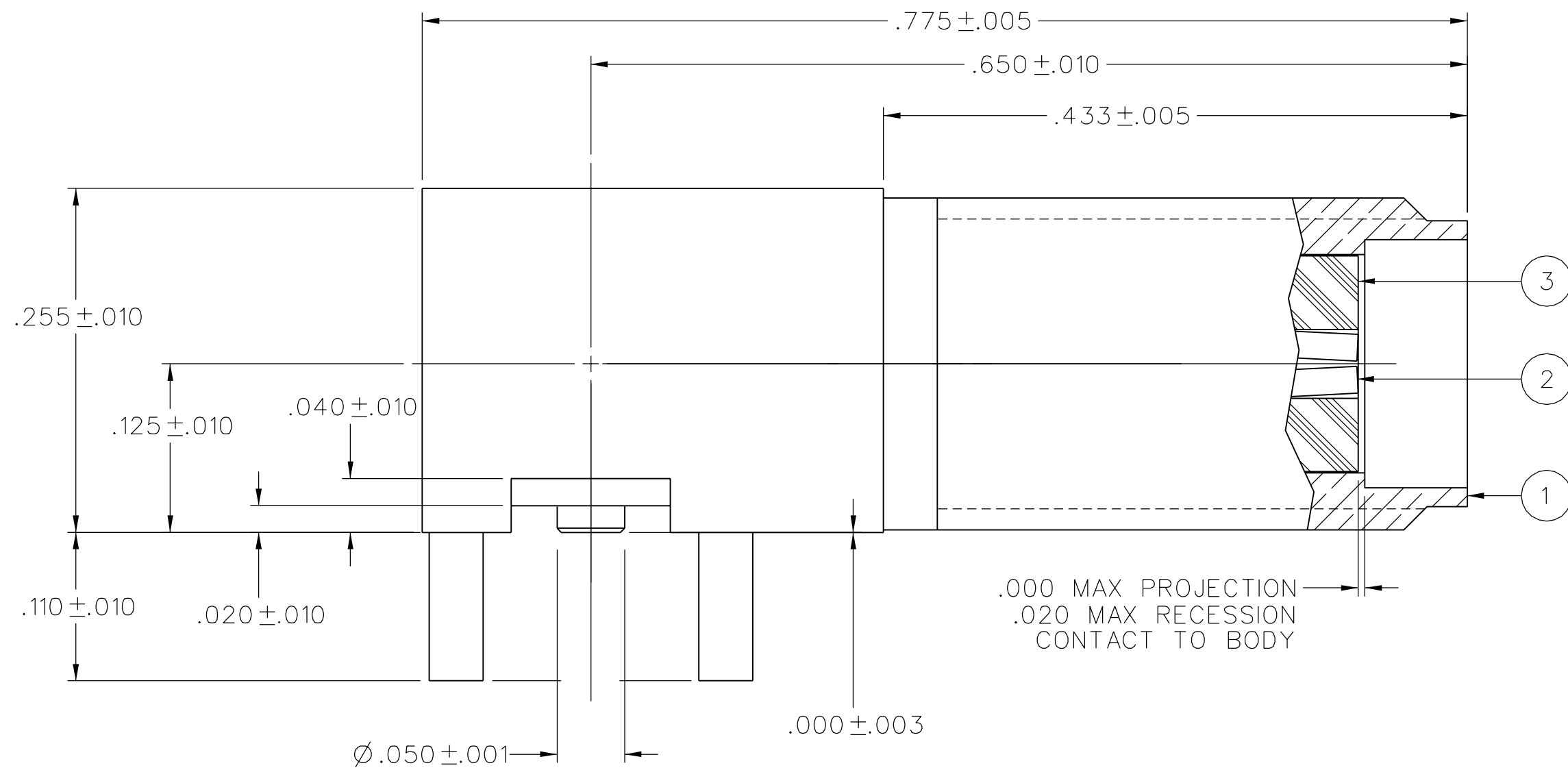
TITLE
JACK ASSEMBLY,
RA PC MOUNT BULKHEAD,
SMA

SHEET 2 OF 2
DRAWING NO. C-142-0711-531/540

TOLERANCE UNLESS OTHERWISE SPECIFIED	DRAWN BY RJB	DATE 2-11-08
DECIMALS _____ mm	CHECKED BY RJB	DATE 2-14-08
.XX _____	APPROVED BY TJS	DATE 2-14-08
.XXX _____	RELEASE DATE 2-14-08	
MATL _____	U/M INCH	SCALE 10:1
FINISH _____		

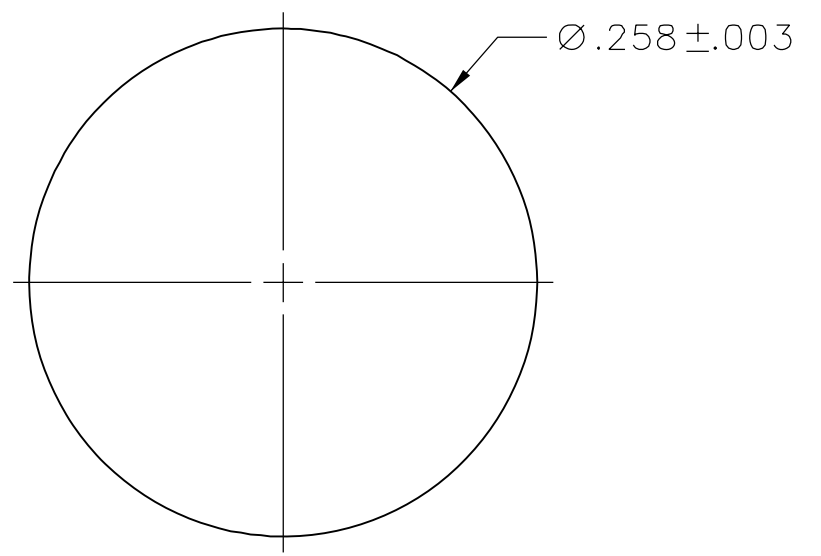


3:1



MOUNTING HOLE LAYOUT

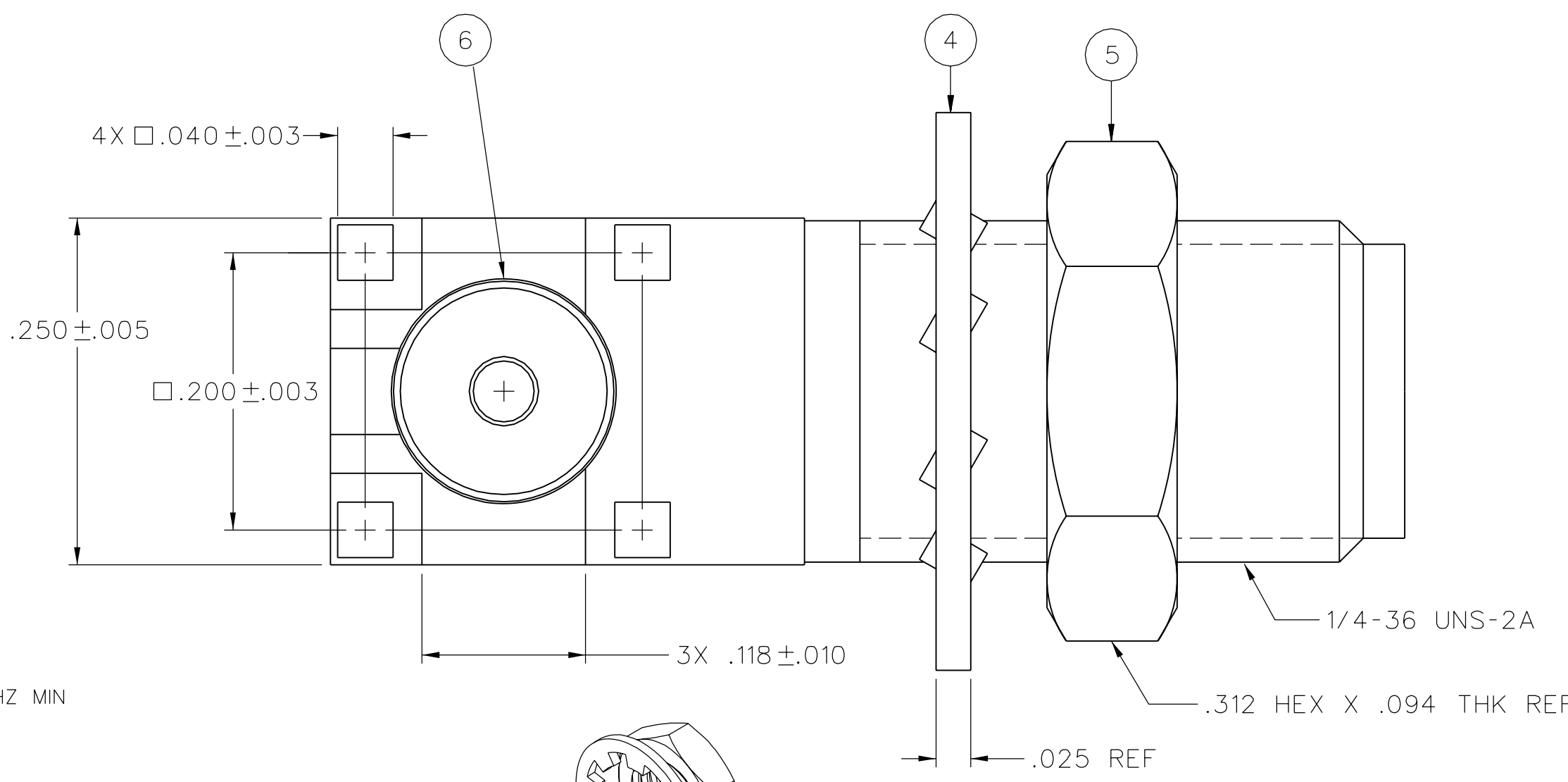
8:1



MOUNTING HOLE LAYOUT

NOTES:

- SPECIFICATIONS:
 - IMPEDANCE: 50 OHMS
 - FREQUENCY RANGE: 0-18 GHZ
 - VSWR: NOT APPLICABLE
 - WORKING VOLTAGE: 335 VRMS MAX AT SEA LEVEL
 - DIELECTRIC WITHSTANDING VOLTAGE: 1000 VRMS MIN AT SEA LEVEL
 - INSULATION RESISTANCE: 5000 MEGOHM MIN
 - CONTACT RESISTANCE:
 - CENTER CONTACT - INITIAL 3.0 MILLIOHM MAX, AFTER ENVIRONMENTAL 4.0 MILLIOHM MAX
 - OUTER CONDUCTOR - INITIAL 2.0 MILLIOHM MAX, AFTER ENVIRONMENTAL NOT APPLICABLE
 - BRAID TO BODY - NOT APPLICABLE
 - CORONA LEVEL: 250 VOLTS MIN AT 70,000 FEET
 - INSERTION LOSS: NOT APPLICABLE
 - RF LEAKAGE: NOT APPLICABLE
 - RF HIGH POTENTIAL WITHSTANDING VOLTAGE: 670 VRMS AT 4 AND 7 MHZ MIN
- MECHANICAL:
 - ENGAGE/DISENGAGE TORQUE: 2 INCH-POUNDS MAX
 - MATING TORQUE: 7-10 INCH POUNDS
 - COUPLING PROOF TORQUE: 15 INCH-POUNDS MIN
 - COUPLING NUT RETENTION: NOT APPLICABLE
 - CONTACT RETENTION: 6 LBS MIN AXIAL FORCE
 - CABLE ACCEPTABILITY: NOT APPLICABLE
 - CABLE HEX CRIMP SIZE: NOT APPLICABLE
 - CABLE RETENTION: NOT APPLICABLE
 - DURABILITY: 500 CYCLES MIN
- ENVIRONMENTAL:
 - (MEETS OR EXCEEDS THE APPLICABLE PARAGRAPH OF MIL-PRF-39012)
 - THERMAL SHOCK: MIL-STD-202, METHOD 107, CONDITION B
 - OPERATING TEMPERATURE: -65 DEG C TO 165 DEG C
 - CORROSION: MIL-STD-202, METHOD 101, CONDITION B
 - SHOCK: MIL-STD-202, METHOD 213, CONDITION I
 - VIBRATION: MIL-STD-202, METHOD 204, CONDITION D



Mouser Electronics

Authorized Distributor

Click to View Pricing, Inventory, Delivery & Lifecycle Information:

[Cinch Connectivity Solutions:](#)

[142-0711-531](#)