



DC POWER CONNECTORS: KLDPLX Series

Vertical Panel Mount DC Power Jack

Product Features

- 2.0mm and 2.5mm Pin Options
- Panel Mount
- Solder Eyelets
- Built in DC On/Off Switch
- Full metal shell for increased strength
- Locks when used with the KLDLX-P Series

Performance Specifications

Materials and Finish

- Center Pin & Threaded Barrel:** Brass, Nickel Plated
- Contact #1, #2:** Brass, Tin Plated
- Contact #3:** Phosphor Bronze, Tin Plated
- Washer:** SPCC, Nickel Plated
- Nut:** Brass, Nickel Plated

Electrical Characteristics

- Rated Current:** 3A
- Rated Voltage:** 24V DC
- Contact Resistance:** 30 milliohms Max.
- Insulation Resistance:** 100 Megohms Min. at 500V DC for 1 Minute
- Dielectric Withstanding Voltage:** 500V AC Min. for 1 Minute

Mechanical Characteristics

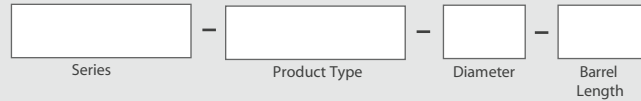
- Durability Test:** 5000 Cycles
- Insertion Force:** 3.0kg Max.
- Extraction Force:** 0.3kg Min.

2D Drawing	IGES	STEP	3D PDF
Solder Profile	CofC RoHS Compliant	CofC REACH Compliant	UL Plastic File
Certificate of Origin	Check Stock	Request a Sample	Send Us An Email

Generated Part Number



Part Number Builder



Series

KLDPLX - Panel Mount DC Power Jack

Product Type

0202 - Closed body, 2mm options

Diameter

- A** - 2.0mm Center Pin Diameter
- B** - 2.5mm Center Pin Diameter

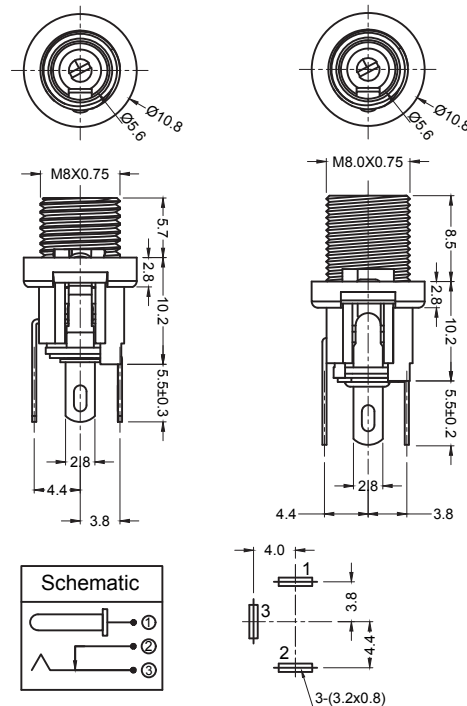
Barrel length

- Blank** - 5.7mm barrel length
- LB** - 8.5mm barrel length (Contact Kycon for more Information)

Contact Kycon For Other Options

KLDPLX Series

Dimensions in mm



Mouser Electronics

Authorized Distributor

Click to View Pricing, Inventory, Delivery & Lifecycle Information:

[Kycon:](#)

[KLDPLX-0202-A](#) [KLDPLX-0202-B](#)