

Evaluating the **ADP1764** and **ADP1765** Low V_{IN} , Low Noise, CMOS Linear Regulators

FEATURES

Full featured evaluation boards for **ADP1764** and **ADP1765**

Input voltage range: 1.10 V to 1.98 V

Output current range:

ADP1764: 0 mA to 4 A

ADP1765: 0 mA to 5 A

Evaluation available on adjustable or fixed output voltage

Convenient test points for electrical measurements

Operating temperature range: -40°C to $+125^{\circ}\text{C}$

ADDITIONAL EQUIPMENT NEEDED

Voltage source

Voltmeter

Ammeter

Electronic resistor load

GENERAL DESCRIPTION

The **ADP1764-1.0-EVALZ** and **ADP1765-1.0-EVALZ** fixed evaluation boards and the **ADP1764-ADJ-EVALZ** and **ADP1765-ADJ-EVALZ** adjustable evaluation boards demonstrate the functionality of the **ADP1764** and the **ADP1765** series of linear regulators.

Simple device measurements, such as line and load regulation, dropout voltage, and ground current, are demonstrated with only a single voltage supply, a voltmeter, an ammeter, and load resistors.

Figure 1 and Figure 2 show the **ADP1765** evaluation boards; the **ADP1764** fixed and adjustable evaluation boards are identical to the **ADP1765**.

For full details on the **ADP1764** and the **ADP1765** linear regulators, see the **ADP1764** and the **ADP1765** data sheets, which should be consulted in conjunction with this user guide when using these evaluation boards.

EVALUATION BOARD PHOTOGRAPHS

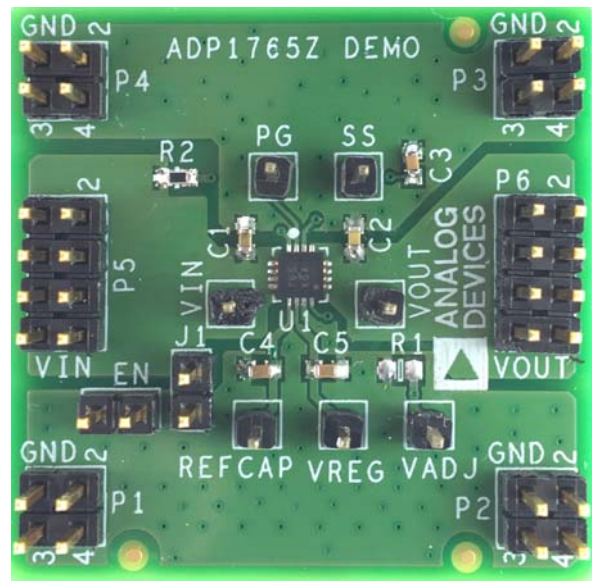


Figure 1. The **ADP1765-1.0-EVALZ** Fixed Board
(Identical to the **ADP1764-1.0-EVALZ**)

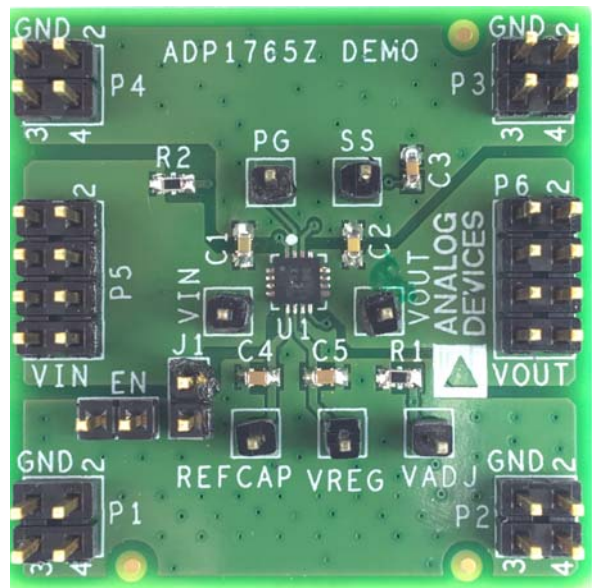


Figure 2. The **ADP1765-ADJ-EVALZ** Adjustable Board
(Identical to the **ADP1764-ADJ-EVALZ**)

TABLE OF CONTENTS

| | | | |
|---------------------------------------|---|---|---|
| Features | 1 | Load Regulation Measurements..... | 5 |
| General Description | 1 | Dropout Voltage Measurements..... | 5 |
| Evaluation Board Photographs | 1 | Ground Current Measurements..... | 5 |
| Revision History | 2 | Ground Current Consumption | 6 |
| Evaluation Board Hardware..... | 3 | Evaluation Board Schematics and Artwork | 7 |
| Evaluation Board Configurations | 3 | Ordering Information..... | 9 |
| Output Voltage Measurements | 4 | Bill of Materials..... | 9 |
| Line Regulation Measurements | 5 | | |

REVISION HISTORY

1/2017—Revision 0: Initial Version

EVALUATION BOARD HARDWARE

EVALUATION BOARD CONFIGURATIONS

The [ADP1764](#) and [ADP1765](#) evaluation boards come supplied with different components, depending on the adjustable or fixed version ordered. Components common to all versions are C1, C2, C3, C4, C5, J1, and R2. Use R1 for the [ADP1764-ADJ-EVALZ](#) and [ADP1765-ADJ-EVALZ](#) evaluation boards. Figure 9 and Figure 10 show the schematics of these evaluation board configurations, and Table 1 describes the hardware components.

The [ADP1764-ADJ-EVALZ](#) and [ADP1765-ADJ-EVALZ](#) have an output voltage range of 0.5 V to 1.5 V. The output voltage is set to 1.0 V by the external 6.8 k Ω adjust resistor.

Calculate the output voltage (V_{OUT}) by

$$V_{OUT} = A_D \times (R_{ADJ} \times I_{ADJ})$$

where:

A_D is the gain factor with a typical value of 2.99 between the VADJ pin and VOUT pin.

R_{ADJ} is the resistor connected between the VADJ pin and ground.

I_{ADJ} is the 50 μ A constant current from the VADJ pin.

The [ADP1764-1.0-EVALZ](#) and [ADP1765-1.0-EVALZ](#) fixed evaluation boards use a 1.0 V output model. Do not connect R1 for the fixed output option.

Calculate the start-up time of the regulator by

$$t_{START-UP_FIXED} = t_{DELAY} + V_{REF} \times (C_{SS}/I_{SS})$$

$$t_{START-UP_ADJ} = t_{DELAY} + V_{ADJ} \times (C_{SS}/I_{SS})$$

where:

t_{DELAY} is a fixed delay of 100 μ s.

V_{REF} is a 0.5 V internal reference for the fixed output model option.

C_{SS} is the soft start capacitance from the SS pin to GND.

I_{SS} is the current sourced from the SS pin (10 μ A).

V_{ADJ} is the voltage at the VADJ pin equal to $R_{ADJ} \times I_{ADJ}$.

Table 1. Evaluation Board Hardware Components

| Component | Description |
|-----------|--|
| U1 | ADP1764 and ADP1765 low dropout linear regulators. For the fixed output option, U1 uses the 1.0V output option of the ADP1764 and the ADP1765 . For the adjustable output option, U1 uses the adjustable option of the ADP1764 and the ADP1765 and is set to 1.0V. |
| C1 | Input bypass capacitor (C_{IN}), 22 μ F, 0603 size. |
| C2 | Output capacitor (C_{OUT}), 22 μ F, 0603 size. |
| C3 | Soft start capacitor (C_{SS}), 1000 pF, 0603 size. (not installed in the evaluation board) |
| C4 | Regulator capacitor (C_{REG}), 1 μ F, 0603 size. |
| C5 | Reference capacitor (C_{REG}), 1 μ F, 0603 size. |
| J1 | Jumper (connects EN to VIN for automatic startup) |
| R1 | Adjust resistor (R_{ADJ}) used to set the output voltage of the adjustable version of the ADP1764 and the ADP1765 . |
| R2 | Pull-up resistor ($R_{PULL-UP}$) used for the open-drain PG output pin. |

OUTPUT VOLTAGE MEASUREMENTS

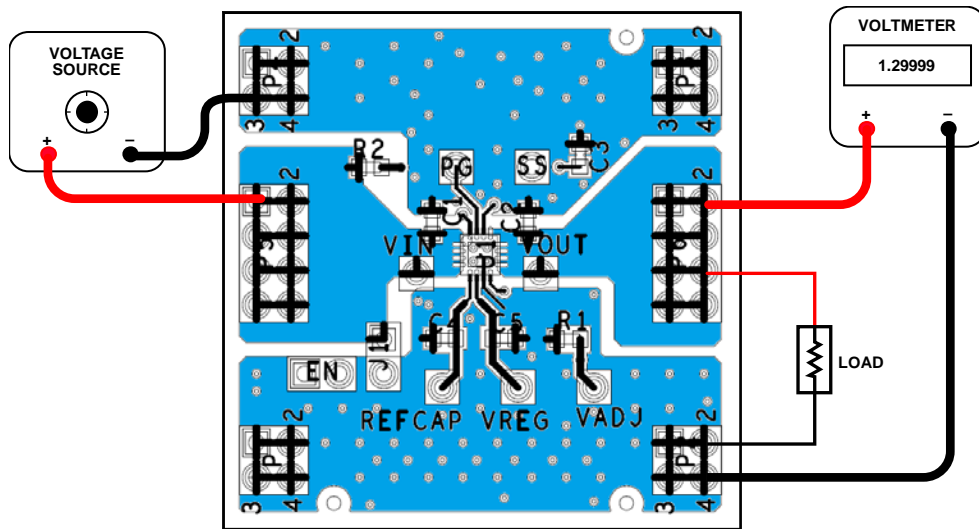


Figure 3. Output Voltage Measurement Setup

Figure 3 shows how the evaluation boards can be connected to a voltage source and a voltmeter for basic output voltage accuracy measurements.

A resistor can be used as the load for the regulator. Ensure that the resistor has a power rating that is adequate to handle the power expected to dissipate across it. Use an electronic load as an alternative. Ensure the voltage source can supply enough current for the expected load levels.

Follow these steps to connect the evaluation board to a voltage source and voltmeter:

1. Connect the negative terminal of the voltage source to one of the GND pads on the evaluation board.
2. Connect the positive terminal of the voltage source to the VIN pad on the evaluation board.

3. Connect a load between the VOUT pad and one of the GND pads on the evaluation board.
4. Connect the negative terminal of the voltmeter to one of the GND pads on the evaluation board.
5. Connect the positive terminal of the voltmeter to the VOUT pad on the evaluation board.

When these steps are completed, the voltage source can be turned on. If J1 is inserted (connecting EN to VIN for automatic startup), the regulator powers up.

If the load current is large, the user must connect the voltmeter as close as possible to the output capacitor to reduce the effects of ohmic voltage drops (IR).

LINE REGULATION MEASUREMENTS

For line regulation measurements, the change in the output of the regulator is measured when the input is varied. For good line regulation, the output must change as little as possible with varying input levels. To ensure that the device is not in dropout mode during line regulation measurement, V_{IN} must be varied between $V_{OUT} + 0.2\text{ V}$ (or 1.1 V , whichever is greater) and 1.98 V . For example, for an ADP1764 or an ADP1765 device with a fixed 1.3 V output, V_{IN} must be varied between 1.5 V and 1.98 V . This measurement can be repeated under different load conditions. Figure 4 shows the typical line regulation performance of an ADP1764 and an ADP1765 with a fixed 1.3 V output.

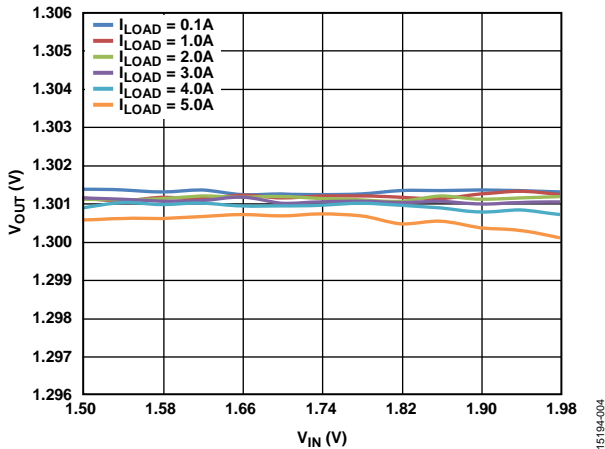


Figure 4. Output Voltage vs. Input Voltage at $V_{OUT} = 1.3\text{ V}$, $T_A = 25^\circ\text{C}$

LOAD REGULATION MEASUREMENTS

For load regulation measurements, the output of the regulator is monitored while the load is varied. For good load regulation, the output must change as little as possible with varying load. The input voltage must be held constant during load regulation measurement. The load current can be varied from 0 mA to 4 A for the ADP1764 and 0 mA to 5 A for the ADP1765. Figure 5 shows the typical load regulation performance of an ADP1764 and an ADP1765 with a fixed 1.3 V output for an input voltage of 1.5 V .

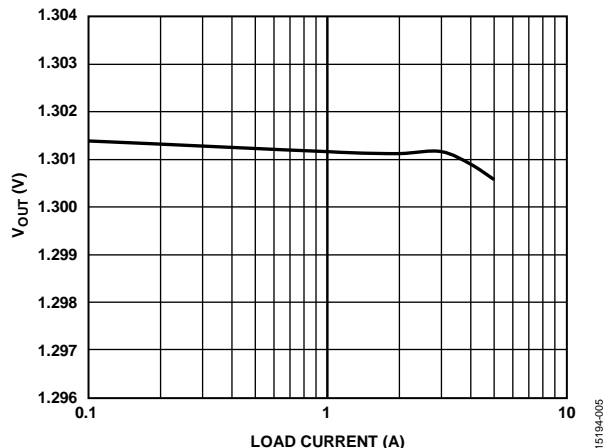


Figure 5. Output Voltage vs. Load Current at $V_{IN} = 1.5\text{ V}$, $V_{OUT} = 1.3\text{ V}$, $T_A = 25^\circ\text{C}$

DROPOUT VOLTAGE MEASUREMENTS

The dropout voltage can be measured using the configuration shown in Figure 3. Dropout voltage is defined as the input to output voltage differential when the input voltage is set to the nominal output voltage. The ADP1764 and the ADP1765 only enter dropout mode for output voltages of at least 1.2 V . For lower voltage outputs, the ADP1764 and the ADP1765 enter undervoltage lockout and shut down. The dropout voltage increases with larger loads.

For accurate measurements, use a second voltmeter to monitor the input voltage across the input capacitor. The input supply voltage may need adjusting to account for IR drops, especially when using large load currents. Figure 6 shows the typical curve of dropout voltage measurements with different load currents.

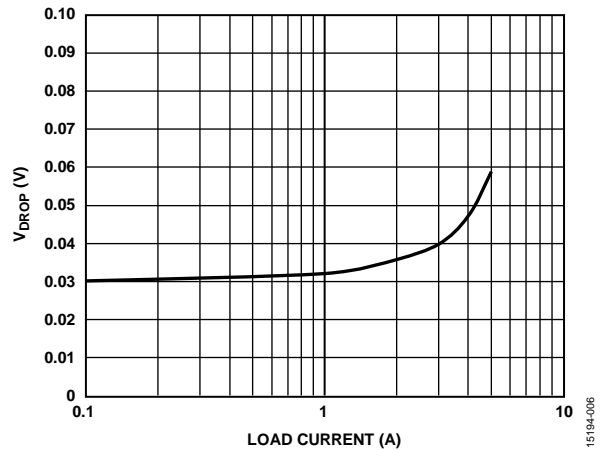


Figure 6. Dropout Voltage vs. Load Current, $V_{OUT} = 1.3\text{ V}$, $T_A = 25^\circ\text{C}$

GROUND CURRENT MEASUREMENTS

Figure 8 shows how the ADP1764 and ADP1765 evaluation boards can connect to a voltage source and an ammeter for ground current measurements.

A resistor can be used as the load for the regulator. Ensure the resistor has a power rating that is adequate to handle the power expected to be dissipated across it. Use an electronic load as an alternative. Ensure that the voltage source can supply enough current for the expected load levels.

Follow these steps to connect the evaluation board to a voltage source and ammeter:

1. Connect the positive terminal of the voltage source to the VIN pad on the evaluation board.
2. Connect the positive terminal of the ammeter to one of the GND pads on the evaluation board.
3. Connect the negative terminal of the ammeter to the negative terminal of the voltage source.
4. Connect a load between the VOUT pad on the evaluation board and the negative terminal of the voltage source.

When these connection steps are completed, the voltage source can be turned on. If J1 is inserted (connecting EN to VIN for automatic startup), the regulator powers up.

GROUND CURRENT CONSUMPTION

Ground current measurements can determine how much current the internal circuits of the regulator consume while the circuits perform the regulation function. To be efficient, the regulator must consume as little current as possible. Typically, the regulator uses the maximum current when supplying its largest load level (4 A for the ADP1764 and 5 A for the ADP1765). Figure 7 shows the typical ground current consumption for various load levels at $V_{OUT} = 1.3\text{ V}$ and $T_A = 25^\circ\text{C}$.

When the device is disabled ($EN = \text{GND}$), the ground current drops to less than $2\ \mu\text{A}$.

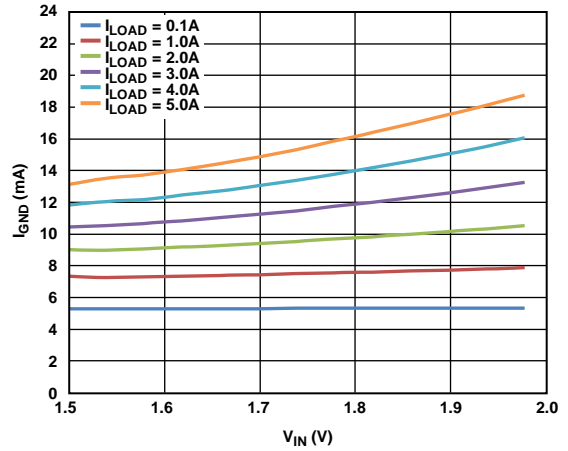


Figure 7. Ground Current vs. Input Voltage, $V_{OUT} = 1.3\text{ V}$, $T_A = 25^\circ\text{C}$

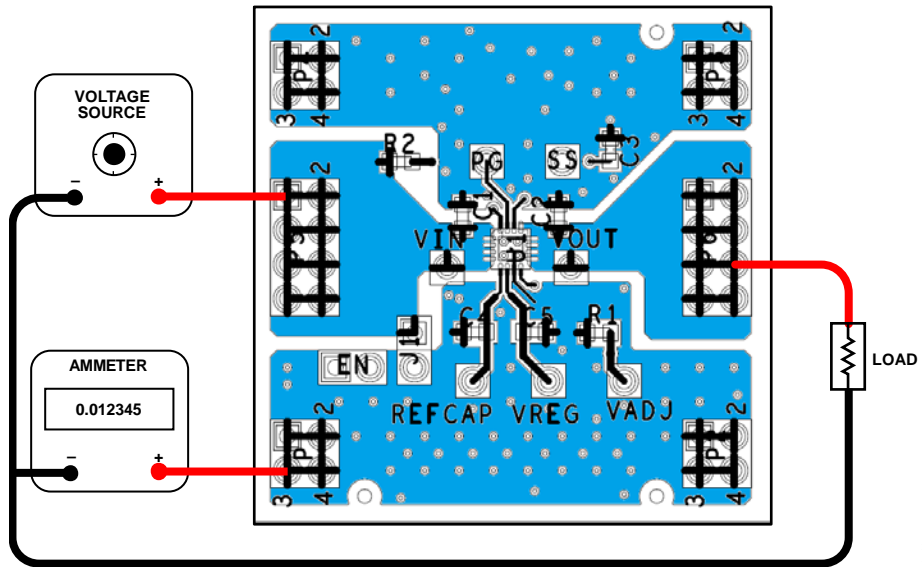


Figure 8. Ground Current Measurement Setup

EVALUATION BOARD SCHEMATICS AND ARTWORK

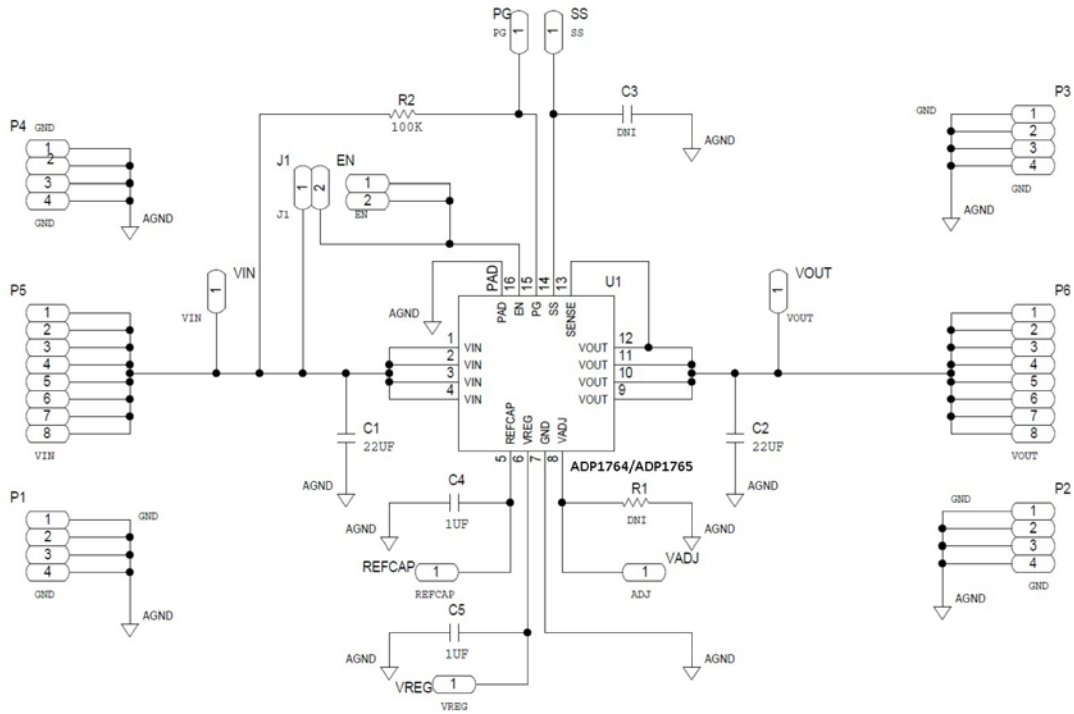


Figure 9. Fixed Output Schematic

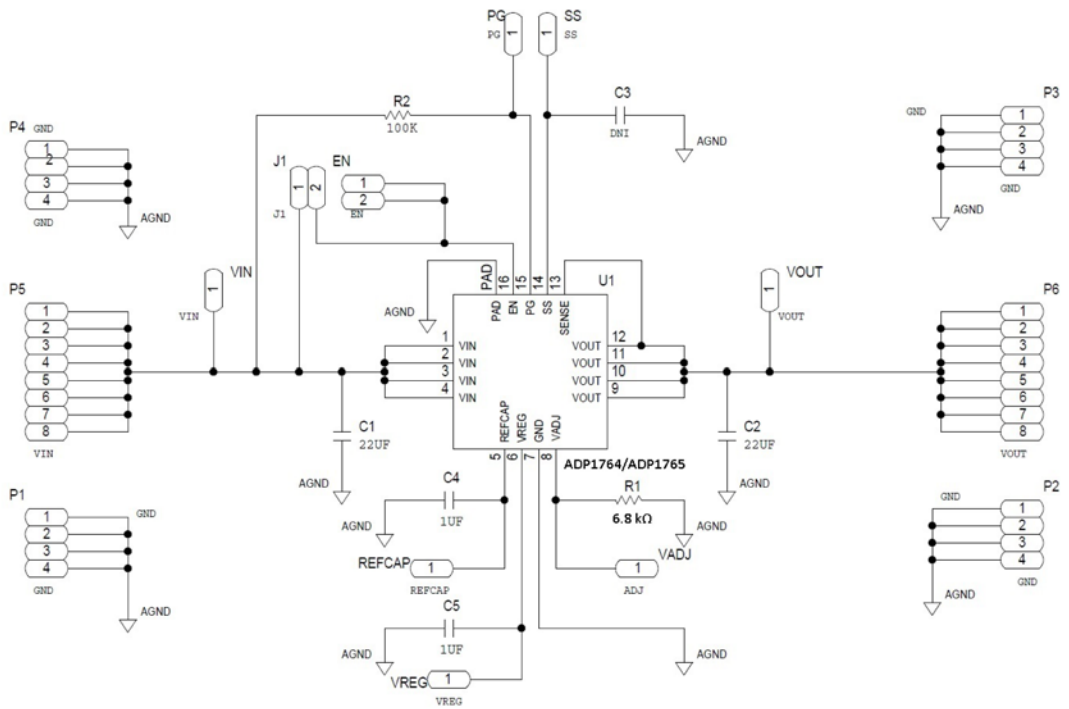


Figure 10. Adjustable Output Schematic

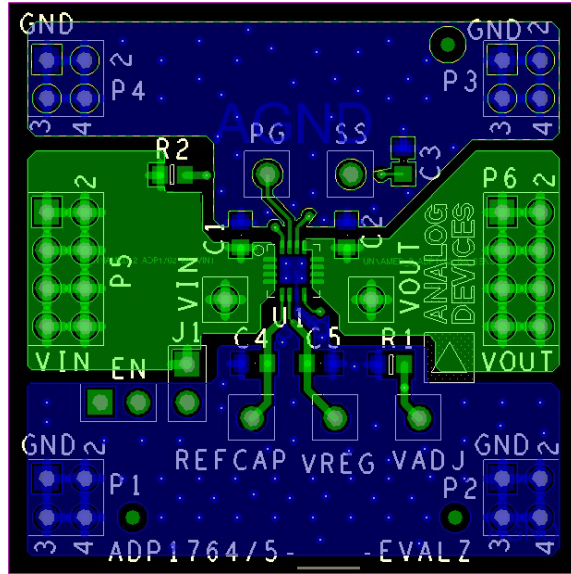


Figure 11. Top Layer

15194-01

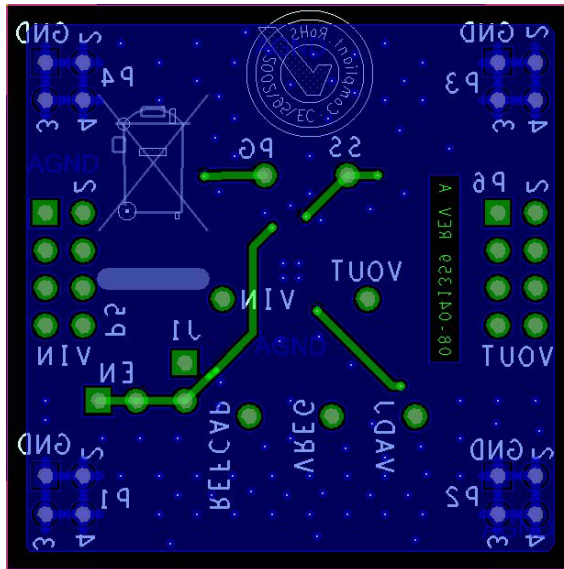


Figure 12. Bottom Layer

15194-012

ORDERING INFORMATION

BILL OF MATERIALS

Table 2.

| Reference Designator | Description | Manufacturer | Part Number |
|----------------------|---|------------------------|--|
| C1, C2 | Capacitors, MLCC, 22 μ F, 10 V, 0603, X5R | Murata (or equivalent) | GRM188R61A226ME15D |
| C3 ¹ | Capacitor, MLCC, 1000 pF, 100 V, 0603, X7R | Murata (or equivalent) | GRM188R72A102KA01D |
| C4, C5 | Capacitors, MLCC, 1 μ F, 10 V, 0603, X7R | Murata (or equivalent) | GRM188R71A105KA61D |
| J1 | Header/jumper, single, STR, two pins | FCI | 69157-102HLF |
| R1 | Resistor, 0603, 6.8 k Ω , 1% tolerance (do not install on the fixed model) | Any manufacturer | Depends on manufacturer |
| R2 | Resistor, 0603, 100 k Ω , 1% tolerance | Any manufacturer | Depends on manufacturer |
| U1 | IC, low input, low dropout regulators, including the following devices: | Analog Devices, Inc. | ADP1764ACPZ-1.0-R7 ADP1765ACPZ-1.0-R7 ADP1764ACPZ-R7 ADP1765ACPZ-R7 |

¹ Not installed in the evaluation board.



ESD Caution

ESD (electrostatic discharge) sensitive device. Charged devices and circuit boards can discharge without detection. Although this product features patented or proprietary protection circuitry, damage may occur on devices subjected to high energy ESD. Therefore, proper ESD precautions should be taken to avoid performance degradation or loss of functionality.

Legal Terms and Conditions

By using the evaluation board discussed herein (together with any tools, components documentation or support materials, the "Evaluation Board"), you are agreeing to be bound by the terms and conditions set forth below ("Agreement") unless you have purchased the Evaluation Board, in which case the Analog Devices Standard Terms and Conditions of Sale shall govern. Do not use the Evaluation Board until you have read and agreed to the Agreement. Your use of the Evaluation Board shall signify your acceptance of the Agreement. This Agreement is made by and between you ("Customer") and Analog Devices, Inc. ("ADI"), with its principal place of business at One Technology Way, Norwood, MA 02062, USA. Subject to the terms and conditions of the Agreement, ADI hereby grants to Customer a free, limited, personal, temporary, non-exclusive, non-sublicensable, non-transferable license to use the Evaluation Board FOR EVALUATION PURPOSES ONLY. Customer understands and agrees that the Evaluation Board is provided for the sole and exclusive purpose referenced above, and agrees not to use the Evaluation Board for any other purpose. Furthermore, the license granted is expressly made subject to the following additional limitations: Customer shall not (i) rent, lease, display, sell, transfer, assign, sublicense, or distribute the Evaluation Board; and (ii) permit any Third Party to access the Evaluation Board. As used herein, the term "Third Party" includes any entity other than ADI, Customer, their employees, affiliates and in-house consultants. The Evaluation Board is NOT sold to Customer; all rights not expressly granted herein, including ownership of the Evaluation Board, are reserved by ADI. CONFIDENTIALITY. This Agreement and the Evaluation Board shall all be considered the confidential and proprietary information of ADI. Customer may not disclose or transfer any portion of the Evaluation Board to any other party for any reason. Upon discontinuation of use of the Evaluation Board or termination of this Agreement, Customer agrees to promptly return the Evaluation Board to ADI. ADDITIONAL RESTRICTIONS. Customer may not disassemble, decompile or reverse engineer chips on the Evaluation Board. Customer shall inform ADI of any occurred damages or any modifications or alterations it makes to the Evaluation Board, including but not limited to soldering or any other activity that affects the material content of the Evaluation Board. Modifications to the Evaluation Board must comply with applicable law, including but not limited to the RoHS Directive. TERMINATION. ADI may terminate this Agreement at any time upon giving written notice to Customer. Customer agrees to return to ADI the Evaluation Board at that time. LIMITATION OF LIABILITY. THE EVALUATION BOARD PROVIDED HEREUNDER IS PROVIDED "AS IS" AND ADI MAKES NO WARRANTIES OR REPRESENTATIONS OF ANY KIND WITH RESPECT TO IT. ADI SPECIFICALLY DISCLAIMS ANY REPRESENTATIONS, ENDORSEMENTS, GUARANTEES, OR WARRANTIES, EXPRESS OR IMPLIED, RELATED TO THE EVALUATION BOARD INCLUDING, BUT NOT LIMITED TO, THE IMPLIED WARRANTY OF MERCHANTABILITY, TITLE, FITNESS FOR A PARTICULAR PURPOSE OR NON-INFRINGEMENT OF INTELLECTUAL PROPERTY RIGHTS. IN NO EVENT WILL ADI AND ITS LICENSORS BE LIABLE FOR ANY INCIDENTAL, SPECIAL, INDIRECT, OR CONSEQUENTIAL DAMAGES RESULTING FROM CUSTOMER'S POSSESSION OR USE OF THE EVALUATION BOARD, INCLUDING BUT NOT LIMITED TO LOST PROFITS, DELAY COSTS, LABOR COSTS OR LOSS OF GOODWILL. ADI'S TOTAL LIABILITY FROM ANY AND ALL CAUSES SHALL BE LIMITED TO THE AMOUNT OF ONE HUNDRED US DOLLARS (\$100,000). EXPORT. Customer agrees that it will not directly or indirectly export the Evaluation Board to another country, and that it will comply with all applicable United States federal laws and regulations relating to exports. GOVERNING LAW. This Agreement shall be governed by and construed in accordance with the substantive laws of the Commonwealth of Massachusetts (excluding conflict of law rules). Any legal action regarding this Agreement will be heard in the state or federal courts having jurisdiction in Suffolk County, Massachusetts, and Customer hereby submits to the personal jurisdiction and venue of such courts. The United Nations Convention on Contracts for the International Sale of Goods shall not apply to this Agreement and is expressly disclaimed.

©2017 Analog Devices, Inc. All rights reserved. Trademarks and registered trademarks are the property of their respective owners.
UG15194-0-1/17(0)



www.analog.com

Mouser Electronics

Authorized Distributor

Click to View Pricing, Inventory, Delivery & Lifecycle Information:

[Analog Devices Inc.:](#)

[ADP1764-1.0-EVALZ](#) [ADP1764-ADJ-EVALZ](#) [ADP1765-ADJ-EVALZ](#) [ADP1765-1.0-EVALZ](#)